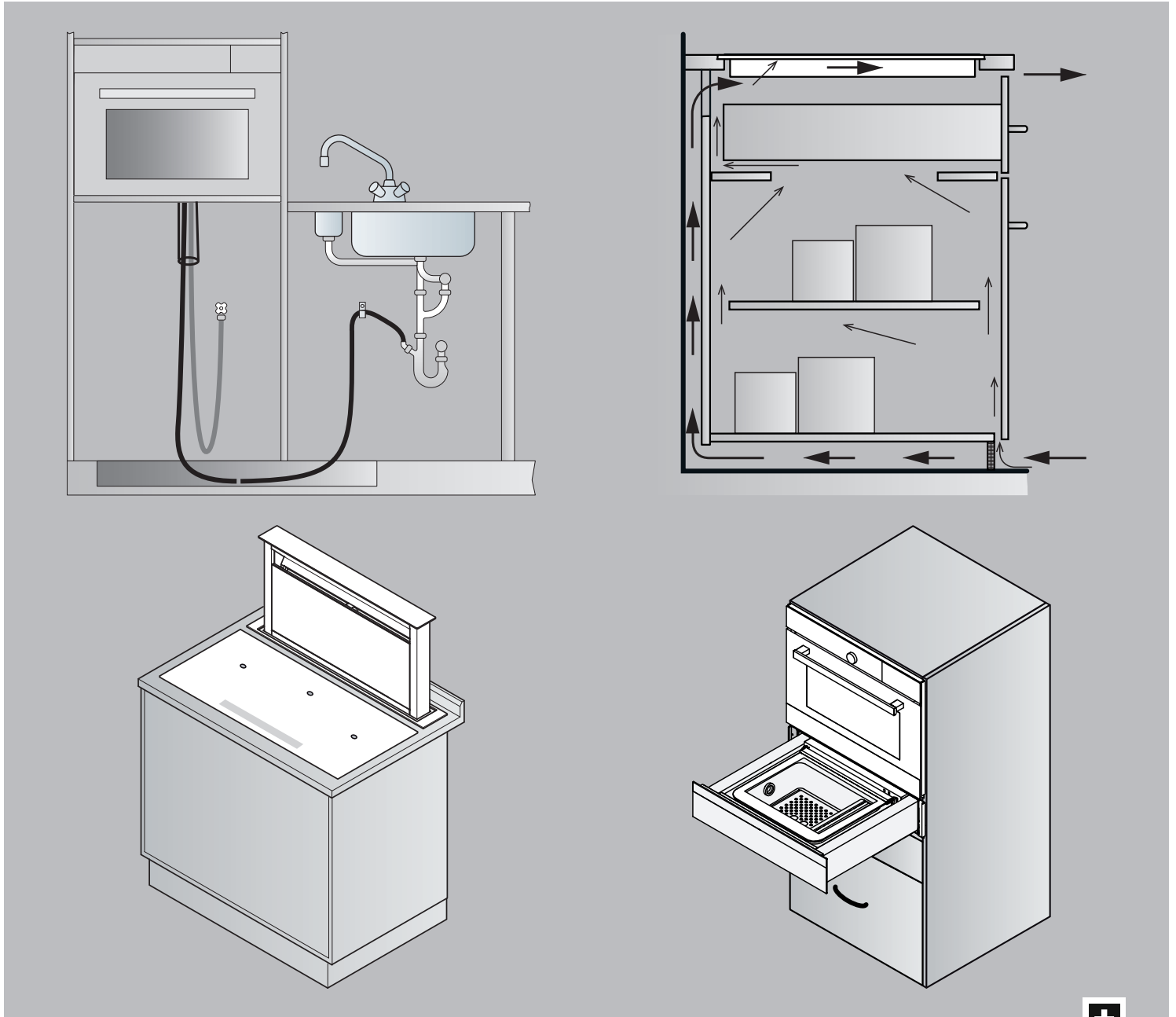




Swiss perfection for your home



Planning aid

International collection

Kitchen appliances

2019



Note on content

Please note

This planning aid applies to the specified model numbers only. Older planning aids for earlier generation models may be requested in electronic form from our Customer Services.

This planning aid is not to be used as installation instructions! The regulations and instructions binding for the appliance installation are to be obtained from the installation instructions packed with the appliances. The installation instructions can also be downloaded from the internet from www.vzug.com/b2b.

Modifications

Text, diagrams and data correspond to the technical standard of the appliances at the time this planning aid went to press. The right to make technical modifications for the purpose of the further development of the appliances is reserved. The German, English, French and Italian versions are binding. V-ZUG accepts no liability for translations in other languages.

Symbols used



Denotes important safety precautions.

Failure to observe said precautions can result in injury or in damage to the appliance or fittings!

► Indicates an instruction.

• Indicates a list.



Information and precautions that should be observed.



Extraction



Recirculation

Supplementary documents

In this planning aid, occasional reference is made to supplementary documents. These documents can be requested from the Head Office in Zug by sending an e-mail to service-support@vzug.com.

Useful links

- www.vzug.com
- www.vzug.com/b2b
- www.lifestyle.vzug.com

Key to country groups

Country group	Country code (in accordance with ISO 3166)	Country group	Country code (in accordance with ISO 3166)
A	EU European Union TR Turkey IL Israel LB Lebanon	D	AU Australia NZ New Zealand
B	GB Great Britain	E	RU Russia UA Ukraine
C	HK Hong Kong SG Singapore	F	CN China



Contents

1	Overview of connections, ranges and dimensions	5
1.1	General operating conditions	5
1.2	Using residual current devices in house wiring system / fault current.....	5
1.3	Validity.....	6
1.4	Positions of electrical connections	8
1.5	Built-in EURO.....	9
1.6	Front dimensions of the appliances	10
2	Steam cookers	11
2.1	General notes.....	11
2.2	Electrical connection data	11
2.3	Air circulation diagram for Combi-Steam MSLQ	11
2.4	Combi-Steam MSLQ (23015/23073).....	12
2.5	Combi-Steam SL (23012/23013/23070/23071), SE (23010), Steam XSL (23081)	12
2.6	Combi-Steam HSL (23004).....	13
2.7	Steam HSE (23002).....	13
2.8	Combi-Steam XSL (23005/23006/23065/23066)	13
2.9	Combi-Steam XSLF (23007/23008/23067).....	14
3	Ovens	17
3.1	General notes.....	17
3.2	Electrical connection data	17
3.3	Combi XSL (21023/21030/21101), XSE (21017), XSLP (21028/21063/21099), XSEP (21027)	17
3.4	Combi SL (21022/21029/21098), SE (21016/21060), SLP (21025/21062/21096), SEP (21019).....	17
4	Vacuum drawer, warming drawers & system drawers	18
4.1	General notes.....	18
4.2	Electrical connection data	18
4.3	Vacuum drawers	19
4.4	Warming drawers	20
4.5	System drawers	22
5	Microwaves	23
5.1	General notes.....	23
5.2	Electrical connection data	23
5.3	Miwell HSL (24006).....	24
5.4	Miwell-Combi XSL (24009)	24
6	Coffee-Centers	25
6.1	General notes.....	25
6.2	Electrical connection data	25
6.3	Supremo XSL (25004)	25
7	Combination possibilities	26
7.1	Oven & steam cooker.....	26
7.2	Oven & microwave	28
7.3	Oven & coffee-center	29
8	Glass ceramic hobs – induction, wok, teppanyaki	30
8.1	General notes.....	30
8.2	OptiGlass coating	30
8.3	Electrical connection data	30
8.4	Ventilation	31
8.5	Induction hob with integrated range hood	32
8.6	Surface-mounted installation with «DualDesign».....	40
8.7	Flush installation with «DualDesign».....	46
8.8	Installation without protective plate	53
8.9	Installation with protective plate	55
8.10	Installing above oven / steam cooker.....	58
9	Gas hobs	59
9.1	Electrical connection data	59
9.2	Gas connection	60
9.3	Ventilation	61



9.4	Setting up appliance to use local gas type	62
9.5	Surface-mounted installation with «DualDesign»	63
9.6	Flush installation with «DualDesign»	66
10	Combined hob installation	69
10.1	Surface-mounted combination	69
10.2	Examples of surface-mounted combinations	70
10.3	Flush combination	71
10.4	Examples of flush combinations	72
11	Range hoods	73
11.1	General notes	73
11.2	Special hoods	74
11.3	Island hoods	87
11.4	Wall hoods	88
11.5	Built-in hoods	90
12	Dishwashers	98
12.1	General notes	98
12.2	Electrical connection data / plumbing in	98
12.3	Installation overview	101
12.4	Drilling plans for decor panel 60 cm	102
12.5	Adora SL, S, N with niche width 60 cm	102
13	Dishwashers with heat pump	107
13.1	General notes	107
13.2	Electrical connection data / plumbing in	107
13.3	Installation summary	109
13.4	Drilling plans for decor panel 60 cm	109
13.5	Adora SL WP with niche width 60 cm	110
14	Adorina dishwashers	113
14.1	Electrical connection data / plumbing in	113
14.2	Adorina with niche width 60 cm	115
15	Refrigerators	116
15.1	General notes	116
15.2	Electrical connection data	116
15.3	Ambient conditions	116
15.4	Niche ventilation	117
15.5	Refrigerators	118
15.6	Wincoolers	119
15.7	Freezers	120
15.8	FoodCenter	121
16	Accessories	122
16.1	Ovens / steam cookers / microwaves / coffee machines / vacuum drawers / warming drawers / system drawers	122
16.2	Hobs and gas hobs	124
16.3	Range hoods	126
16.4	Dishwashers	138
16.5	Refrigerators	138
17	Notes	141

1 Overview of connections, ranges and dimensions



Electrical connections must be carried out by qualified experts in accordance with the guidelines and standards for low-voltage installations and the specifications of the local electricity supply companies.

A plug-in appliance may only be connected to a socket outlet with earthing contact, installed according to specifications. An all-pole mains isolating device with 3 mm contact opening should be provided in the house wiring system. Switches, plug and socket devices, circuit breakers and fusible cut-outs which are accessible after installation and which have all-poles switching are permissible as isolating devices. Effective earthing and separately installed neutral and earth conductors ensure safe and fault-free operation. After installation, live parts and cables with basic insulation must not be accessible. Check old installations.

1.1 General operating conditions



Detailed information on the electrical connection data can be found at the beginning of each section.

Value	Nominal value	Minimum	Maximum
Voltage	230 V	207 V	253 V
Voltage	400 V	360 V	440 V
Frequency	50 Hz sinusoidal	49 Hz sinusoidal	51 Hz sinusoidal

- Short duration frequency variation in the mains: $\pm 5\%$
- Long duration frequency stability in the mains (for synchronous clocks): ± 10 ppm
- If used at an altitude of over 2,000 metres, a reduced performance must be expected.

1.2 Using residual current devices in house wiring system / fault current

High fault currents are inherently present in ovens and hobs. The values can be affected by various factors and vary widely. Fault currents of up to approximately 10 mA per appliance are permissible in accordance with the norm. The values are measured in the warm operating state.

If residual current devices (RCDs) are used in the house wiring system, we recommend that the above-mentioned appliances have their own RCD protection, separate from the power supply for the rest of the system. 30 mA or higher should be selected as the tripping current for the residual current device.



1.3 Validity

The model number corresponds to the first alphanumeric of the serial number SN (or FN) on the identification plate.

Product	Model number	Product	Model number
Steam cookers		Microwaves	
Combair-Steam SE	23010	Miwell HSL	24006
Combair-Steam SL	23012/23013/23070/23071	Miwell-Combi XSL	24009
Combi-Steam HSL	23004		
Combi-Steam MSLQ	23015/23073	Coffee-Center	
Combi-Steam XSL	23005/23006/23065/23066	Supremo XSL	25004
Combi-Steam XSLF	23007/23008/23067		
Steam HSE	23002	Glass ceramic hobs – induction	
Steam cooker XSL	23081	CookTopInduction V4000	31115
		CookTopInduction V4000	31116
Ovens		CookTopInduction V6000	31114
Combair SE	21016/21060	GK11TIFKZ	31062
		GK11TIXFKZ	31093
Combair SEP	21019	GK16TIWSZ	31088
Combair SL	21022/21029/21061/21098	GK17TIYSZ	31076
Combair SLP	21025/21062/21096	GK26TIMSZ	31084
Combair XSE	21017	GK27TIMSZ	31085
Combair XSEP	21027	GK46TIGZ	31078
Combair XSL	21023/21030/21101	GK46TIMASCO, GK46TI-MASZO	31091
Combair XSLP	21028/21063/21099	GK46TIMGC, GK46TIMGZ	31090
		GK46TIMPSZ	31080
Vacuum drawers		GK46TIMSZO	31086
VS60144	36001	GK47TIMPSZ	31079
VS60144 fully integrated	36003	GK57TIMSZO	31082
		GKD46TIMASZO	31094
Warming drawers		GK11TIXFKZ	31093
WS60144	34017		
WS60220	34019	Gas hobs	
WS60283	34020	GAS311GKBZ	31073
WS60312	34021	GAS321GKBZ	31074
WS60144 fully integrated	34022	GAS411GSAZ/GSBZ	31063
		GAS421GSAZ/GSBZ	31064
System drawers		GAS641GSAZ/GSBZ	31071
SYS60144	35001	GAS731GKBZ	31075
		GAS951GSAZ/GSBZ	31072



Product	Model number	Product	Model number
Special hoods		Dishwashers	
DSMS	64005	GS Adora N	41075, 41077
DSTS9	64004	GS Adora S	41079, 41080
		GS Adora SL	41059, 41061, 41086
Island hoods		GS Adora SL WP	41082
AiroClearIsland V6000	63020	GS Adorina 60 Vi	41087
DIPQ12	63016		
		Refrigerators	
		CombiCooler V4000	51086, 51087
Wall hoods		Jumbo 60i	51078
DWQS9	62021	Jumbo T	51092
AiroClearWall V6000	62028	Prestige	51044
DWPQ9	62022	Prestige T	51081
AiroClearWall V6000	62029		
DWPQ12	62023	Winecoolers	
		Winecooler UC SL 60i	51073
Built-in range hoods		Winecooler 90 SL 60	51082
AiroClearCabinet V6000	61058		
DFPQSL6	61037	Freezers	
AiroClearCabinet V6000	61060	Iglu 60i	51077
DFPQSL9	61038	Iglu T	51091
DFSG6	61031		
DFSG9	61033	FoodCenter	
DHL8	64001	Polaris S	52001, 52003
DHL11	64002		

1.4 Positions of electrical connections

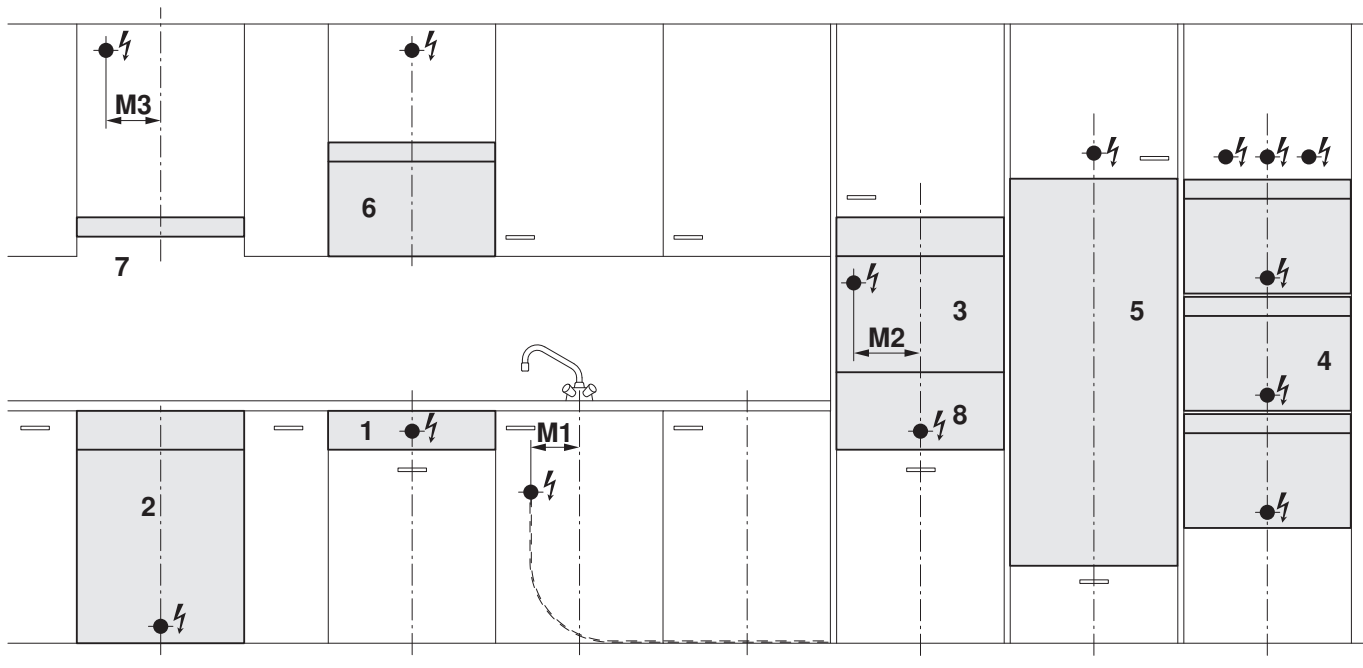
For EURO kitchens, allowance from the floor can vary. In this case, the electrical connection should be calculated using the dimension from the bottom edge of the appliance.

Oven above an oven

With this combination, an electrical connection should be provided for each appliance. Depending on the installation height and the type of combination, the connections may be located at different heights.

Wall hoods with telescopic casing

The electrical connection must pass between the exhaust air piping and the lagging sheets. The measurements given in the table ensure that this condition is met.



- 1 Wide switch box / control box / autarchic hob
- 2 Refrigerator in base unit / dishwasher
- 3 Oven/coffee-center
- 4 Combinations (oven / steam cooker / microwave)
- 5 Refrigerator, winecooler in tall unit
- 6 Microwave in wall unit
- 7 Range hood
- 8 Drawers (warming drawer / vacuum drawer / system drawer)

M1 Distance from centre to dishwasher/refrigerator connection in base unit

M2 Distance from centre to coffee-center connection

M3 Distance from centre to range hood connection



Provide additional clearance for electrical connections if the installation niche has only the minimum depth.



1.5 Built-in EURO

No.	Designation	Connection from appliance support	Connection in niche	Type of connection
1	Oven, steam cooker (height 600 mm)	max. 30 mm (plinth height 100 mm)	Centre	I
2	Control box, autarchic hob	–	Centre	I
3	Dishwashers	–	M1 = 160 mm	U
	Refrigerator in base unit	–	M1 = 160 mm	U
4	Oven, steam cooker (height 600 mm)	max. 30 mm	Centre	I
	Oven, steam cooker (height 380 mm / 450 mm)	max. 30 mm	Centre	I
	Microwave (height 380 mm)	max. 300 mm	Centre	I, U
	Microwave (height 450 mm)	max. 400 mm	Centre	I
	Coffee-Center	max. 300 mm	M2 = 225 mm	I, U
5	Double combination (height 600 mm) Triple combination variants	max. 30 mm	Centre	I, U
6	Refrigerator, winecooler in tall unit up to and including 12/6, EURO 1530 mm	–	Centre	U
	Refrigerator in tall unit from 13/6, EURO 1540 mm			
7	Microwave in wall unit	–	Centre	U
8	Warming drawer, vacuum drawer	–	Centre	U

I See separate installation instructions

M1 Distance from centre to dishwasher/refrigerator connection in base unit

M2 Distance from centre to coffee-center connection

U Flush power socket 230 V

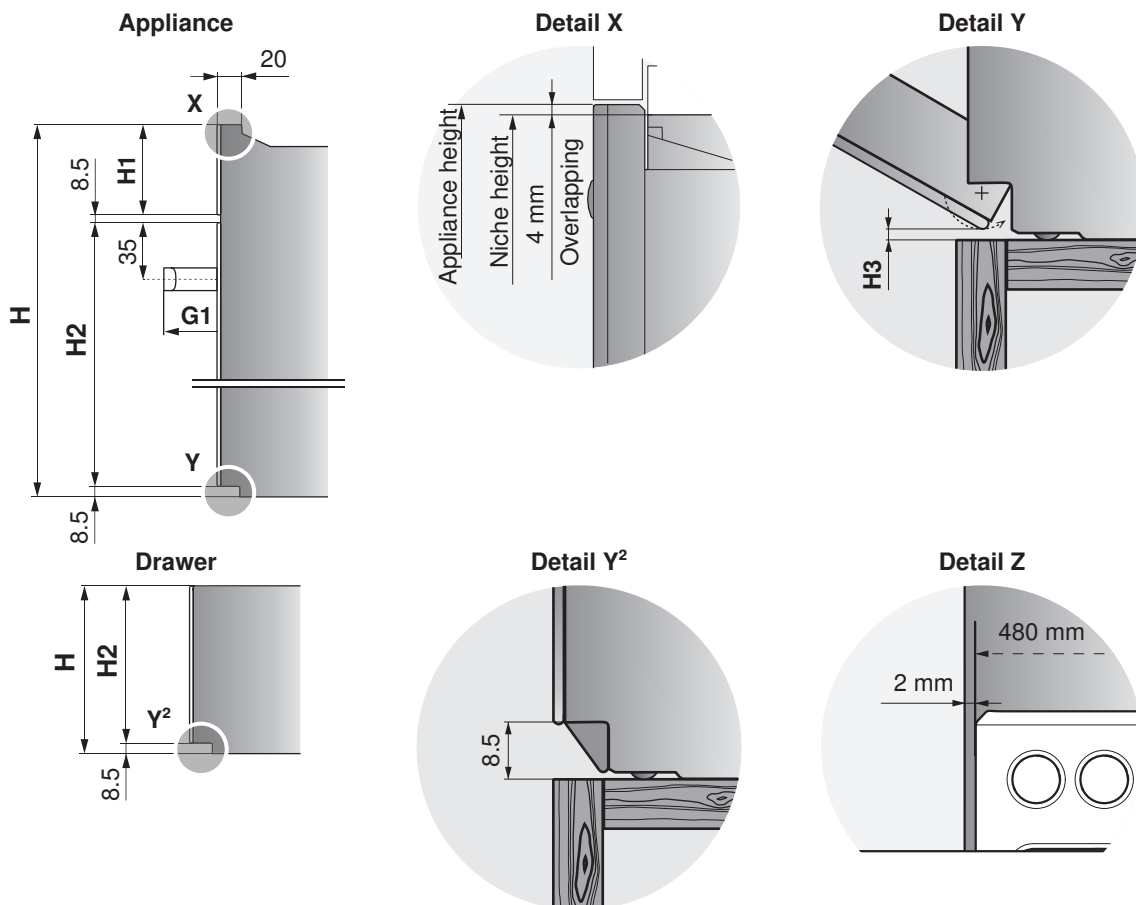
1.6 Front dimensions of the appliances



Manufacturing tolerance: ± 1 mm

Appliance height H	Panel height H1	Door glass height H2	Designer handle G1*	Handle length / hole distance
598	124	457.5	43	445/383
454	80	357.5		
378	50	311.5		
310	-	301.5	-	-
281		272.5		
218		209.5		
160		151.5		
142		133.5		
74		65.5		

* Not valid for appliances with retractable handle



Appliances	H3
Oven, steam cooker	4 mm
Microwave, coffee-center, system drawer, vacuum drawer and warming drawer	0 mm



2 Steam cookers

Only use if water hardness >3° French hardness (>1.7° German hardness).

2.1 General notes



Efficient repairs can only be guaranteed if it is possible to uninstall the whole appliance at any time without causing any damage.
 To ensure adequate ventilation, the niche in which the appliance stands must have a supply air opening of min. 25 cm².

2.2 Electrical connection data

Appliance	Country group *	Mains connection	Fuse	Rated load	Mains cable
Combi-Steam MSLQ **	A, B, C, D, E, F	400 V 2N~ 50 Hz	16 A	5700 W	Min. 1.8 m, without plug
		230 V~ 50 Hz	25 A ***		
Comhair-Steam SL, Comhair-Steam SE, Combi-Steam HSL, Combi-Steam XSL/XSLF, Steam XSL	A, E	230 V~ 50 Hz	16 A	SE, SL, XSL, XSLF: 3700 W	Min. 1.8 m, with plug
	B, C				Min. 1.8 m, without plug
	D	220–240 V~ 50 Hz	HSL: 3500 W	Min. 1.8 m, with plug	
	F				
Steam HSE	C, F		10 A	2200 W	

* Country group (see page 2)

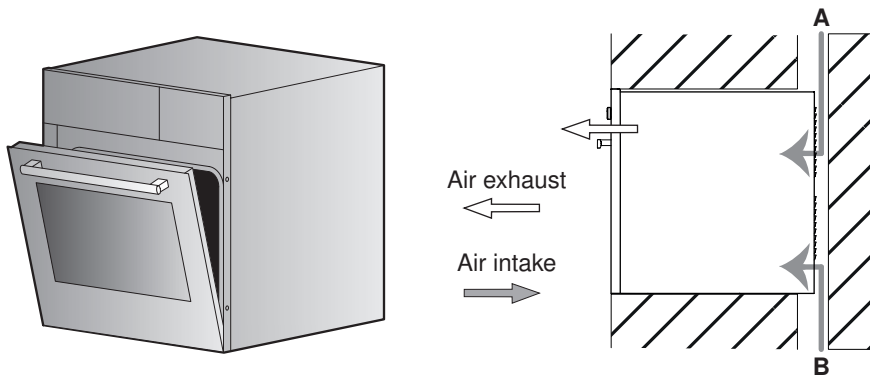
** The Combi-Steam MSLQ can also be operated with a single-phase connection (230 V~ / max. 16 A). For performance reasons, however, it is to be connected with a two-phase connection or fitted with a 25 amp fuse whenever possible.

*** This appliance conforms to IEC 61000-3-12 provided that the short-circuit power S_{sc} at the connection point of the customer system to the public power system is greater than or equal to 1140 kW. It is the responsibility of the installer or user of the appliance to ensure, if necessary after consultation with the network operator, that this appliance is only connected to a connection point with a S_{sc} value that is greater than or equal to 1140 kW.

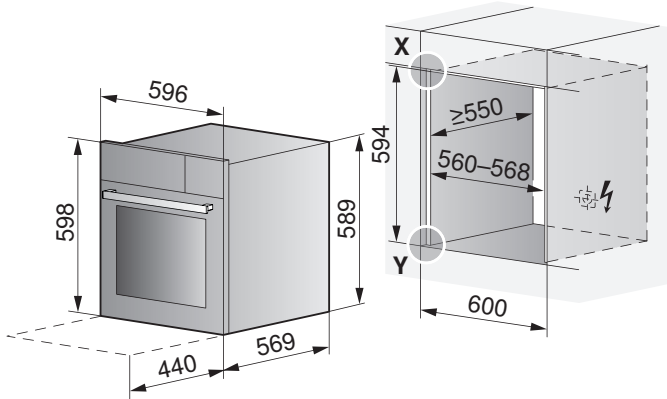
2.3 Air circulation diagram for Combi-Steam MSLQ



To ensure good ventilation, the niche in which the appliance stands must have a supply air vent, position **A** and **B**, of a total of ≥80 to ≤850 cm², of which **B** must be ≥60 cm².
 Installation below an induction hob (see page 58).

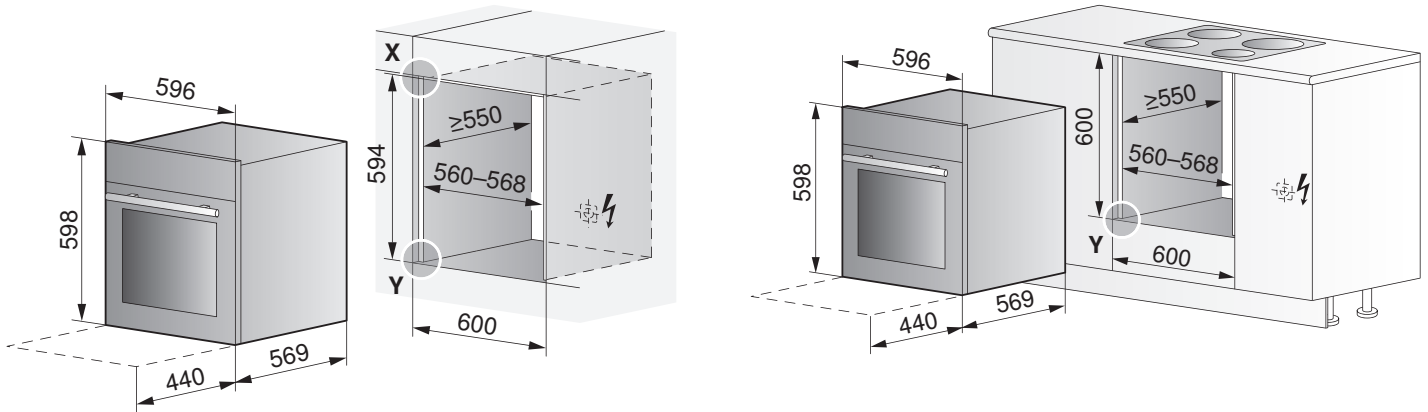


2.4 Combi-Steam MSLQ (23015/23073)



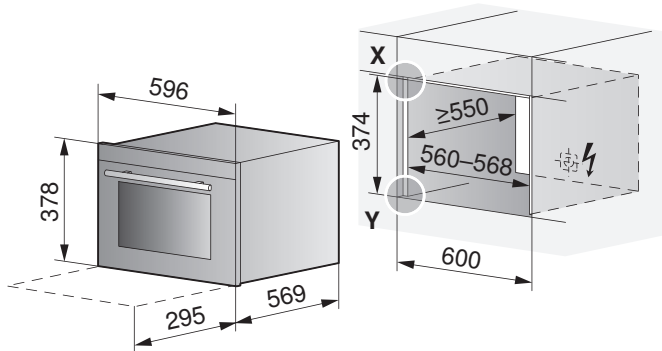
¹ For niche height 635 mm: Compensation elements, see the Accessories (see page 122) section.

2.5 Combair-Steam SL (23012/23013/23070/23071), SE (23010), Steam XSL (23081)

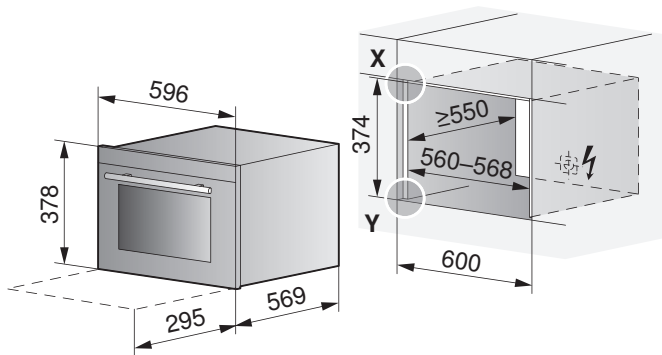


Front dimensions of the appliances: Detail X/Y (see page 10)

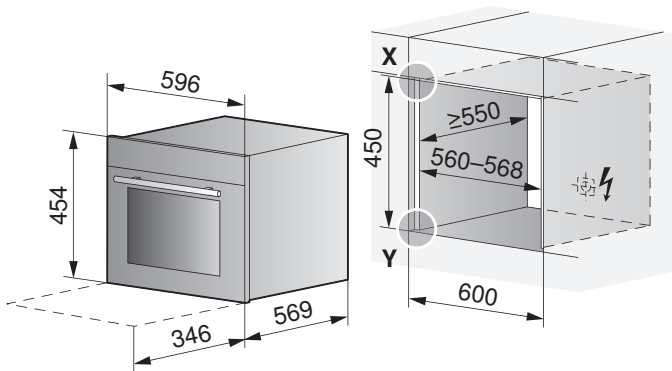
2.6 Combi-Steam HSL (23004)



2.7 Steam HSE (23002)

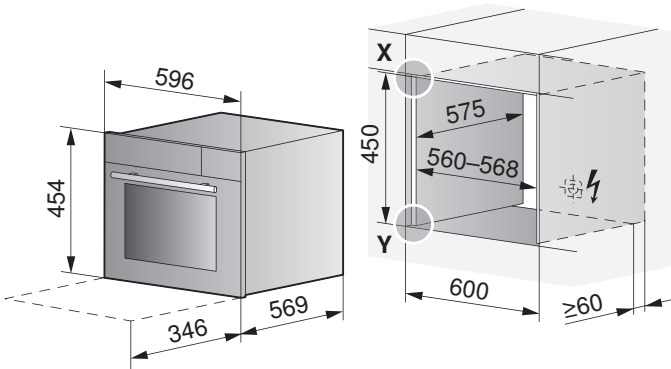


2.8 Combi-Steam XSL (23005/23006/23065/23066)



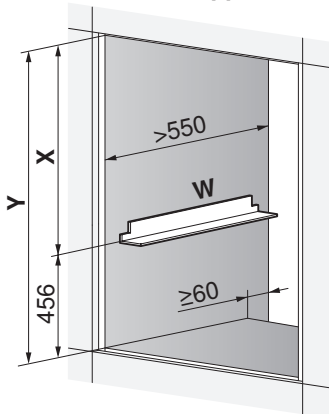
Front dimensions of the appliances: Detail X/Y (see page 10)

2.9 Combi-Steam XSLF (23007/23008/23067)

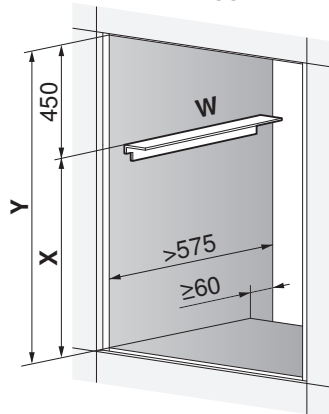


Front dimensions of the appliances: Detail X/Y (see page 10)

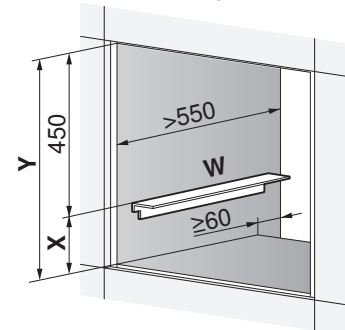
Below second appliance



Above second appliance



Above warming drawer



X = Height of second appliance

Y = Niche height

W = Angle set K50572

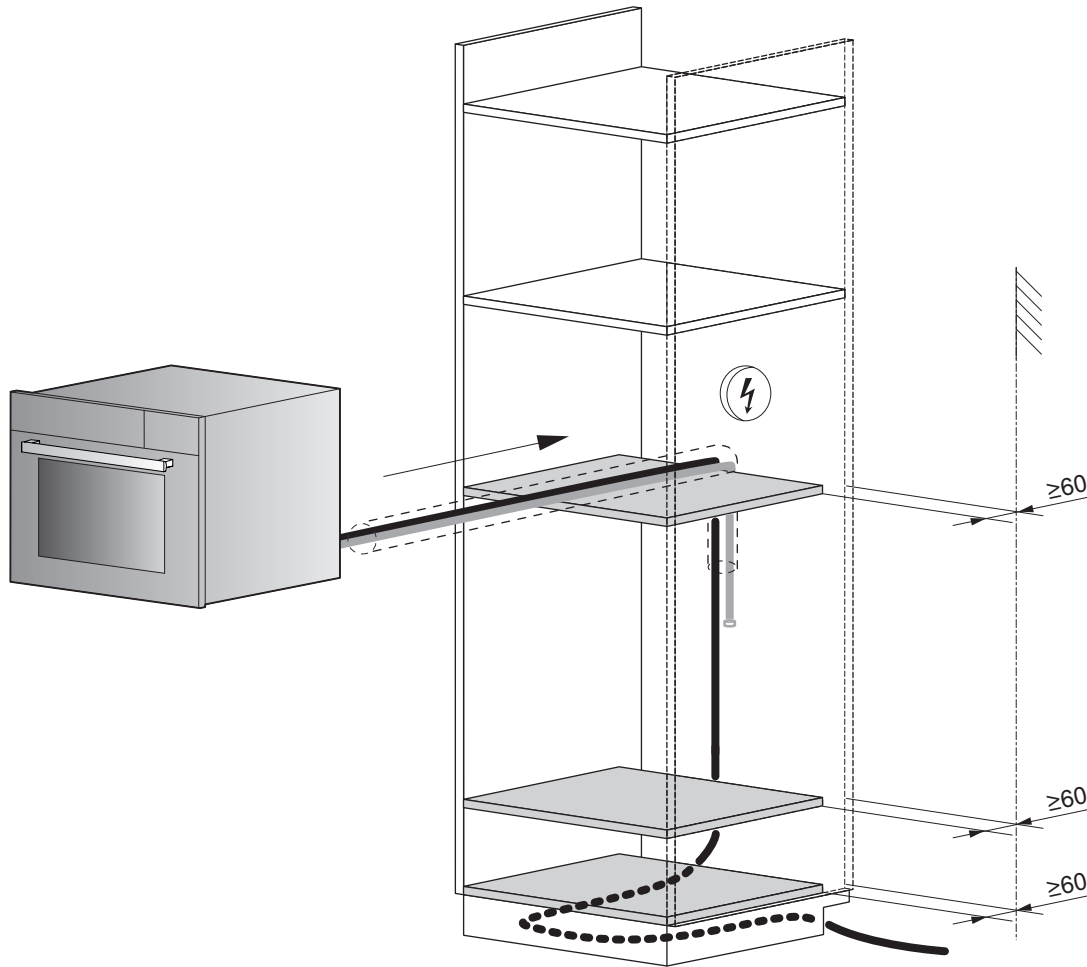


For an installation depth of under 575 mm, it is recommended that the appliance be installed below other appliances for space reasons.

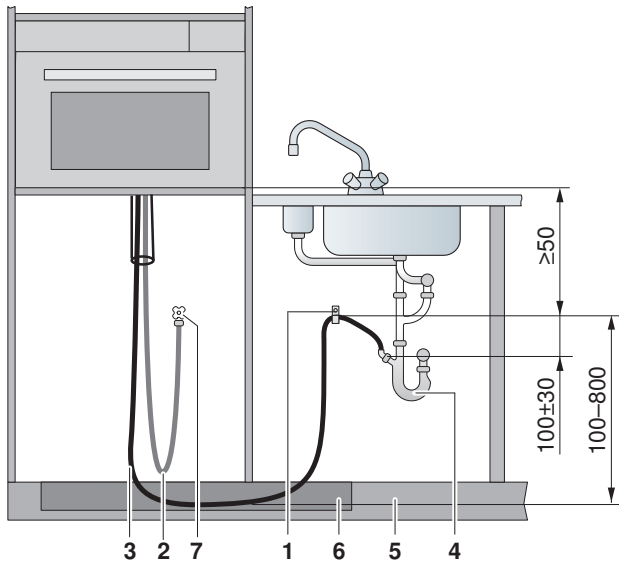
If installing with a second appliance in the same niche, use the angle set **W** (K50572).



Installation



Plumbing in



- 1 Hose clamp
- 2 Reinforced inlet hose 2 m, G 3/4"
- 3 Drain hose 3 m, internal diameter of connection 22 mm

On-site installations

- 4 Drain trap
- 5 Plinth panel
- 6 Hose fed through plinth
- 7 Cold water connection with stopcock

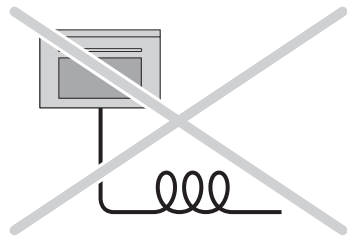
Drain

Length of drain hose: 3 m

- An optional 5 m drain hose (Art. no. 1012933) can be ordered if required.



The drain hose must not be lengthened or shortened.
The drop from the bottom of the appliance to the drain trap must be at least 50 mm.
The drain hose must be laid flat without any kinks.



Cold water connection inlet

Operating pressure: 0.1–1.0 MPa (1–10 bar)

Only use if water hardness >3° French hardness (>1.7° German hardness).

Length of reinforced hose: 2 m



Observe local water authority regulations.
Existing hoses that are defective must be replaced.
The reinforced hose must not be lengthened.
The stopcock must be accessible at all times.

3 Ovens

3.1 General notes



Efficient repairs can only be guaranteed if it is possible to uninstall the whole appliance at any time without causing any damage.

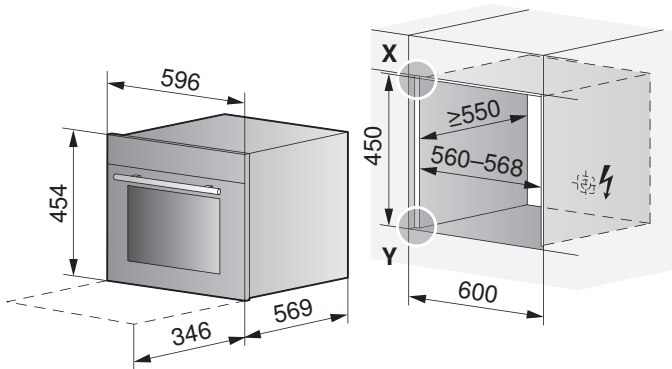
To ensure adequate ventilation, the niche in which the appliance stands must have a supply air opening of min. 25 cm².

3.2 Electrical connection data

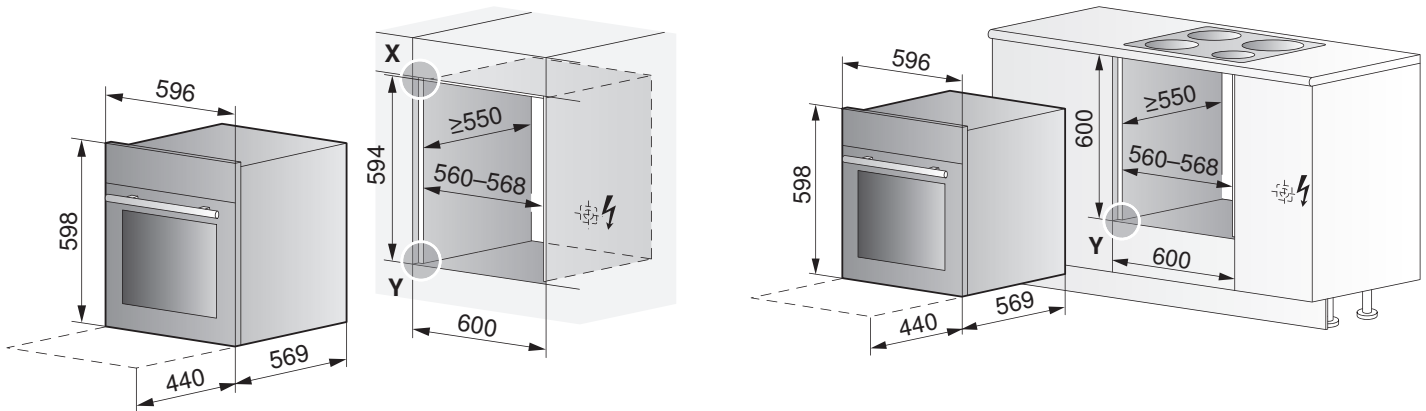
Appliance	Country group *	Mains connection	Fuse	Rated load	Mains cable
Comhair SLP, SL, SE, SEP Comhair XSLP, XSEP Comhair XSL, XSE	A, E	230 V~ 50 Hz	16 A	SL(P), SE(P): 3400 W XSL(P), XSE(P): 3300 W	min. 1.8 m, with plug
	B, C				min. 1.8 m, without plug
	D	220–240 V~ 50 Hz			min. 1.8 m, with plug
	F				

* Country group (see page 2)

3.3 Comhair XSL (21023/21030/21101), XSE (21017), XSLP (21028/21063/21099), XSEP (21027)



3.4 Comhair SL (21022/21029/21098), SE (21016/21060), SLP (21025/21062/21096), SEP (21019)



Front dimensions of the appliances: Detail X/Y (see page 10)



4 Vacuum drawer, warming drawers & system drawers

4.1 General notes



Efficient repairs can only be guaranteed if it is possible to uninstall the whole appliance at any time without causing any damage.

4.2 Electrical connection data



Plan a separate inlet for the electrical connection for each appliance.



General information on the electrical connections and an overview of the positions can be found in section Overview of connections, ranges and dimensions (see page 5).

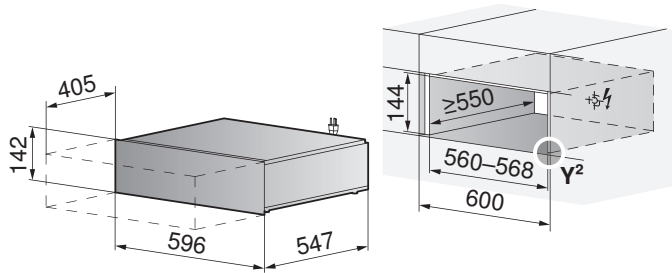
Appliance	Mains connection	Fuse	Rated load	Mains cable
Vacuum drawers	220–240 V~ 50 Hz	10 A	320 W	1.7 m, with plug
Warming drawers			810 W	

4.3 Vacuum drawers

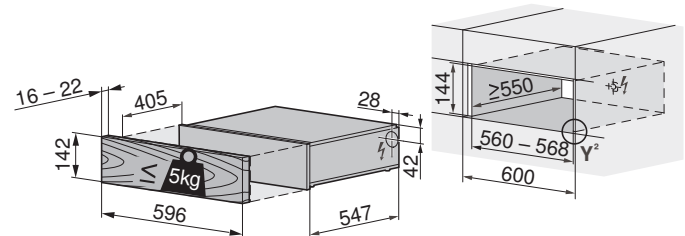


The mounting angles are not included in the scope of delivery. Order angle set K50572 at the same time.

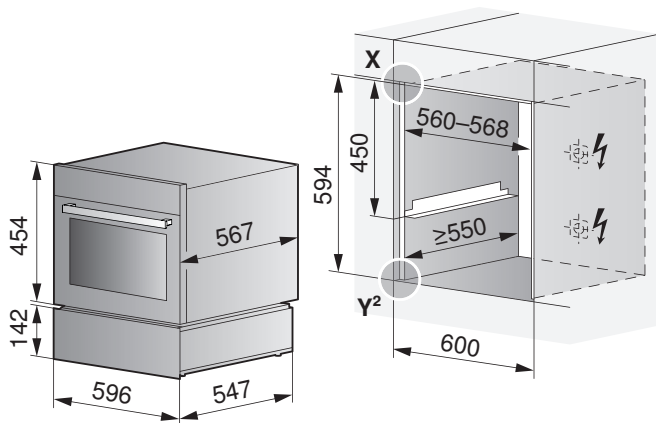
VS60144 (36001)
Built-in solo



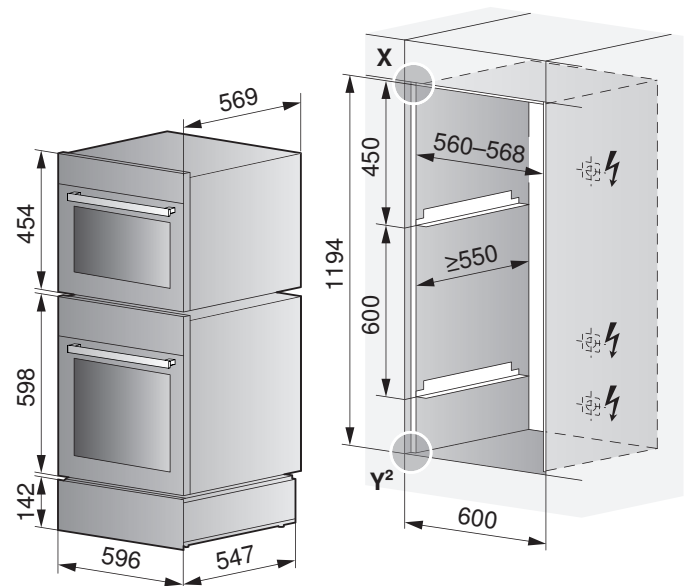
VS60144Vi (36003)
Built-in solo, fully integrated



Installing with compact oven or steam cooker



Installing with oven & compact oven or steam cooker

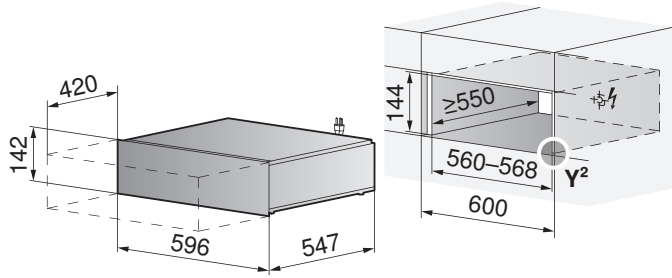


Front dimensions of the appliances: Detail X/Y² (see page 10)

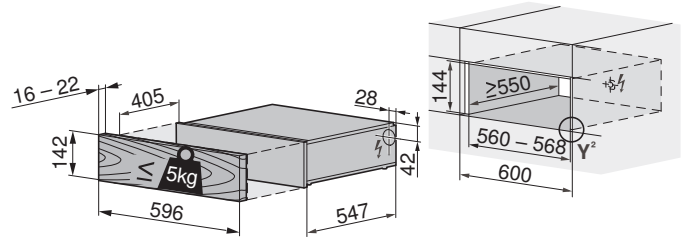
4.4 Warming drawers

The mounting angles are not included in the scope of delivery. Order angle set K50572 at the same time.

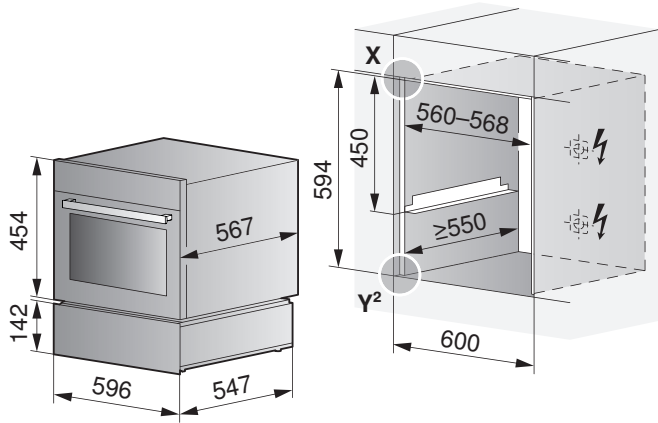
WS60144 (34017)
Built-in solo



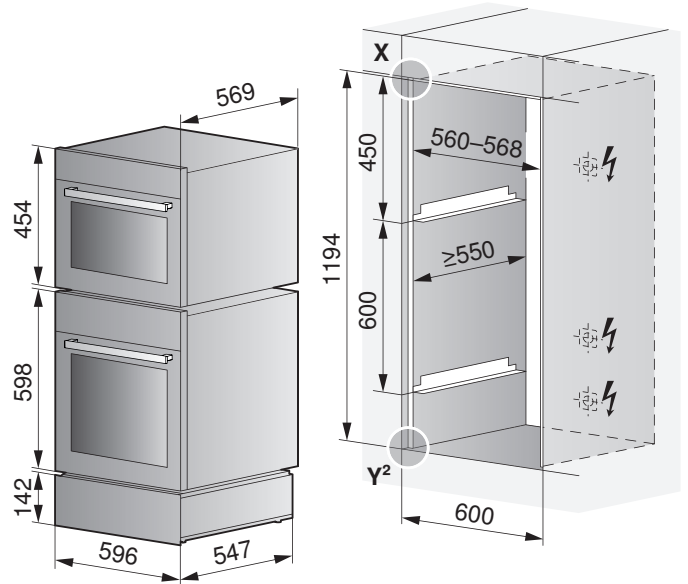
WS60144 (34022)
Built-in solo, fully integrated



Installing with compact oven or steam cooker



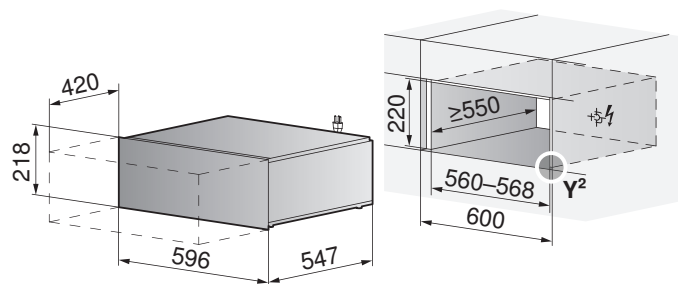
Installing with oven & compact oven or steam cooker



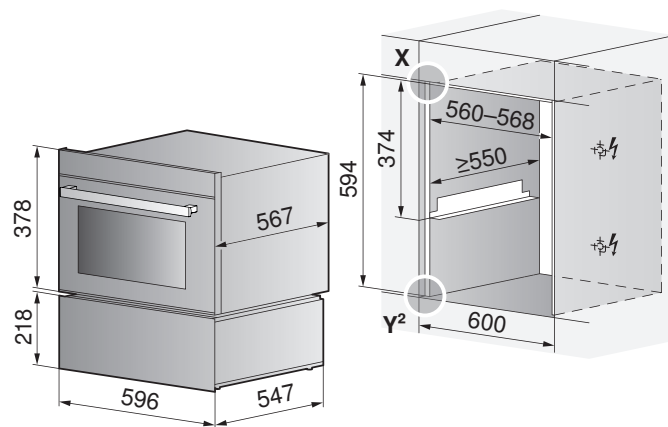
Front dimensions of the appliances: Detail X/Y² (see page 10)

WS60220 (34019)

Built-in solo

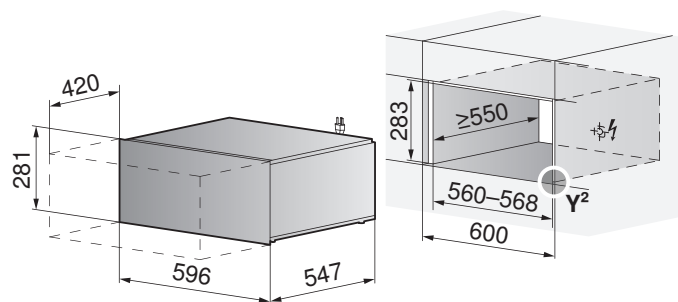


Installing with mini oven or steam cooker

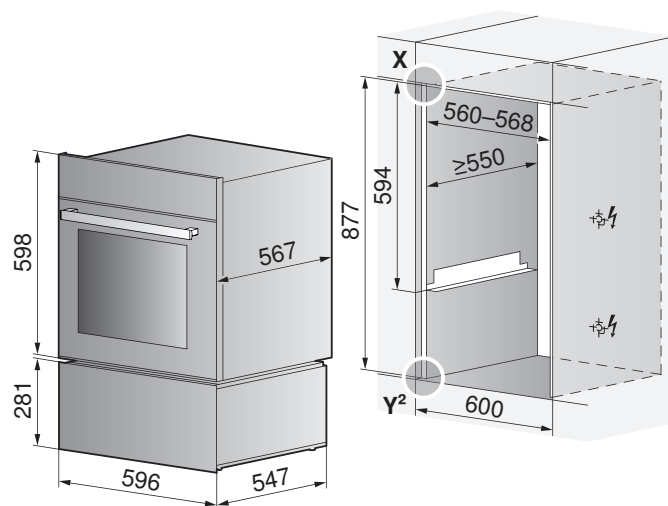


WS60283 (34020)

Built-in solo



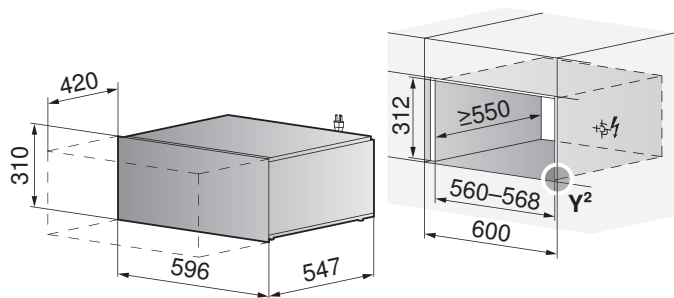
Installing with an oven



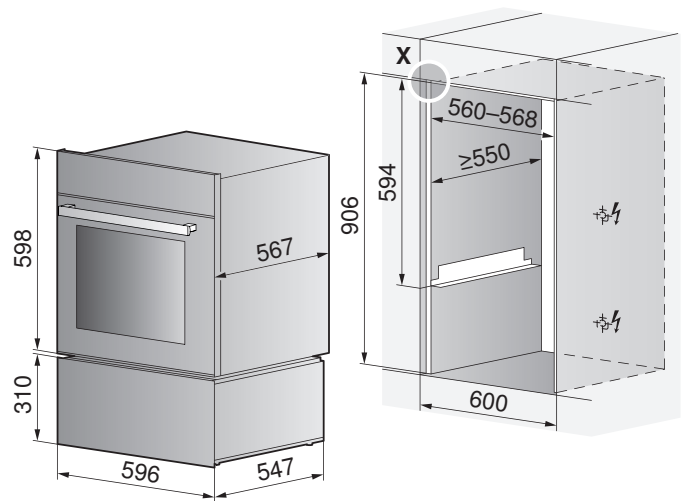
Front dimensions of the appliances: Detail X/Y² (see page 10)

WS60312 (34021)

Built-in solo



Installing with an oven

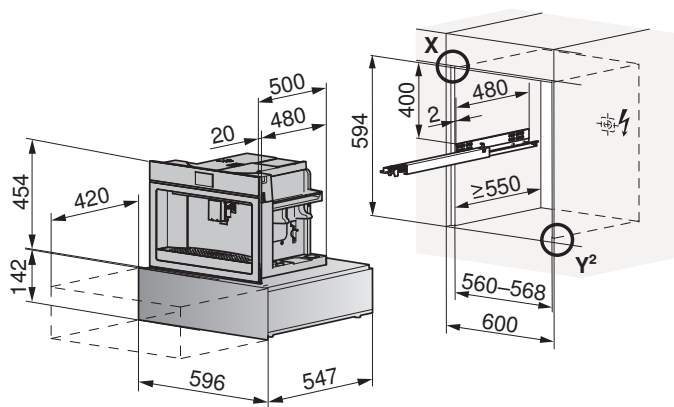


Front dimensions of the appliances: Detail X/Y² (see page 10)

4.5 System drawers

SYS60144 (35001)

Installing with Supremo XSL



Front dimensions of the appliances: Detail X/Y² (see page 10)



The telescopic runner for the assembly and operation is included in the scope of delivery.

5 Microwaves



Minimum installation height for child safety: Keep 850 mm distance from the floor to the bottom edge of the microwave!



The mounting angles are not included in the scope of delivery. Order angle set K50572 at the same time.

5.1 General notes



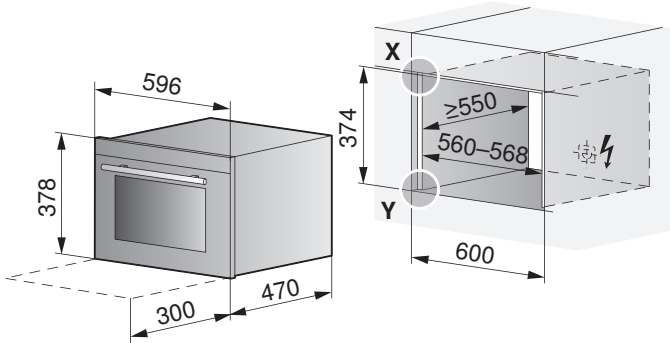
Efficient repairs can only be guaranteed if it is possible to uninstall the whole appliance at any time without causing any damage.

5.2 Electrical connection data

Appliance	Country group *	Mains connection	Fuse	Rated load	Mains cable
Miwell-Combi XSL	A, B, C, E	230 V~ 50 Hz	16 A	2800 W	1.2 m, with plug
	D	240 V~ 50 Hz			
	F	220 V~ 50 Hz			
Miwell HSL	A, B, C, E	230 V~ 50 Hz	10 A	2300 W	
	D	240 V~ 50 Hz			
	F	220 V~ 50 Hz			

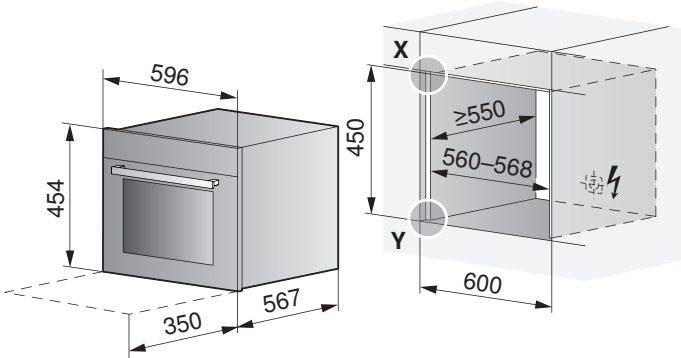
* Country group (see page 2)

5.3 Miwell HSL (24006)



Front dimensions of the appliances: Detail X/Y (see page 10)

5.4 Miwell-Combi XSL (24009)





6 Coffee-Centers



Depth of fitted unit must be at least 530 mm.

6.1 General notes

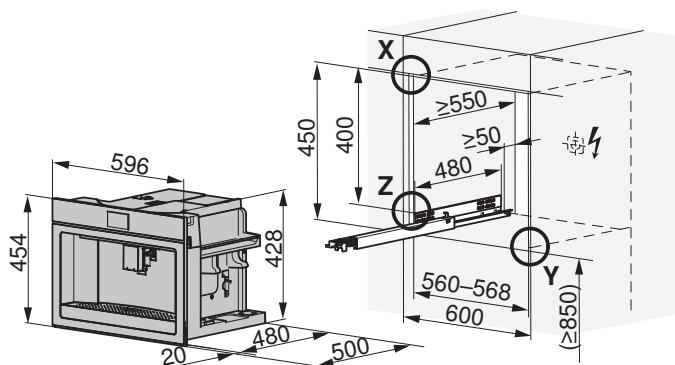


Efficient repairs can only be guaranteed if it is possible to uninstall the whole appliance at any time without causing any damage.

6.2 Electrical connection data

Mains connection	Fuse	Rated load	Mains cable
220–240 V~ 50/60 Hz	10 A	1350 W	1.8 m, with plug

6.3 Supremo XSL (25004)



Front dimensions of the appliances: Detail X/Y/Z

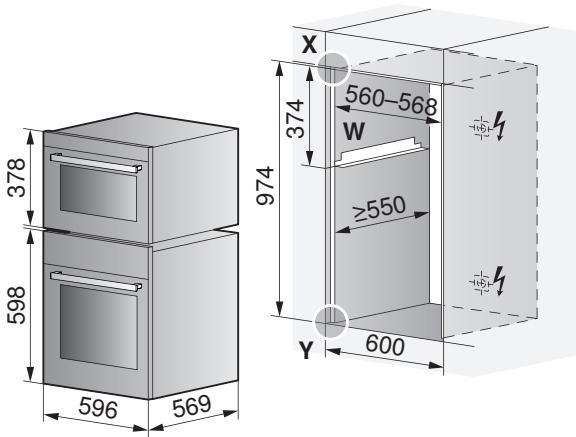
7 Combination possibilities

7.1 Oven & steam cooker

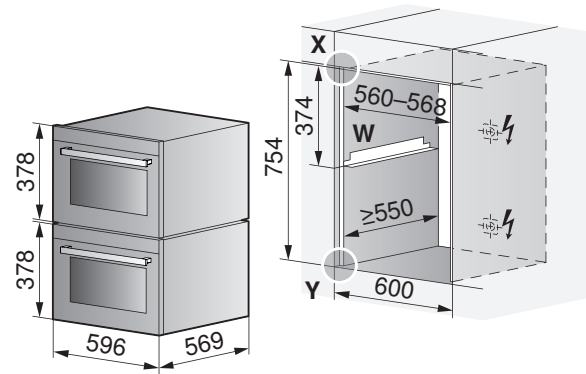


If installing with a second appliance in the same niche, use the angle set **W** (K50572).

Oven & Combi-Steam HSL / Steam HSE

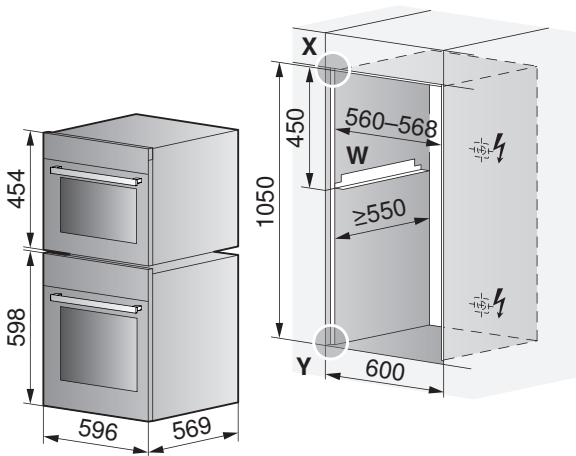


Combi-Steam HSL & Steam HSE

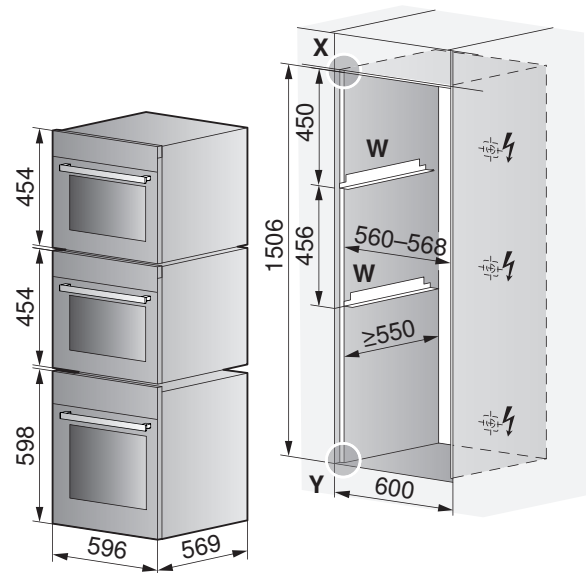


- Possible in base unit without hob.
- Possible in base unit with hob given 30 mm worktop (with ventilation grille only, see section Accessories (see page 122)).

Oven & compact oven or Combi-Steam cooker XSL / Steam XSL



Oven & compact oven & Combi-Steam XSL / Steam XSL

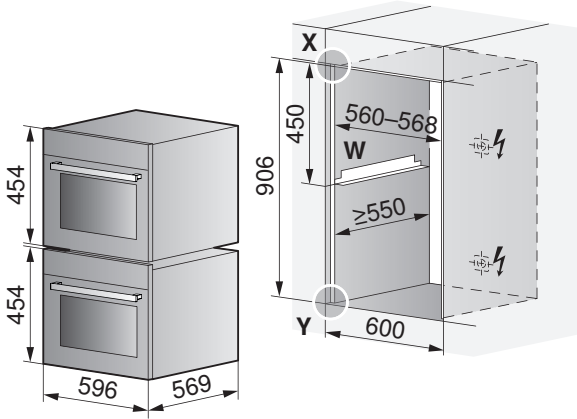


Front dimensions of the appliances: Detail X/Y (see page 10)



If installing with a second appliance in the same niche, use the angle set **W** (K50572).

Compact oven & Combi-Steam cooker XSL / Steam XSL



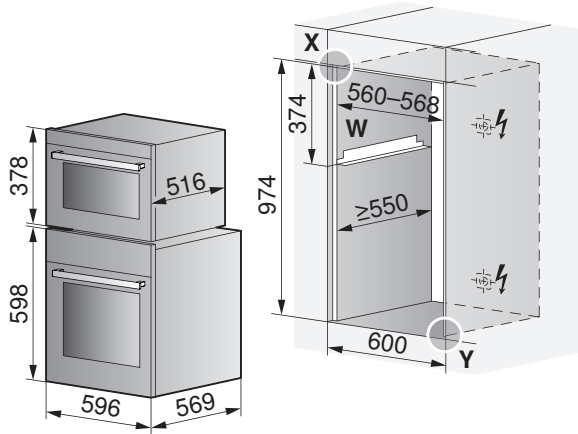
Front dimensions of the appliances: Detail X/Y (see page 10)

7.2 Oven & microwave

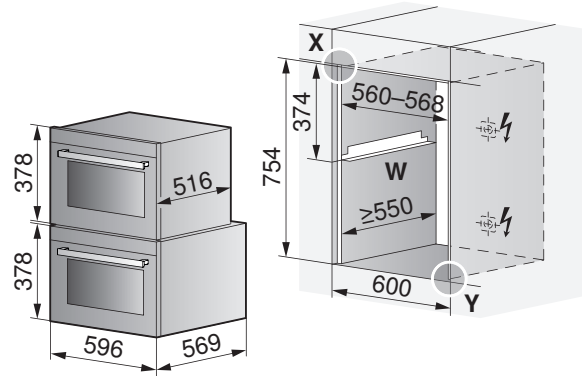
Minimum installation height for child safety: Keep 850 mm distance from the floor to the bottom edge of the microwave! The mounting angles are not included in the scope of delivery. Order angle set K50572 at the same time.

If installing with a second appliance in the same niche, use the angle set **W** (K50572).

Miwell HSL & oven



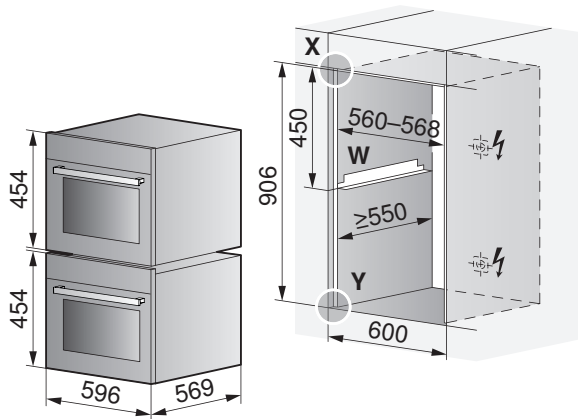
Miwell HSL & steam cooker



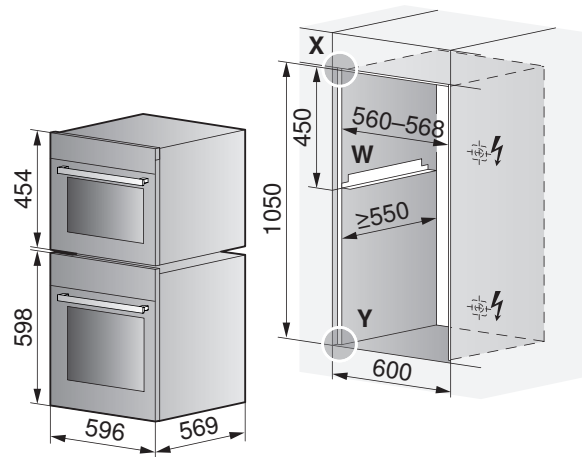
Front dimensions of the appliances: Detail X/Y (see page 10)

If installing with a second appliance in the same niche, use the angle set **W** (K50572).

Miwell-Combi XSL & compact oven / steam cooker



Miwell-Combi XSL & oven



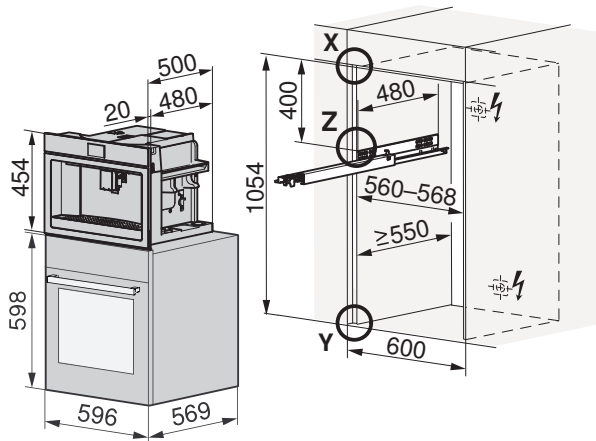
Front dimensions of the appliances: Detail X/Y (see page 10)

7.3 Oven & coffee-center

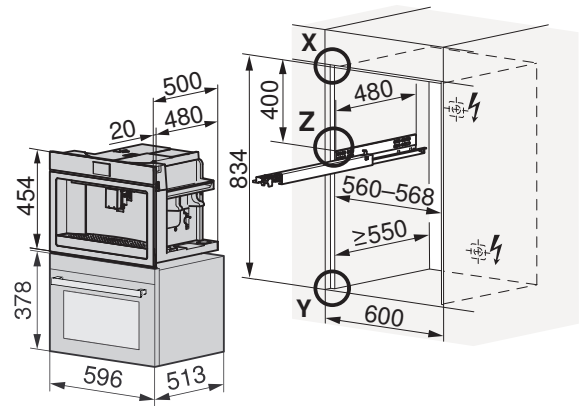


The telescopic runner for the assembly and operation is included in the scope of delivery.

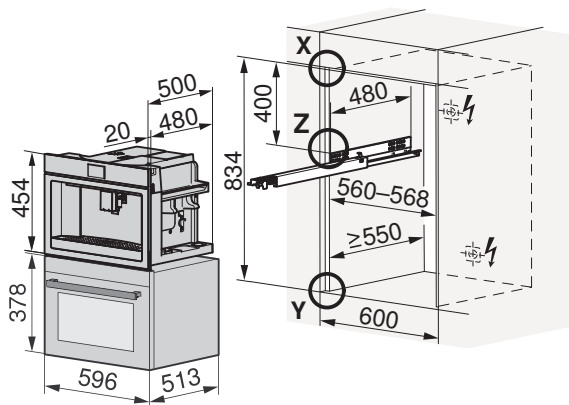
Supremo XSL & oven



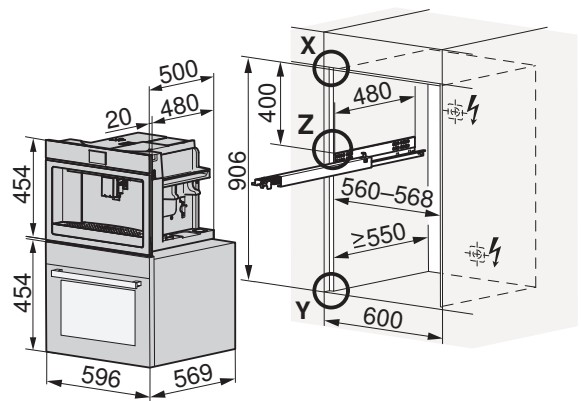
Supremo XSL & steam cooker



Supremo HSL & Miwell HSL



Supremo XSL & compact oven / steam cooker



Front dimensions of the appliances: Detail X/Y/Z (see page 10)

8 Glass ceramic hobs – induction, wok, teppanyaki

8.1 General notes



It is imperative for induction hobs to have adequate ventilation. See sections Installation without protective plate (see page 53) and Installation with protective plate (see page 55).

This is guaranteed with a worktop depth of 20 mm to 40 mm.

If a drawer is installed directly underneath, a protective plate is recommended in the vicinity of the mains cable and to protect the ventilation openings. The ventilation protective plate set can be used for this purpose. Accessories (see page 122).

With a front-facing air gap of 3 mm, a ventilation protective plate with seal is essential. Installation with protective plate (see page 55).



Efficient repairs can only be guaranteed if it is possible to uninstall the whole appliance at any time without causing any damage.

The layout of the hobs to be installed may differ from the hobs illustrated here!

8.2 OptiGlass coating

Halogen or LED light bulbs are recommended for illuminating hobs with the OptiGlass coating. The use of fluorescent tube lighting to illuminate hobs with the OptiGlass coating causes the glass surface to shimmer.

8.3 Electrical connection data

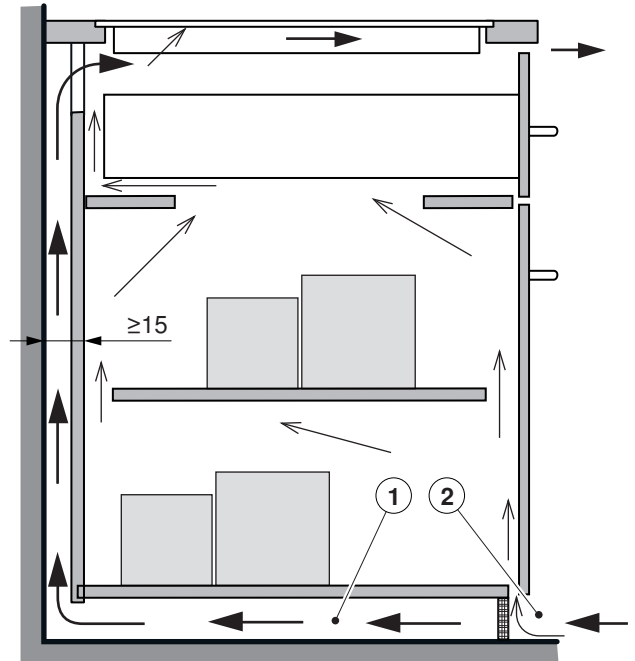
Appliance	Country group *	Mains connection	Fuse	Rated load	Mains cable
GK16TIWSZ	A, B, C, D, E, F	220–240 V~50/60 Hz	16 A	3000 W	1.7 m, without plug
GK17TIYSZ				2800 W	
GK26TIMS ..., GK27TIMS ...				3700 W	
CTI4T..., GK46TI ..., GK47TI ..., GKD46TIMASZO	A, E	380–415 V 2N~ 50/60 Hz	16 A	7400 W	
	B, C, D, F	220–240 V~50/60 Hz	32 A		
CTI6T95..., GK57TIMS ..., GK11TIFKZ	A, E	380–415 V 3N~ 50/60 Hz	16 A	11100 W	
	B, C, D, F	220–240 V~50/60 Hz	48 A		
GK11TIFKZ, GK11TIXFKZ	A, E	380–415 V 2N~ 50/60 Hz	16 A	7400 W	
	B, C, D, F	230 V~ 50 Hz	32 A		

* Country group (see page 2)

8.4 Ventilation

In order to guarantee good ventilation, a space of ≥ 10 mm height is necessary beneath the appliance.

1. The rear panel of the base unit must be open around the work surface cut-out to guarantee continuous air circulation via the ventilation slits. The air must be drawn in from outside the cabinet and be able to circulate freely from inside the cabinet to the hob.
2. Alternatively, a concealed fresh air supply can ensure air circulation inside the cabinet. In order that enough cold air can be drawn in, there must be a continuous circulation of fresh air that extends outside the cabinet. The air must be drawn in from outside the cabinet and be able to circulate freely from inside the cabinet to the hob.



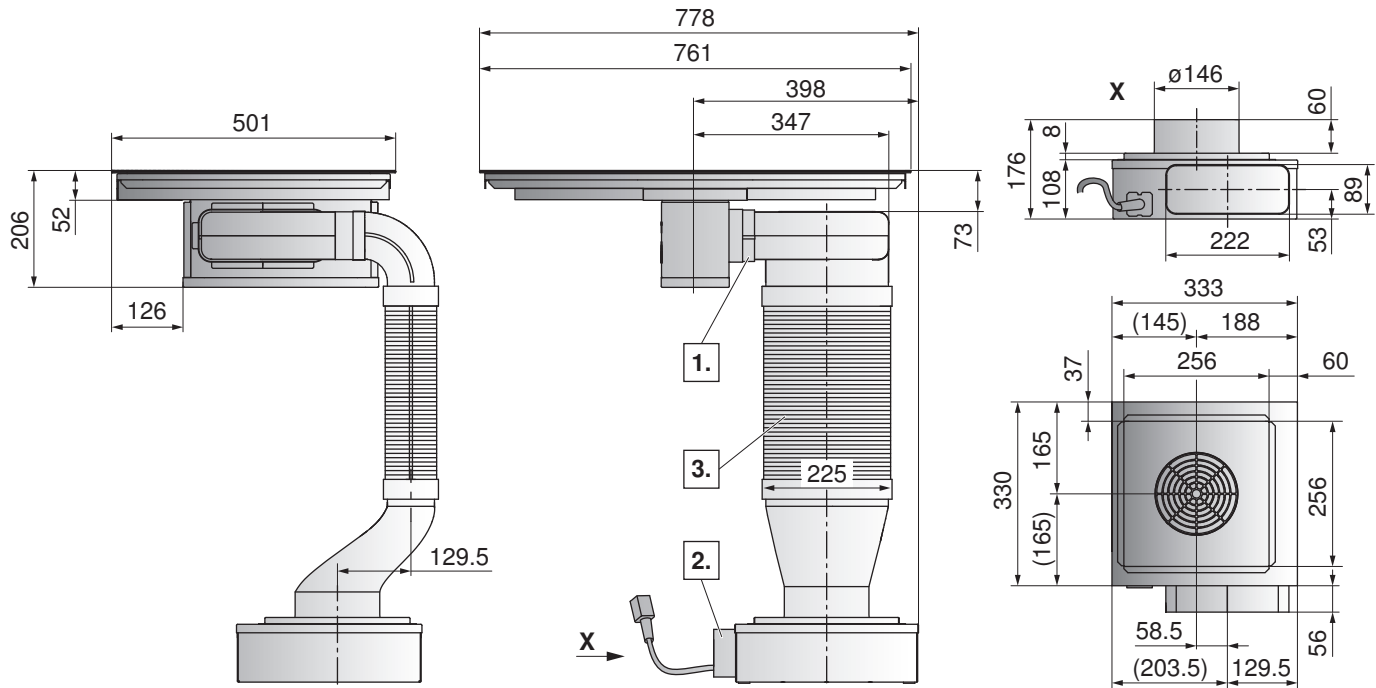
8.5 Induction hob with integrated range hood

GKD46TIMASZO - FUSION (31094)

Dimensions



All plastering, plasterboarding, wall papering or painting work is to be carried out prior to installing the appliance. Ensure that the material is sufficiently stable. Plan a removable base plate or service flap for fan motor (and recirculation box in the case of the recirculation mode). For the recirculation mode, ensure sufficient ventilation so that moisture can escape. Plan in suitable material/wood.



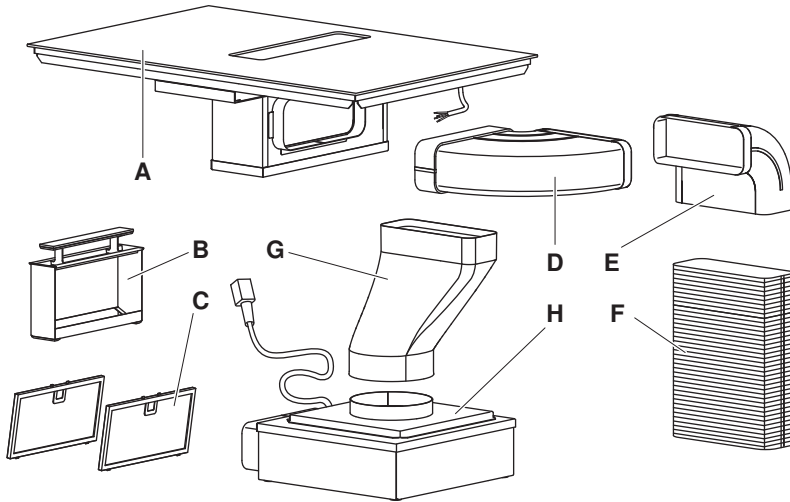
1. The exhaust ducting can be to the left or right.
2. The fan motor can be turned, this changes the installation type.
3. Depending on space requirements, the position of the fan motor can be adjusted by shortening the flat channel.



Scope of delivery



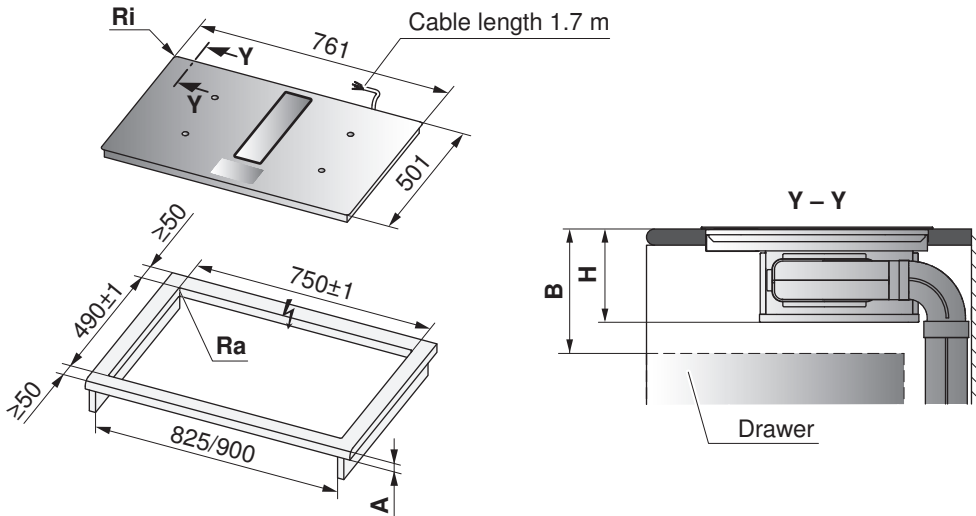
The items included in the scope of delivery such as the flat channel and elbow are made of metal.



- A** Hob
- B** Filter cassette
- C** 2x grease filter
- D** Elbow 90°, horizontal
- E** Elbow 90°, vertical
- F** Flat channel, flexible
- G** Offsetting end piece
- H** Fan motor

Surface-mounted installation

The layout of the hob to be fitted may differ from the hob illustrated!



Type	A Depends on producer	B	H	Corner radius Ra/Ri
GKD46TIMASZO	20–70 mm	≥212 mm	202 mm	5/1.5 mm

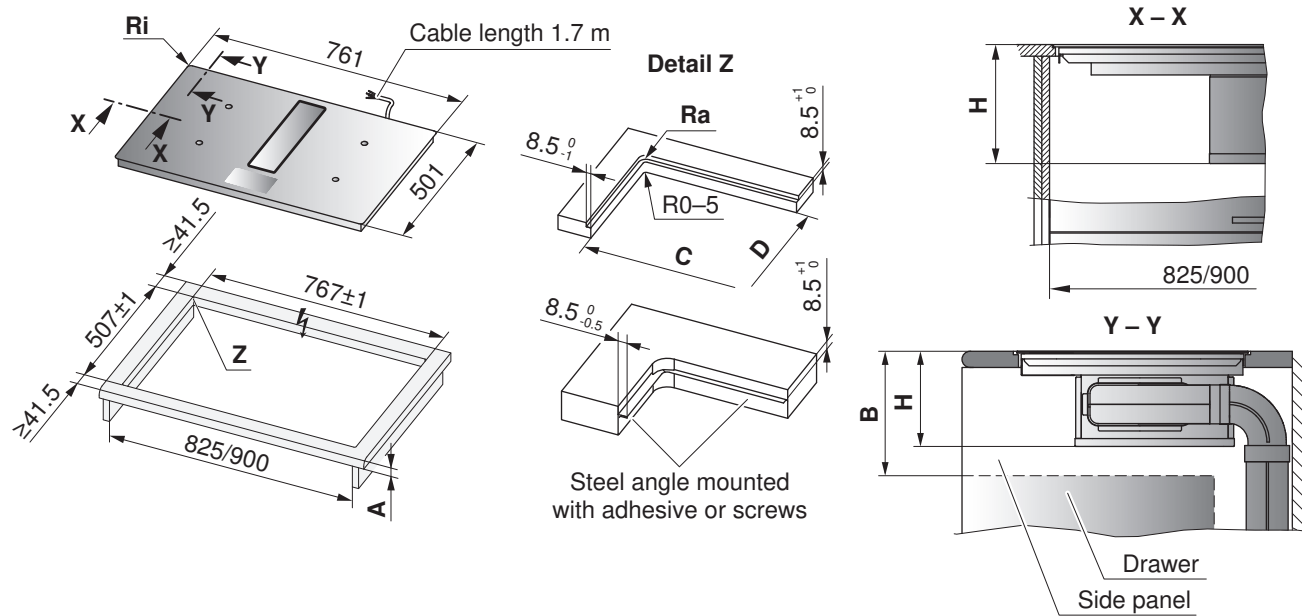
- A** Worktop depth
- B** Required clearance for service replacement over the entire cut-out area.
- H** Dimension from the top of the work surface to the underside of the hob
- Ri** Corner radii of appliance
- Ra** Outer corner radii of cut-out



The intermediate base must be removable from below.

Flush installation

The layout of the hob to be fitted may differ from the hob illustrated!



Type	A Depends on producer	B	C/D	H	Corner radius Ra/Ri
GKD46TIMASZO	20–70 mm	≥400 mm	750/490	206 mm	5/1.5 mm

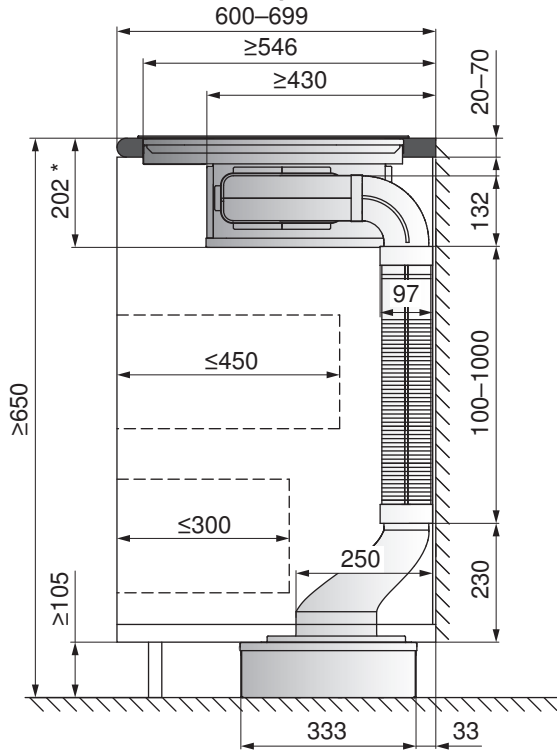
- A** Worktop depth
- B** Required clearance for service replacement over the entire cut-out area.
- H** Dimension from the top of the work surface to the underside of the hob
- Ri** Corner radii of appliance
- Ra** Outer corner radii of cut-out



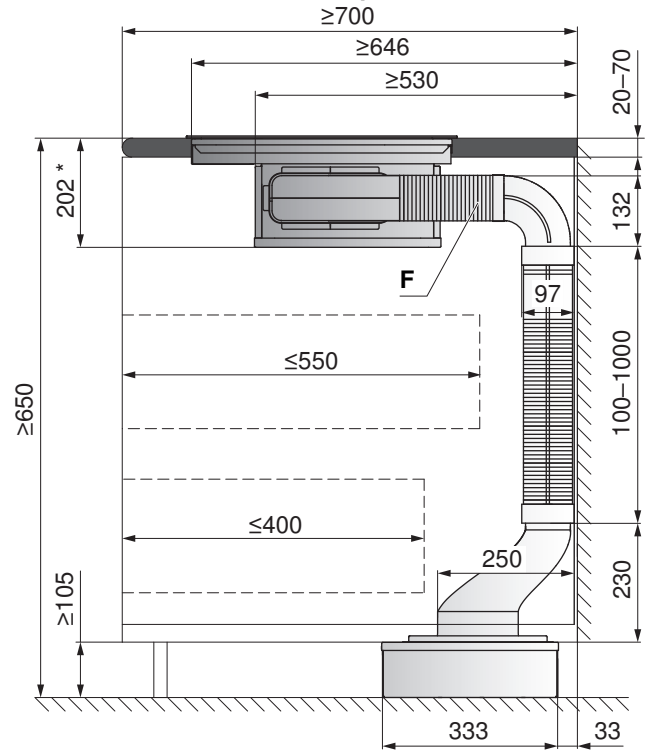
The intermediate base must be removable from below.

Installation overview base unit

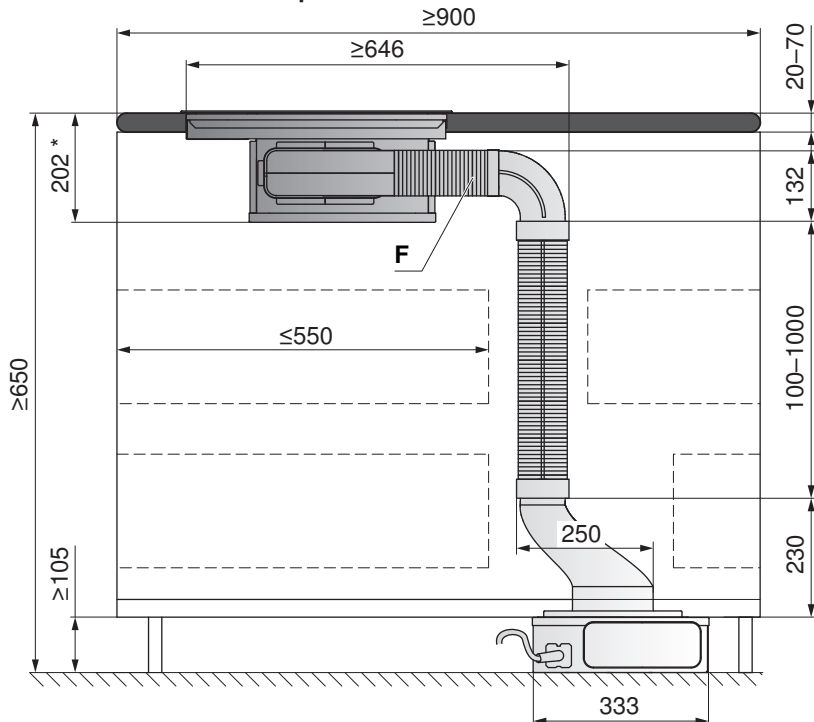
Wall installation with depth of ≥ 600



Wall/island installation with depth of ≥ 700



Island installation with depth of ≥ 900



* Surface-mounted installation (flush installation 206 mm)

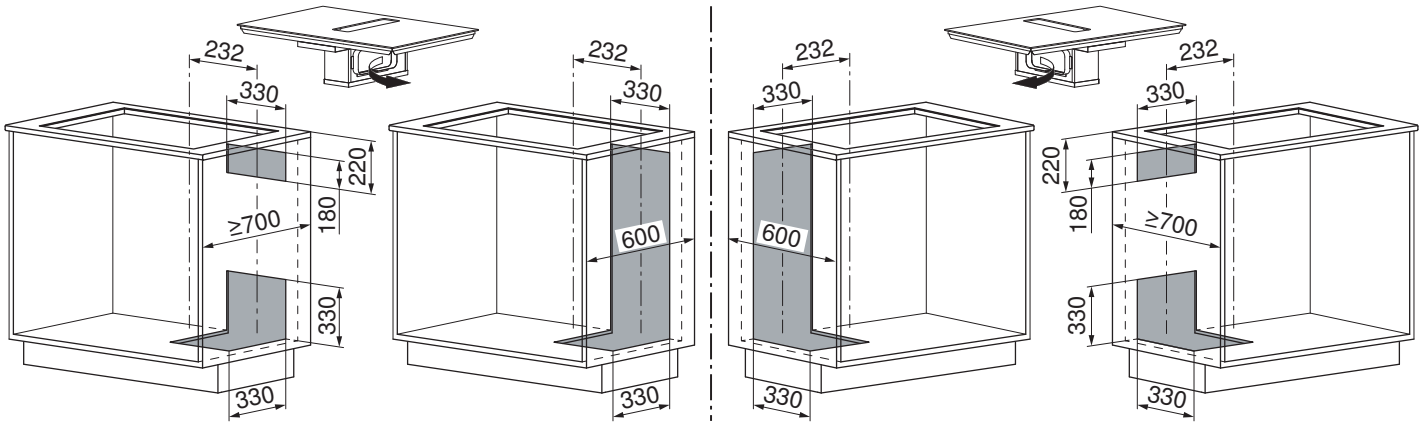


Flat channel **F** is not included in the scope of delivery. Order flat channel 1046629 at the same time.

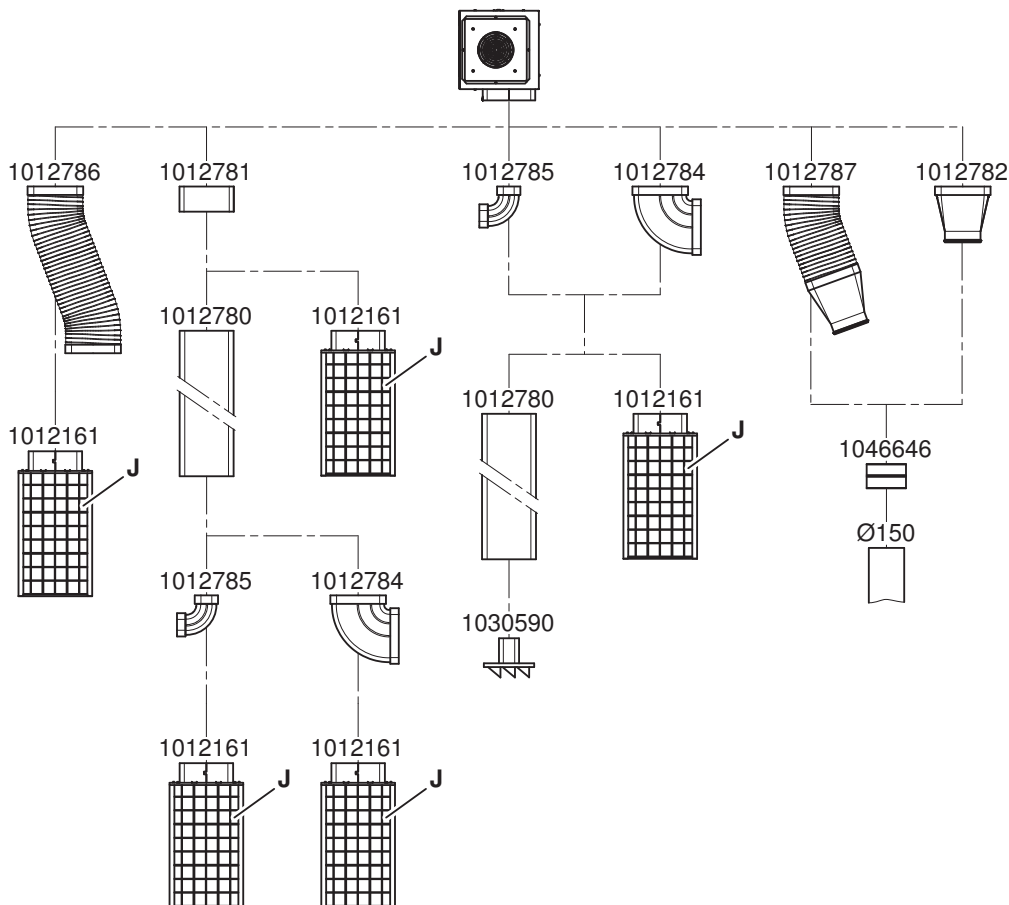
Installation

► Prepare base according to intended installation variant.

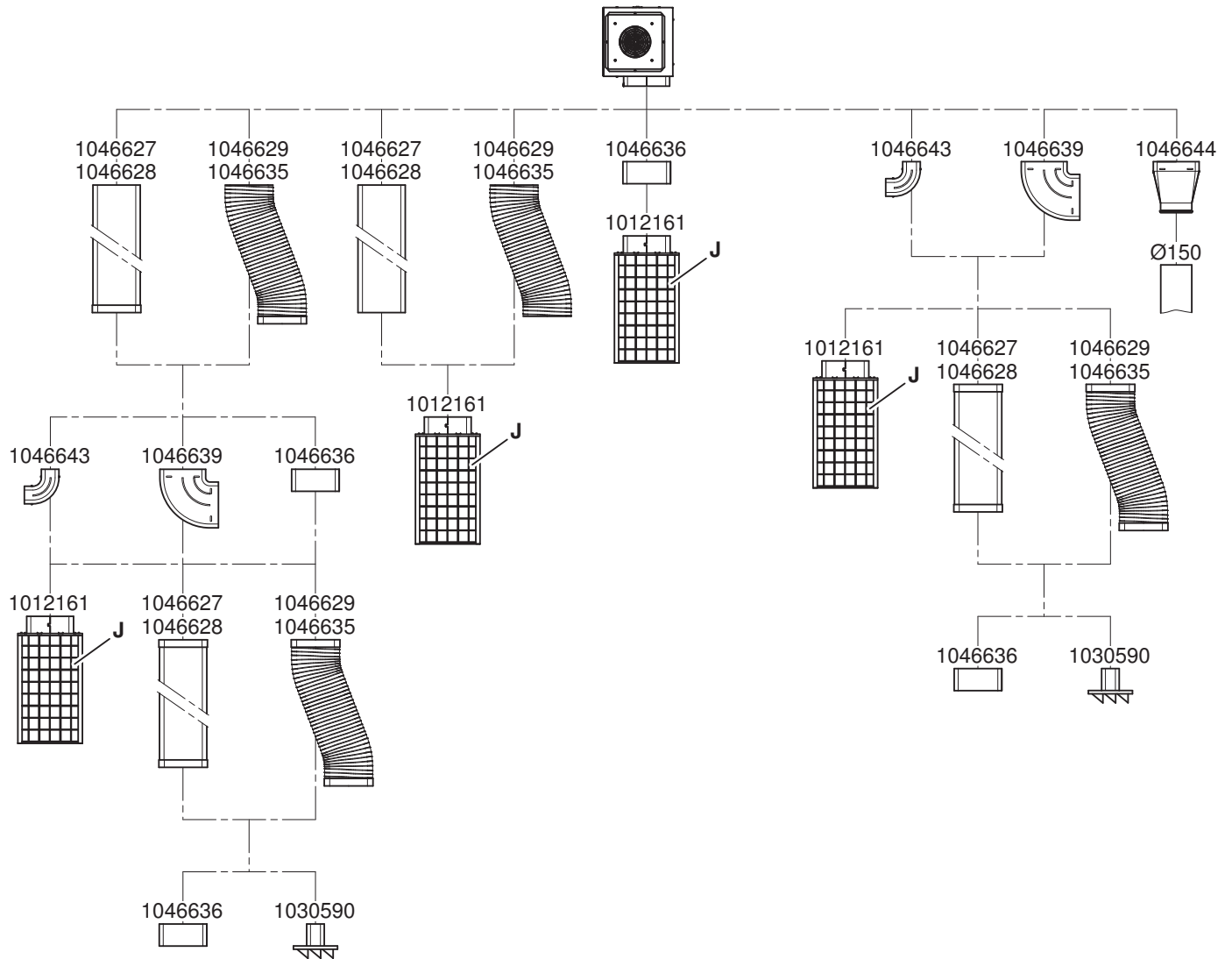
- Provide for an inspection opening for service replacement purposes as shown in the diagrams, observe exhaust air duct to left or right.



Plastic accessories



Metal accessories



The duct spacers 1077495 prevent the narrowing or compression of the air duct. Hence the use of duct spacers is necessary if accessory 1046627/1046628 is embedded in concrete.

Extraction mode

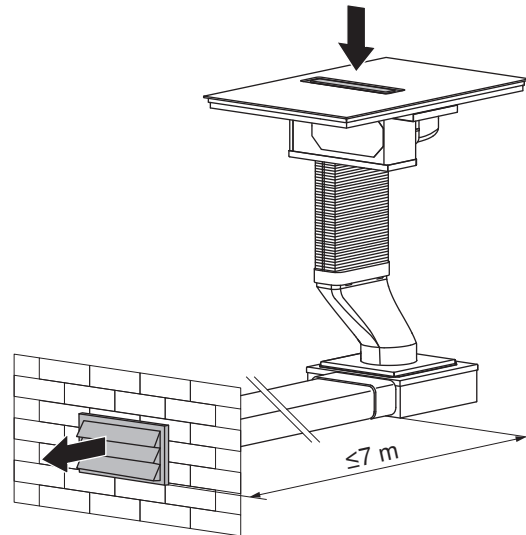


There is a danger of toxic fumes developing if the range hood is operated at the same time as an ambient air-dependent firing system!



The conversion kits and suitable flat channel or pipe systems are available for order as accessories.

- Only use pipes with a smooth inner surface or flexible duct hoses made from non-flammable materials for exhaust ductwork.
- To achieve the greatest possible air extraction with the lowest noise levels, please observe the following:
 - Standard ventilation outlet is by means of flat channel or pipe.
 - The diameter of the exhaust duct pipe must not be less than $\varnothing 150$.
 - The exhaust ducting should be as short and straight as possible.
 - Only use connection elbows with large radii.
 - The exhaust ducting must not be kinked or compressed.
 - Make sure that all connections are secure and airtight.

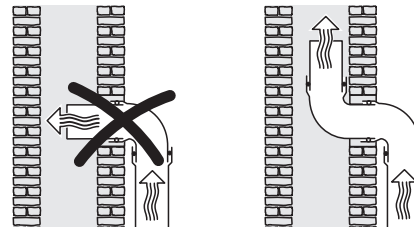


Any constriction of the airflow will reduce extraction performance and increase operating noise.

If the exhaust duct is to be routed outdoors, we recommend installing a telescopic wall pipe H42066.

If the exhaust air is to be ducted into a chimney flue, the intake piece must be aligned with the flow direction of the flue.

- If the exhaust duct runs through cool rooms, lofts, etc., there may be sharp variations in temperature in individual areas. Vapour and condensation is to be expected. This makes it therefore necessary to insulate the exhaust ducting / air duct.



Recirculation mode



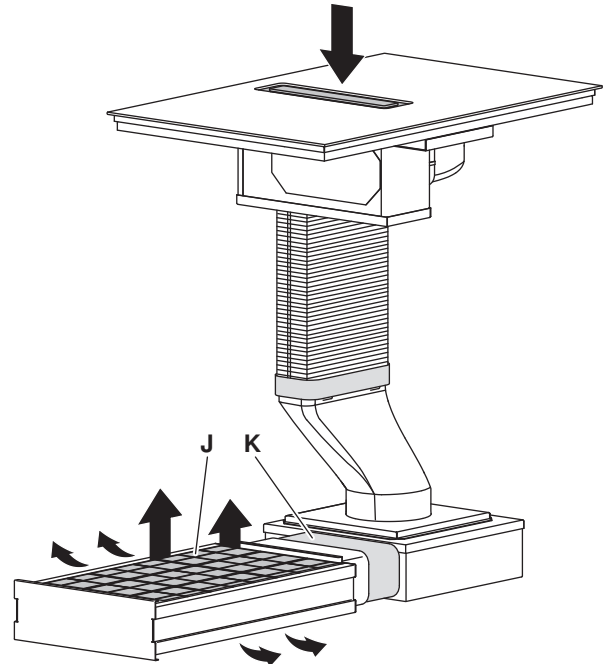
The conversion kits and suitable flat channel systems are available for order as accessories.

For recirculation mode, ensure access for maintenance purposes and also ensure the blow-out opening is at least 500 cm² (e.g. base recess or lamella base).

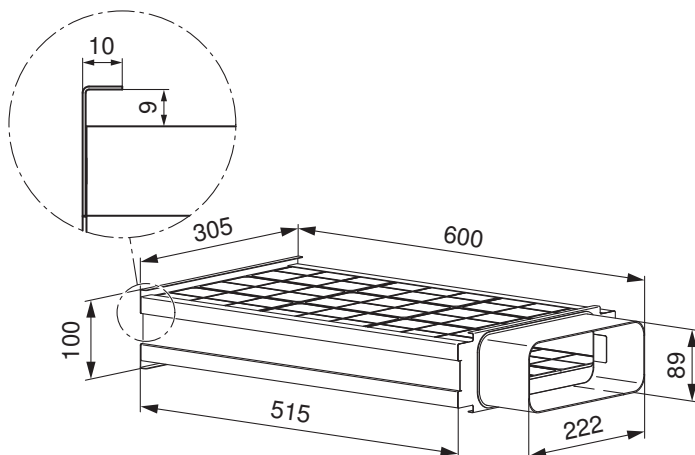
If an exhaust air connection is not structurally possible, the range hood must be set up for recirculation operation.

Recirculation mode with recirculation box

- ▶ Connect the channel connector **K** to the recirculation box **J**.
- ▶ Hold the \odot button depressed for 1 second.
 - An acoustic signal is emitted and a message appears in the display.
- ▶ Confirm with OK.
- ▶ Touch \odot .
- ▶ Select the «Ventilation» user setting.
- ▶ Touch \odot to change the mode to recirculation air.
- ▶ Confirm the setting with OK.
 - The setting is saved.



The activated charcoal filters are integrated in the recirculation box 1012161. Activated charcoal filters are not used in the range hood.

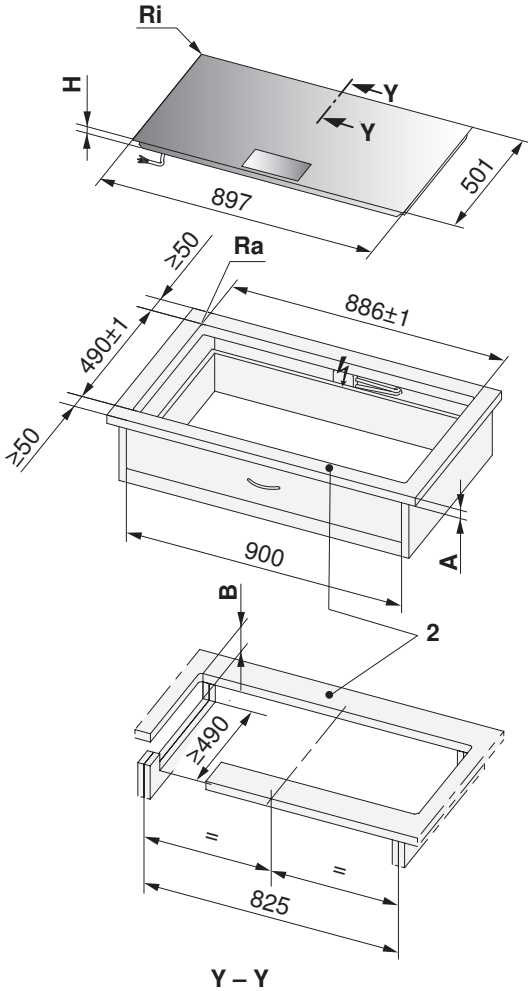


8.6 Surface-mounted installation with «DualDesign»

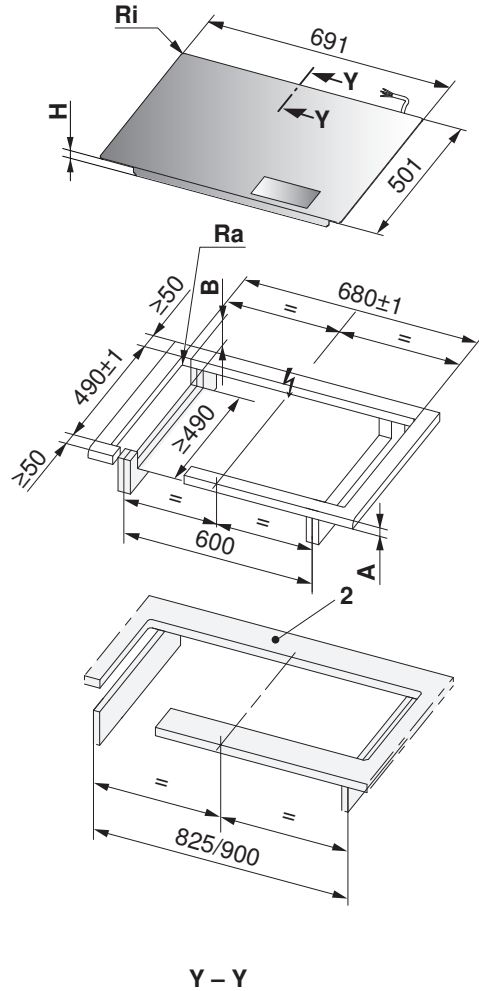


- Corner radii of cut-out, aim for ≤ 5 mm.
- Corner radii of appliance 1.5 mm

GK11TIFKZ - FULLFLEX (31062)



GK11TIXFKZ - FULLFLEX (31093)



* The required clearance must be observed!

2 The front and rear pegs are reinforced underneath. The strut width is determined by the producer of the stone worktop. The minimum peg width can vary according to the properties of the stone.

Type	A Depends on producer	B	H	Corner radius Ra/Ri
GK11TIFKZ, GK11TIXFKZ	≥ 40 mm	≥ 82 mm	72 mm	5/1.5 mm

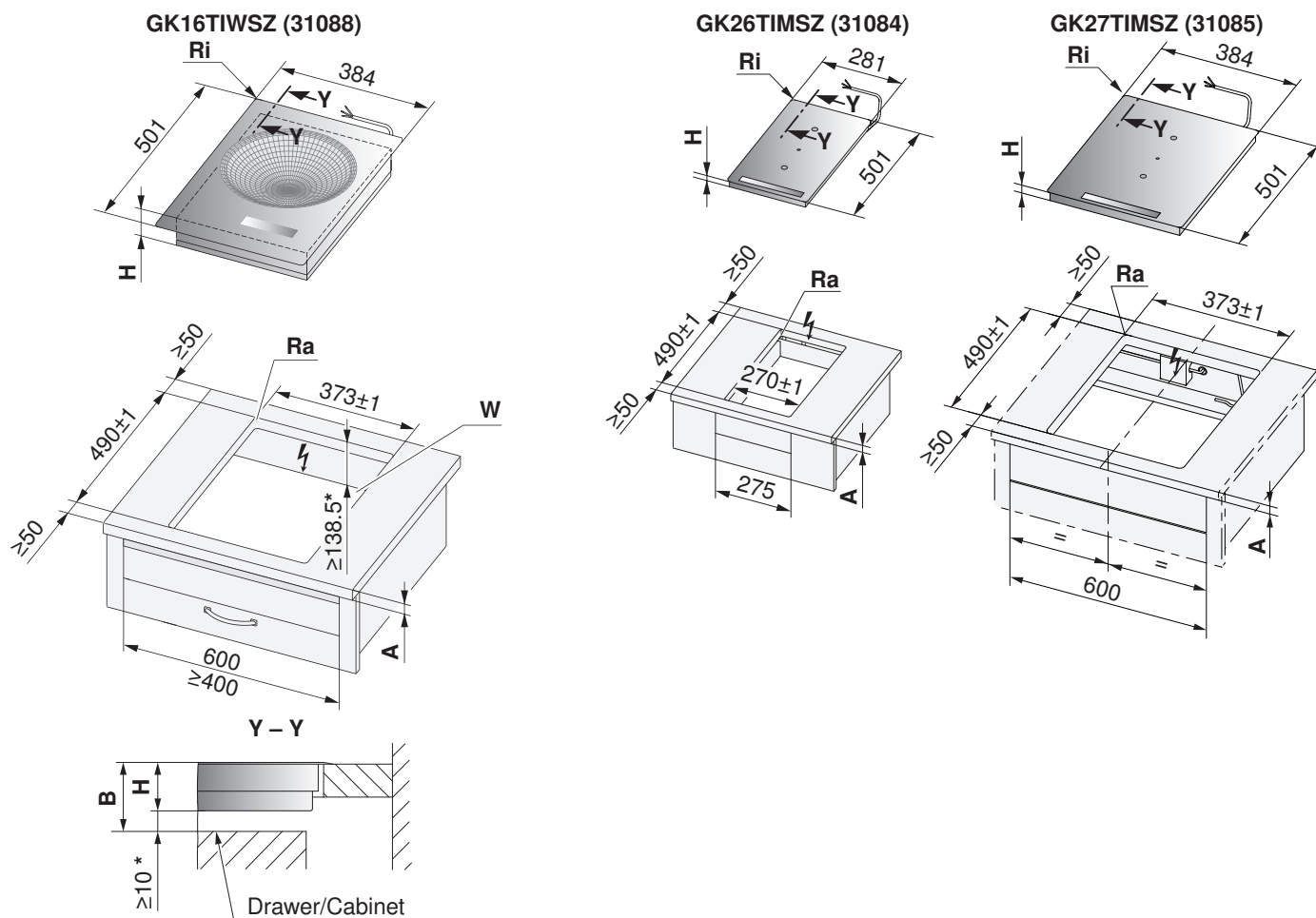
A Worktop depth

B Required clearance for service replacement over the entire cut-out area.

H Dimension from the top of the work surface to the underside of the hob

Ri Corner radii of appliance

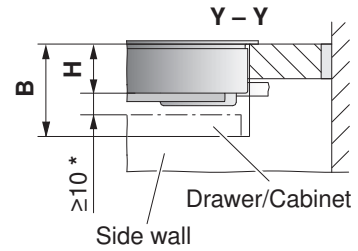
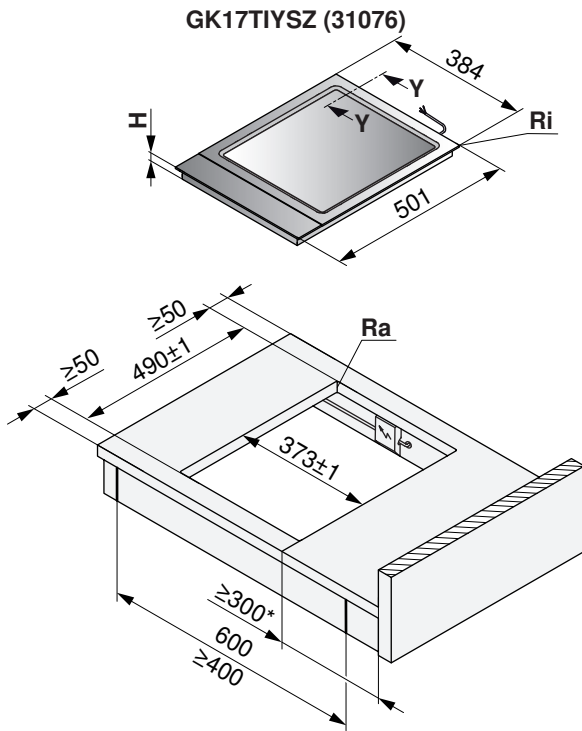
Ra Outer corner radii of cut-out



* The required clearance must be observed!

Type	A Depends on producer	B	H	Corner radius Ra/Ri
GK16TIWSZ	≥20 mm	≥138.5 mm	128.5 mm	5/1.5 mm
GK26TIMSZ, GK27TIMSZ		≥61.7 mm	51.7 mm	

- A** Worktop depth (only applies in combination with directly built-under oven / steam cooker with type of construction 60-600, without Combi-Steam MSLQ)
- B** Required clearance for ventilation and service replacement over the entire cut-out area.
- H** Dimension from the top of the work surface to the underside of the hob (ventilation opening)
- Ri** Corner radii of appliance
- Ra** Outer corner radii of cut-out



* On both sides for technical reasons.

Type	A Depends on producer	B	H	Corner radius Ra/Ri
GK17TIYSZ	≥20 mm	≥77.6 mm	64 mm	0-5/1.5 mm

A Worktop depth (only applies in combination with directly built-under oven / steam cooker with type of construction 60-600, without Combi-Steam MSLQ)

B Required clearance for ventilation and service replacement over the entire cut-out area.

H Dimension from the top of the work surface to the underside of the hob (ventilation opening)

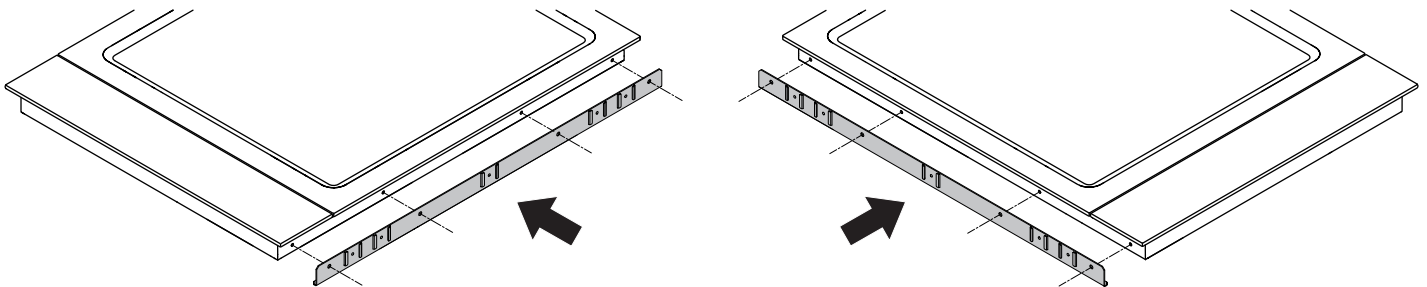
Ri Corner radii of appliance

Ra Outer corner radii of cut-out

Combination installation

For surface-mounted combination installation, the side strip set 1028587 and the intermediate support 1014361 (stainless steel) or 1019199 (black) are needed.

► The side strips must be fixed on the left-hand and right-hand side of the appliance with four screws on each side.

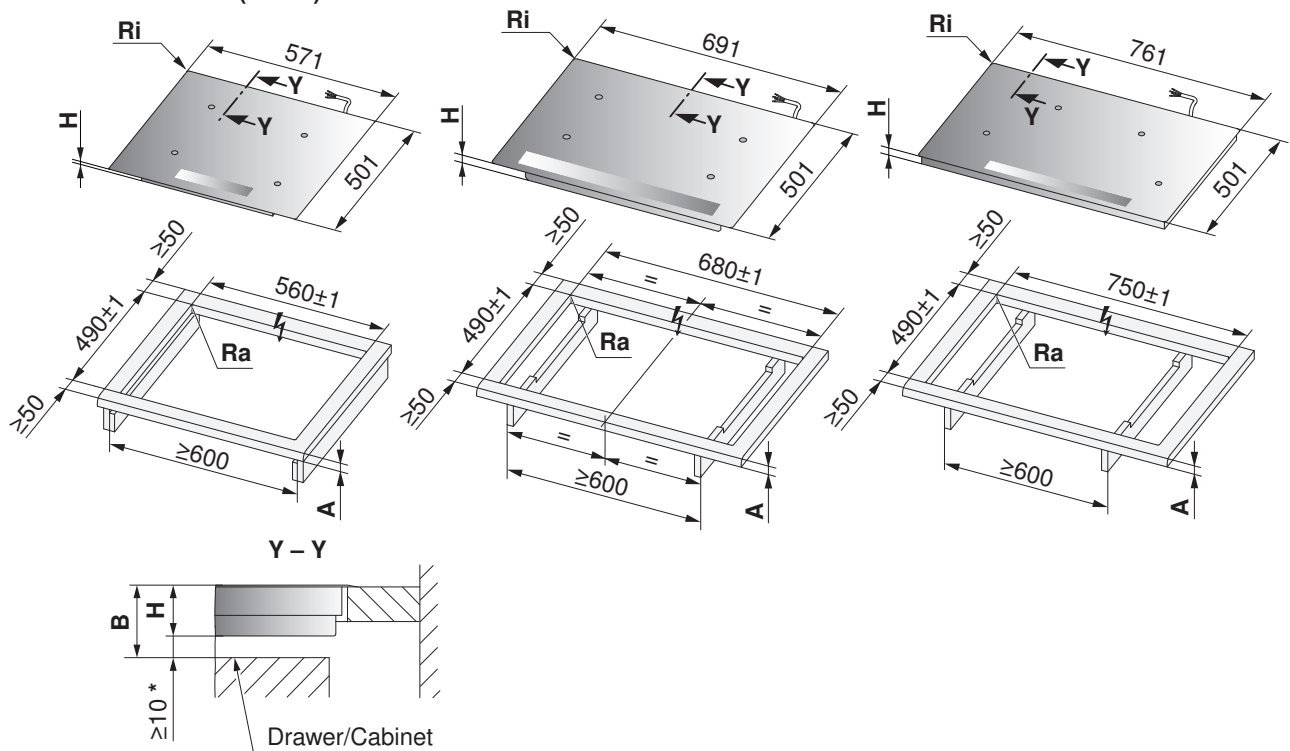


Surface-mounted combination installation is described in document 1013773.

**CTI4T64MMSOLD (31115),
GK46TIGZ (31078), GK46TIMGZ (31090),
GK46TIMSZO (31086)**

CTI4T74MMSOLD (31116)

GK46TIMASZO (31091)

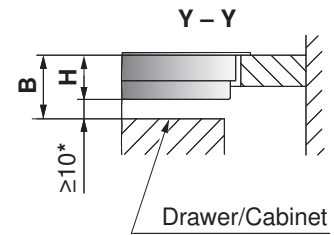
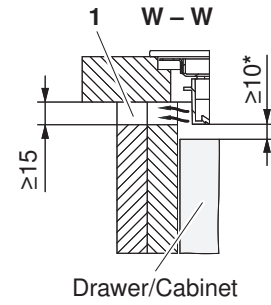
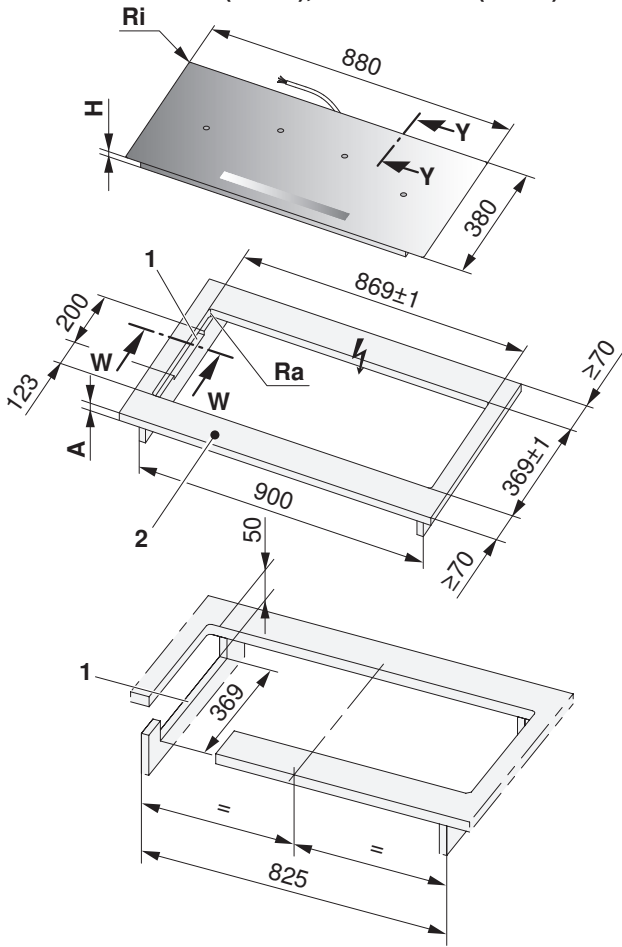


* The required clearance must be observed!

Type	A Depends on producer	B	H	Corner radius Ra/Ri
CTI4T64MMSOLD, CTI4T74MMSOLD, GK46TIGZ, GK46TIMASZO, GK46TIMGZ, GK46TIMSZO	≥20 mm	≥60 mm	50 mm	5/1.5 mm

- A** Worktop depth (only applies in combination with directly built-under oven / steam cooker with type of construction 60-600, without Combi-Steam MSLQ)
- B** Required clearance for ventilation and service replacement over the entire cut-out area.
- H** Dimension from the top of the work surface to the underside of the hob (ventilation opening)
- Ri** Corner radii of appliance **Ra** Outer corner radii of cut-out

GK46TIMPSZ (31080), GK47TIMPSZ (31079)



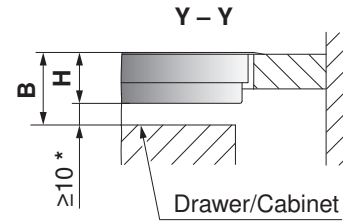
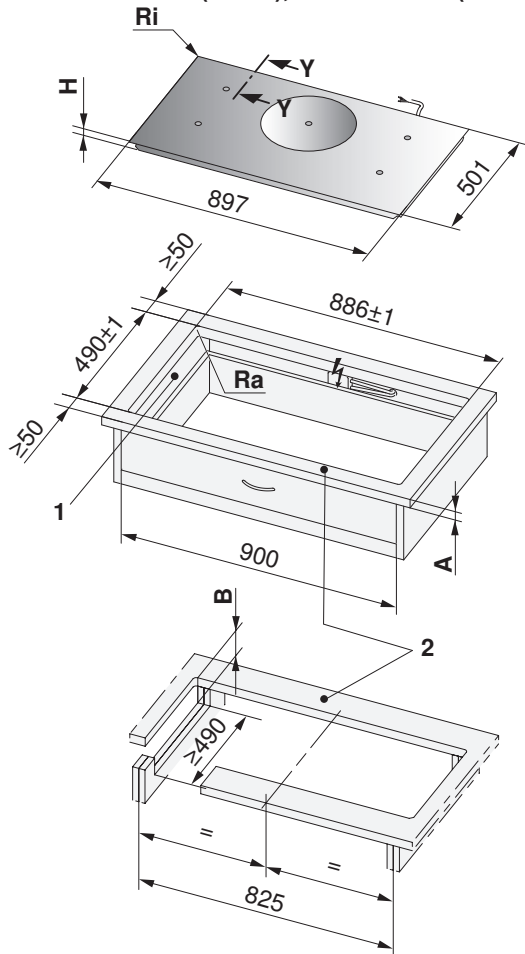
* The required clearance must be observed!

- 1 Cut-outs in left/right side panels for a niche width of 900 mm, required for appliance ventilation.
- 2 The front and rear pegs are reinforced underneath. The strut width is determined by the producer of the stone worktop. The minimum peg width can vary according to the properties of the stone.

Type	A Depends on producer	B	H	Corner radius Ra/Ri
GK46TIMPSZ, GK47TIMPSZ	≥20 mm	≥61 mm	51 mm	5/1.5 mm

- A** Worktop depth (only applies in combination with directly built-under oven / steam cooker with type of construction 60-600, without Combi-Steam MSLQ)
- B** Required clearance for ventilation and service replacement over the entire cut-out area.
- H** Dimension from the top of the work surface to the underside of the hob (ventilation opening)
- Ri** Corner radii of appliance
- Ra** Outer corner radii of cut-out

CTI6T95MMSOLD (31114), GK57TIMSZO (31082)



* The required clearance must be observed!

- 1 Cut-outs in left/right side panels for a niche width of 900 mm, required for appliance ventilation.
- 2 The front and rear pegs are reinforced underneath. The strut width is determined by the producer of the stone worktop. The minimum peg width can vary according to the properties of the stone.

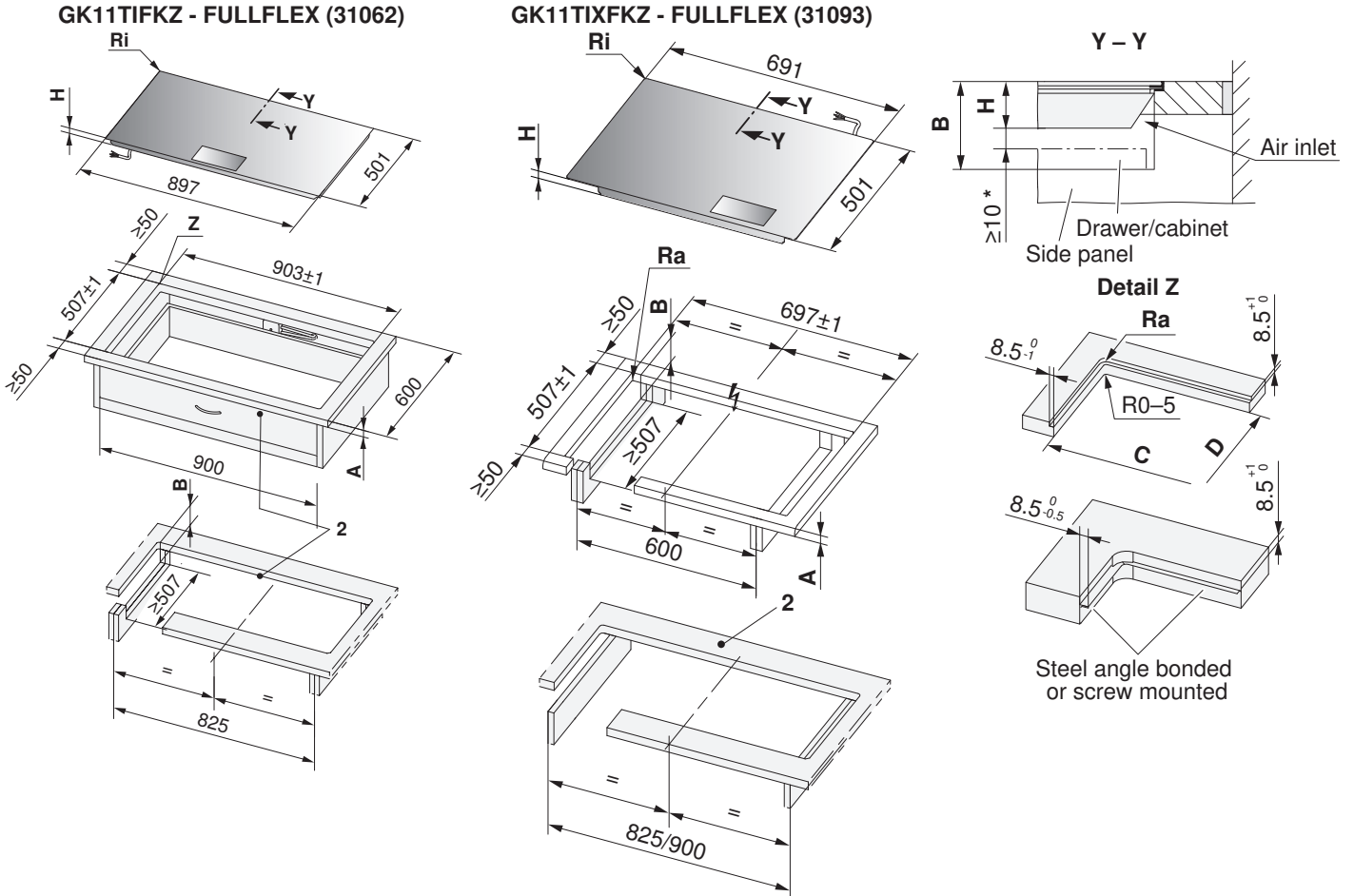
Type	A Depends on producer	B	H	Corner radius Ra/Ri
CTI6T95MMSOLD, GK57TIMSZO	≥20 mm	≥75 mm	53.3 mm	5/1.5 mm

- A** Worktop depth (only applies in combination with directly built-under oven / steam cooker with type of construction 60-600, without Combi-Steam MSLQ)
- B** Required clearance for ventilation and service replacement over the entire cut-out area.
- H** Dimension from the top of the work surface to the underside of the hob (ventilation opening)
- Ri** Corner radii of appliance
- Ra** Outer corner radii of cut-out

8.7 Flush installation with «DualDesign»



Hob must be removable from below!



* The required clearance must be observed!

2 The front and rear pegs are reinforced underneath. The strut width is determined by the producer of the stone worktop. The minimum peg width can vary according to the properties of the stone.

Type	A Depends on producer	B	C/D	H	Corner radius Ra/Ri
GK11TIFKZ, GK11TIXFKZ	≥40 mm	≥150 mm	886/490 mm	76 mm	5/1.5 mm

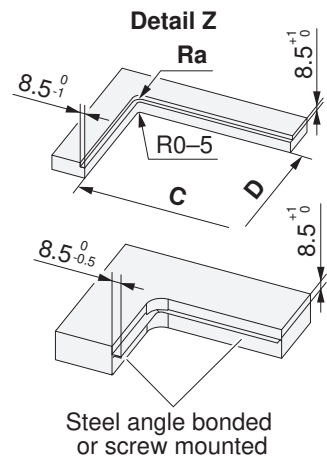
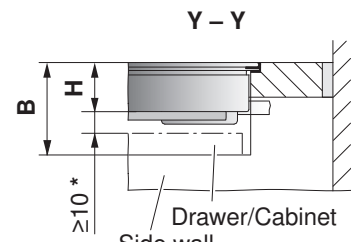
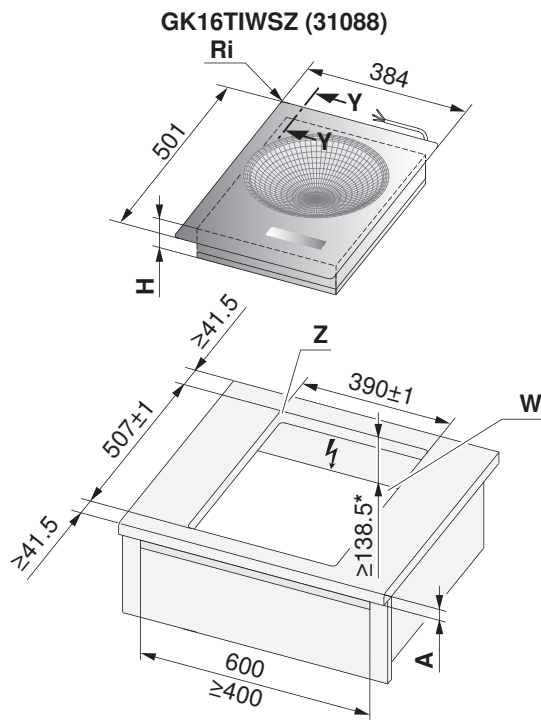
A Worktop depth

B Required clearance for service replacement over the entire cut-out area.

H Dimension from the top of the work surface to the underside of the hob

Ri Corner radii of appliance

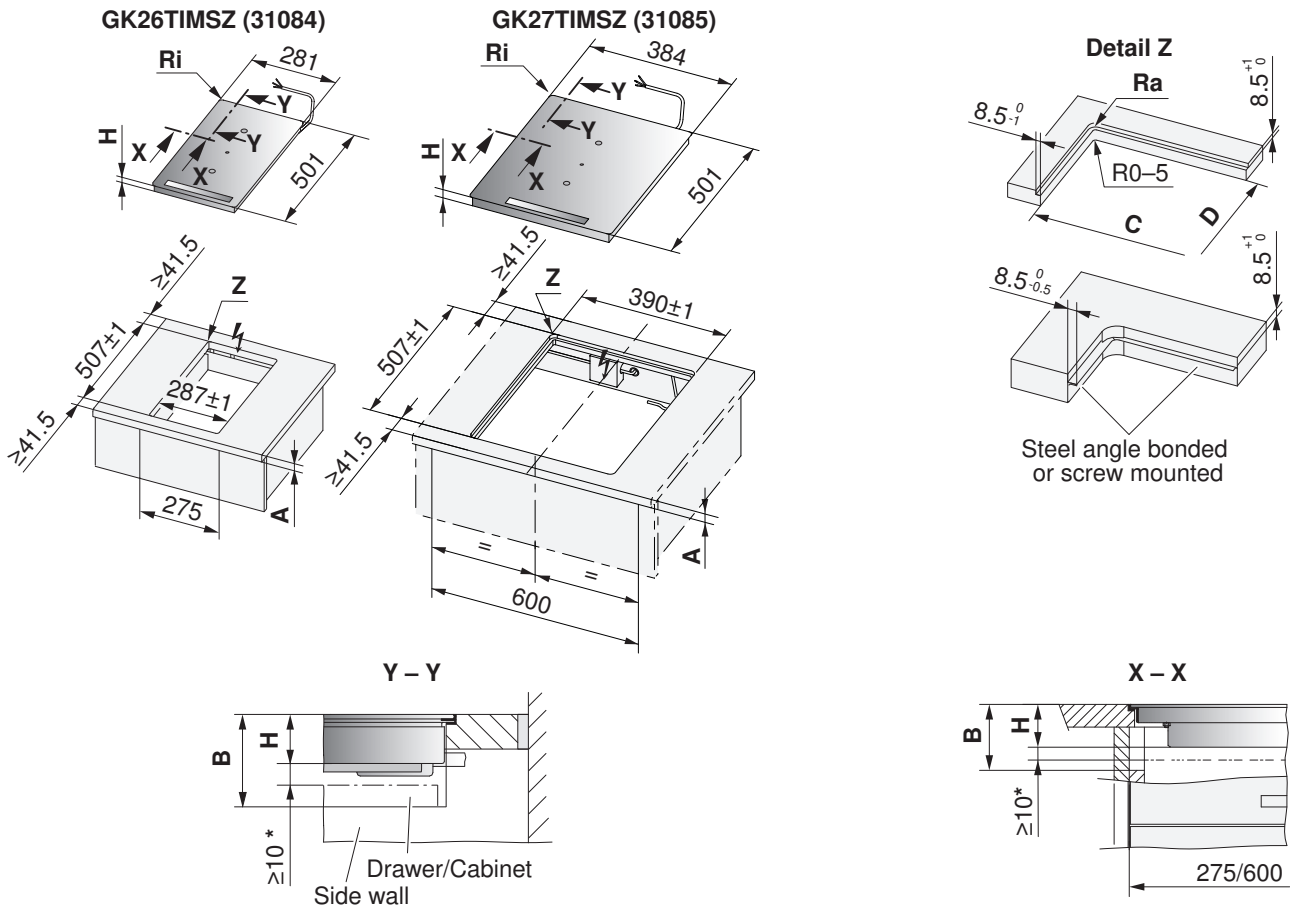
Ra Outer corner radii of cut-out



* The required clearance must be observed!

Type	A Depends on producer	B	C/D	H	Corner radius Ra/Ri
GK16TIWSZ	≥20 mm	≥205 mm	373/490 mm	128.5 mm	5/1.5 mm

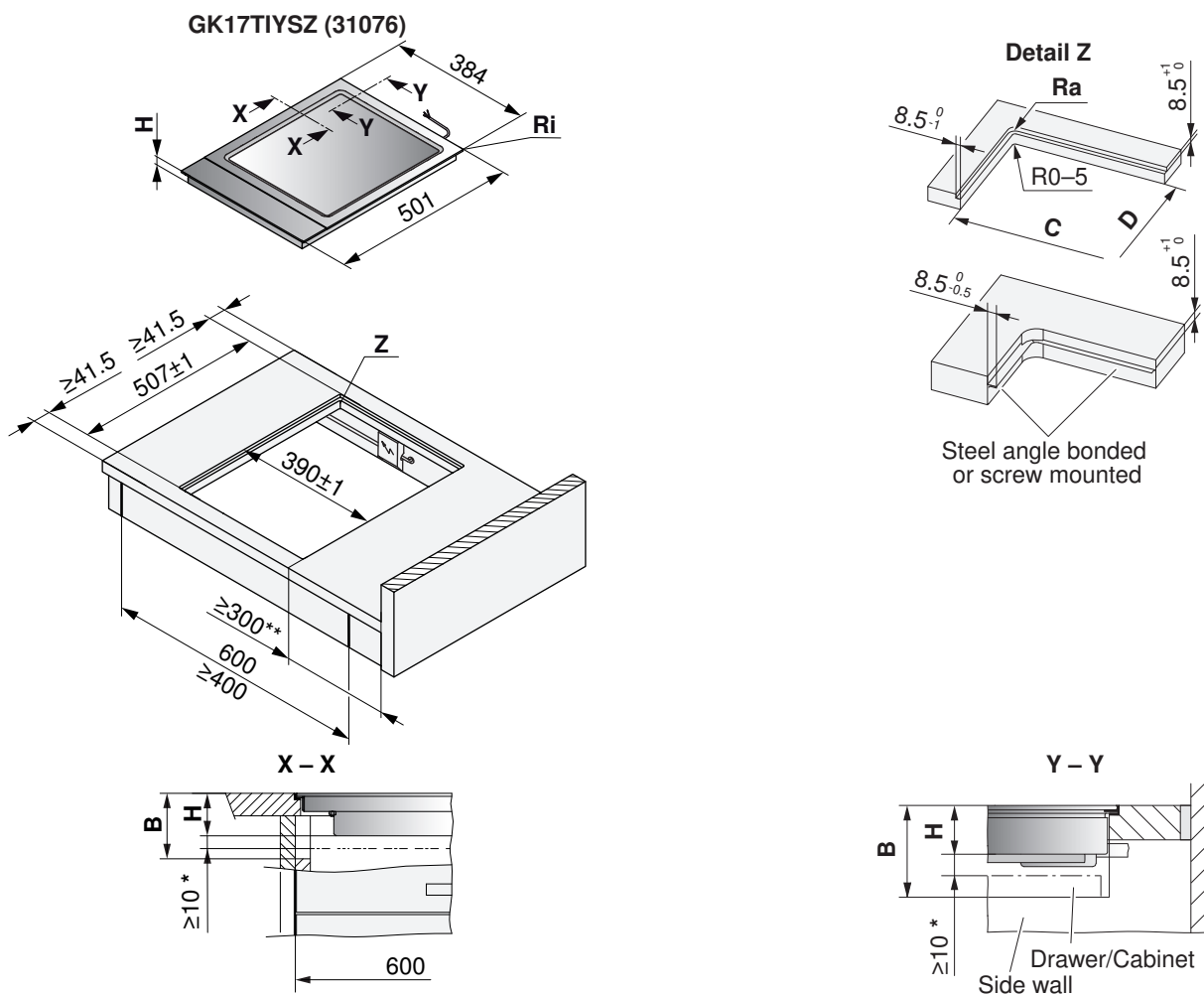
- A** Worktop depth (only applies in combination with directly built-under oven / steam cooker with type of construction 60-600, without Combi-Steam MSLQ)
- B** Required clearance for ventilation and service replacement over the entire cut-out area.
- H** Dimension from the top of the work surface to the underside of the hob (ventilation opening)
- Ri** Corner radii of appliance
- Ra** Outer corner radii of cut-out



* The required clearance must be observed!

Type	A Depends on producer	B	C/D	H	Corner radius Ra/Ri
GK26TIMSZ	≥20 mm	≥75 mm	270/490 mm	51.7 mm	5/1.5 mm
GK27TIMSZ			373/490 mm		

- A** Worktop depth (only applies in combination with directly built-under oven / steam cooker with type of construction 60-600, without Combi-Steam MSLQ)
- B** Required clearance for ventilation and service replacement over the entire cut-out area.
- H** Dimension from the top of the work surface to the underside of the hob (ventilation opening)
- Ri** Corner radii of appliance **Ra** Outer corner radii of cut-out



* The required clearance (for ventilation) must be observed!

** On both sides for technical reasons.

Type	A Depends on producer	B	C/D	H	Corner radius Ra/Ri
GK17TIYSZ	≥20 mm	≥73.6 mm	373/490 mm	64 mm	5/1.5 mm

A Worktop depth (only applies in combination with directly built-under oven / steam cooker with type of construction 60-600, without Combi-Steam MSLQ)

B Required clearance for ventilation and service replacement over the entire cut-out area.

H Dimension from the top of the work surface to the underside of the hob (ventilation opening)

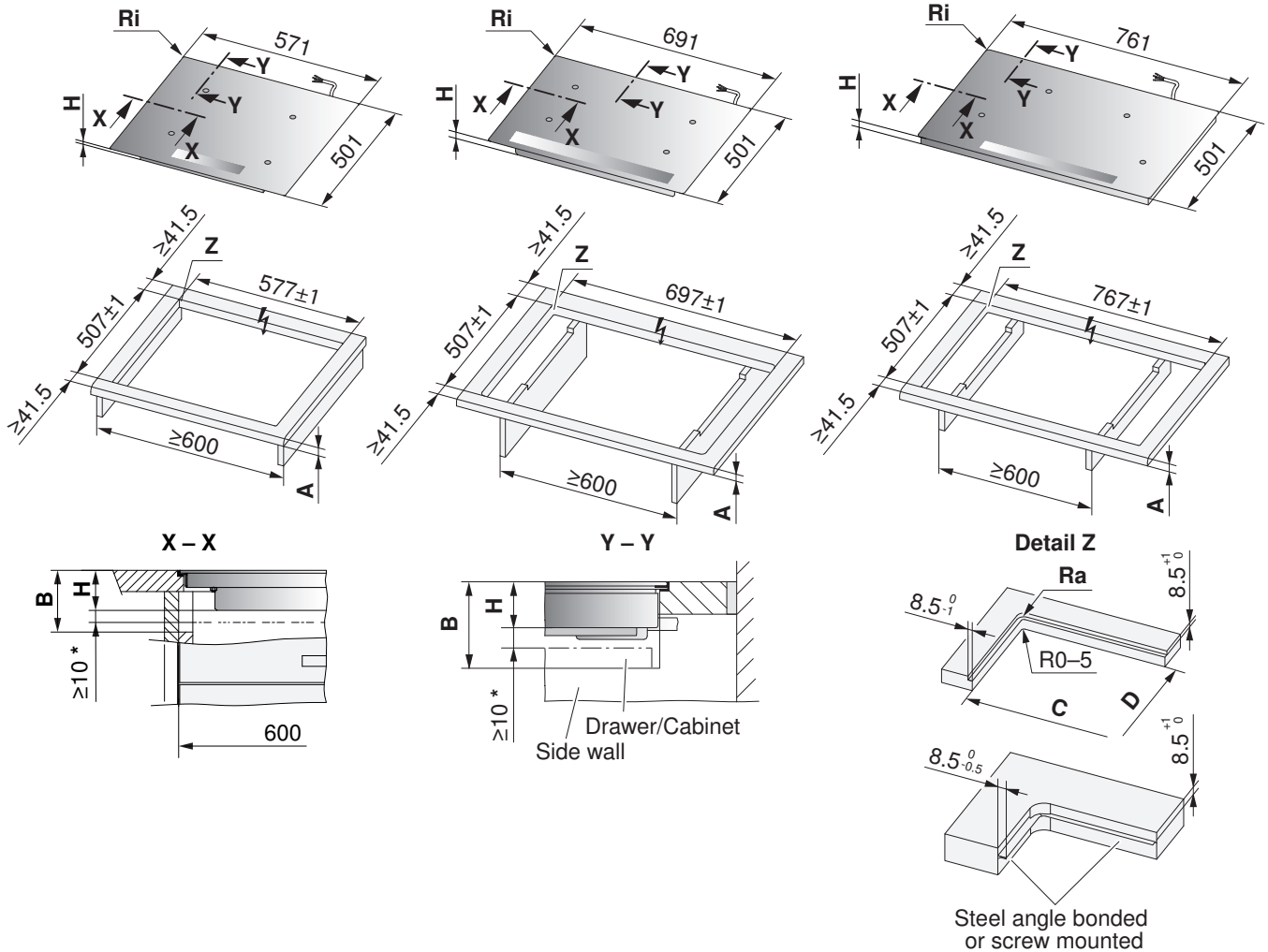
Ri Corner radii of appliance

Ra Outer corner radii of cut-out

**CTI4T64MMSOLD (31115),
 GK46TIGZ (31078), GK46TIMGZ (31090),
 GK46TIMSZO (31086)**

CTI4T74MMSOLD (31116)

GK46TIMASZO (31091)



* The required clearance (for ventilation) must be observed!

Type	A Depends on producer	B	C/D	H	Corner radius Ra/Ri
CTI4T64MMSOLD, GK46TIGZ, GK46TIMGZ, GK46TIMSZO	≥20 mm	≥75 mm	560/490 mm	51.7 mm	5/1.5 mm
CTI4T74MMSOLD	680/490 mm				
GK46TIMASZO	750/490 mm				

A Worktop depth (only applies in combination with directly built-under oven / steam cooker with type of construction 60-600, without Combi-Steam MSLQ)

B Required clearance for ventilation and service replacement over the entire cut-out area.

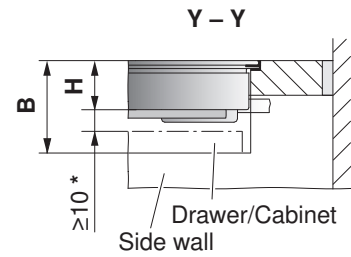
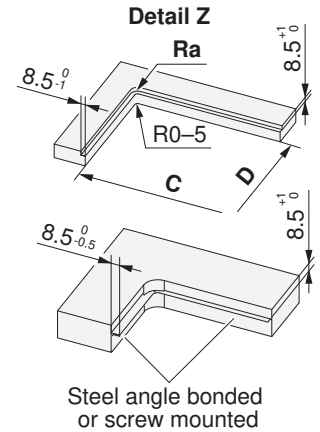
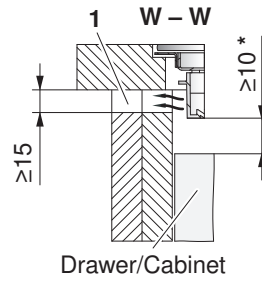
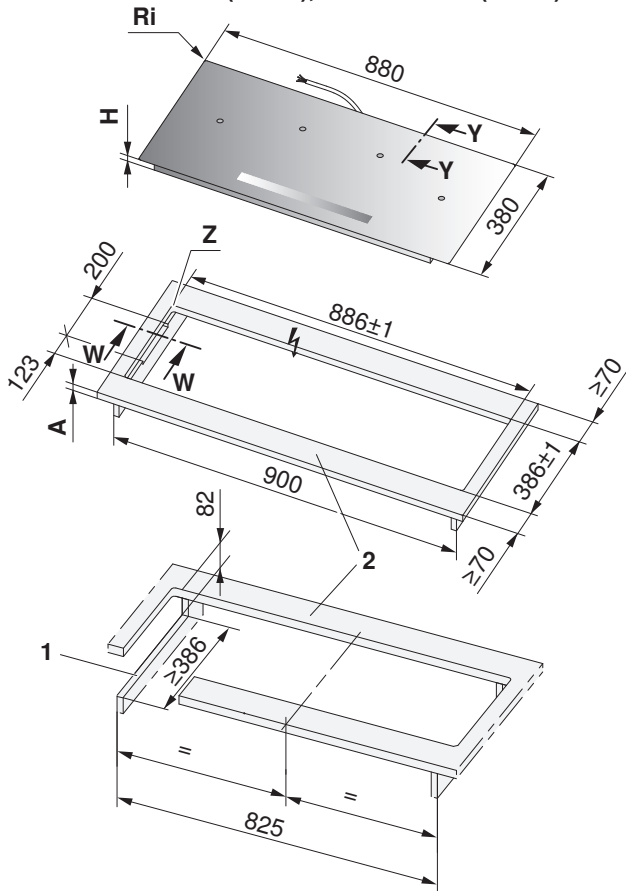
H Dimension from the top of the work surface to the underside of the hob (ventilation opening)

Ri Corner radii of appliance

Ra Outer corner radii of cut-out



GK46TIMPSZ (31080), GK47TIMPSZ (31079)



* The required clearance must be observed!

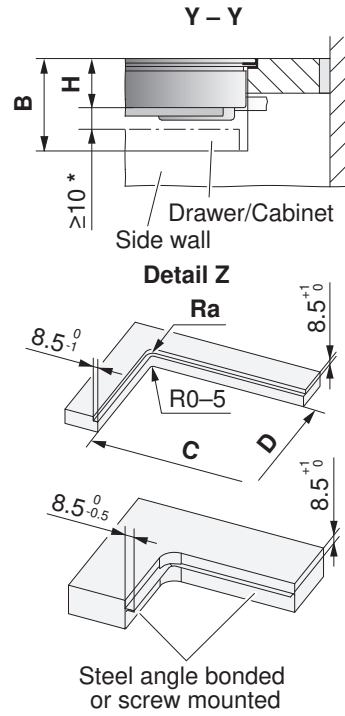
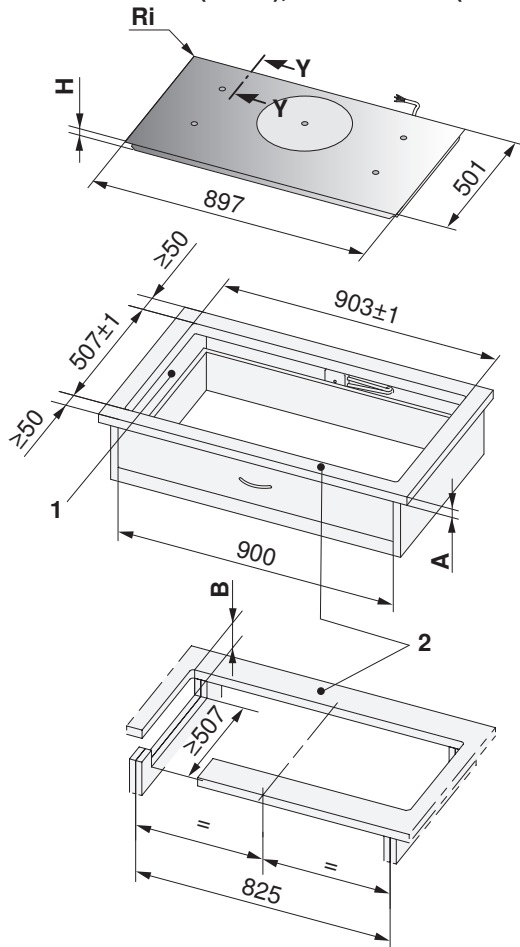
- 1 Cut-outs in left/right side panels for a niche width of 900 mm, required for appliance ventilation.
- 2 The front and rear pegs are reinforced underneath. The strut width is determined by the producer of the stone worktop. The minimum peg width can vary according to the properties of the stone.

Type	A Depends on producer	B	C/D	H	Corner radius Ra/Ri
GK46TIMPSZ, GK47TIMPSZ	≥20 mm	≥75 mm	869/369 mm	51 mm	5/1.5 mm

- A** Worktop depth (only applies in combination with directly built-under oven / steam cooker with type of construction 60-600, without Combi-Steam MSLQ)
- B** Required clearance for ventilation and service replacement over the entire cut-out area.
- H** Dimension from the top of the work surface to the underside of the hob (ventilation opening)
- Ri** Corner radii of appliance
- Ra** Outer corner radii of cut-out



CTI6T95MMSOLD (31114), GK57TIMSZO (31082)



* The required clearance must be observed!

- 1 Cut-outs in left/right side panels for a niche width of 900 mm, required for appliance ventilation.
- 2 The front and rear pegs are reinforced underneath. The strut width is determined by the producer of the stone worktop. The minimum peg width can vary according to the properties of the stone.

Type	A Depends on producer	B	C/D	H	Corner radius Ra/Ri
CTI6T95MMSOLD, GK57TIMSZO	≥20 mm	≥75 mm	886/490 mm	53.3 mm	5/1.5 mm

- A Worktop depth (only applies in combination with directly built-under oven / steam cooker with type of construction 60-600, without Combi-Steam MSLQ)
- B Required clearance for ventilation and service replacement over the entire cut-out area.
- H Dimension from the top of the work surface to the underside of the hob (ventilation opening)
- Ri Corner radii of appliance
- Ra Outer corner radii of cut-out



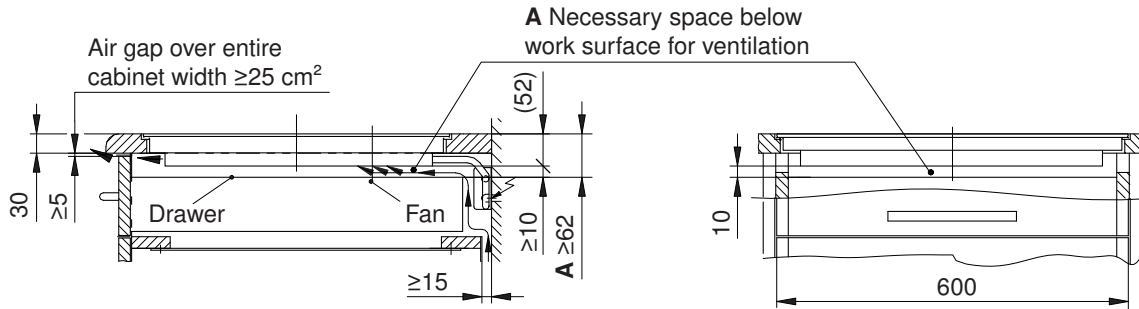
8.8 Installation without protective plate



Requirements for optimal ventilation:

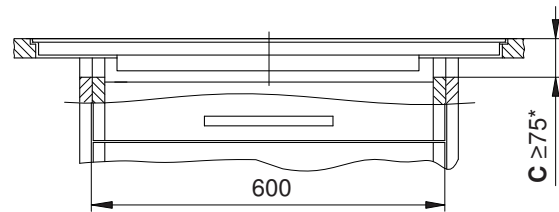
- a front-facing air gap of ≥ 5 mm
- a space of ≥ 10 mm in height beneath the appliance
- a worktop depth of ≥ 20 mm to ≤ 40 mm
- a supply of fresh air (≥ 15 mm air gap) is essential for the trouble-free operation of the hob.

CTI4T64MMSOLD, GK26TI..., GK27TI..., GK46TI..., GK47TI...

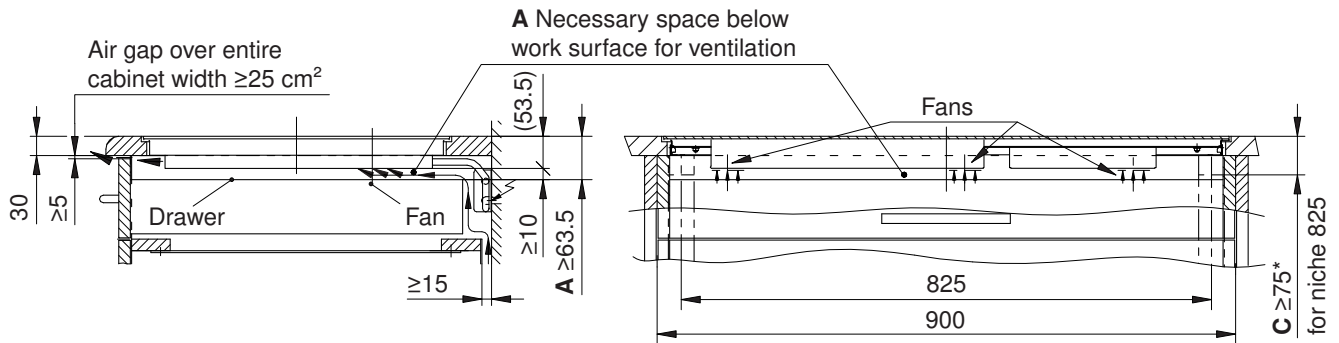


CTI4T74MMSOLD, GK46TIMAS...

See diagram above

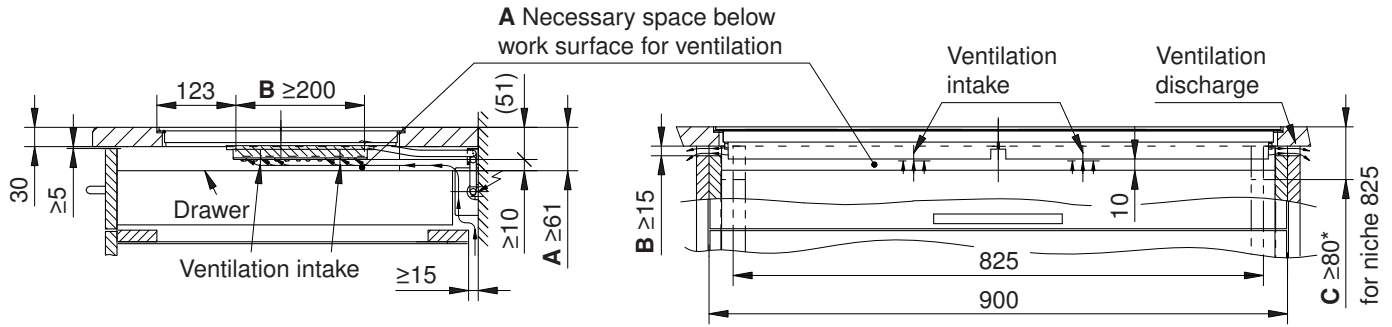


CTI6T95MMSOLD, GK57TIMS...

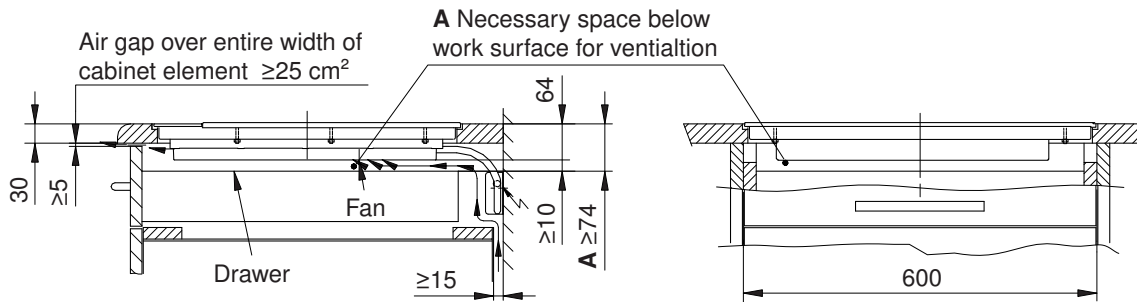


- * Required for flush appliances
- A** Necessary space below the worktop for the ventilation of the appliance.
- B** Cut-out in the side walls left/right is necessary for the ventilation of the appliance.
- C** Cut-out in the side walls for disassembly from below, only for flush version

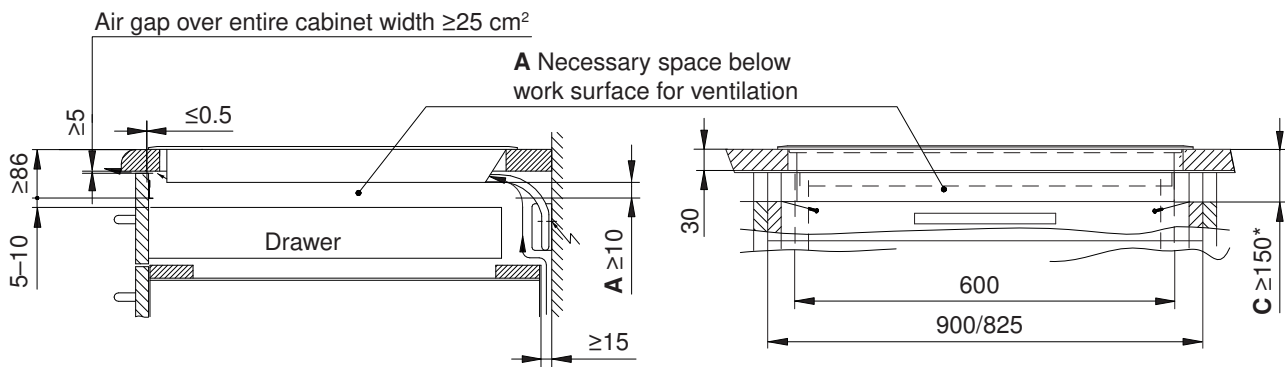
GK46TIMPS..., GK47TIMPS...



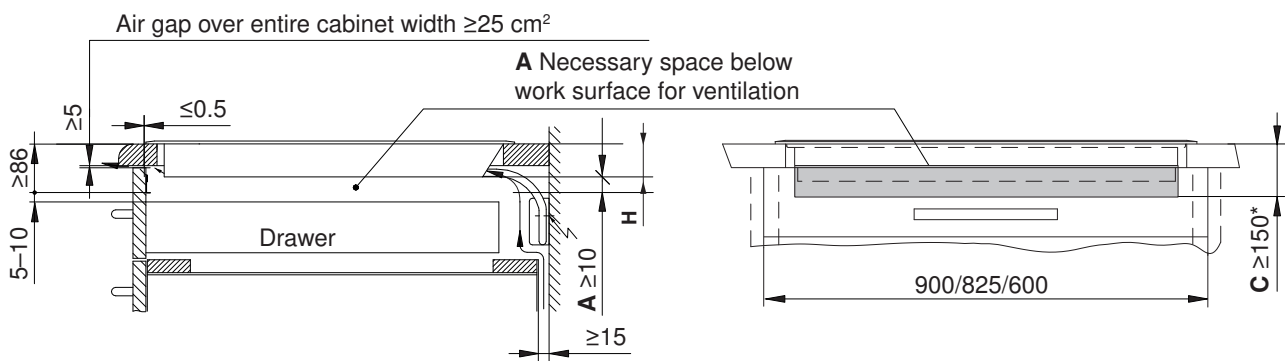
GK17TIYSZ



GK11TIFKZ...



GK11TIXFKZ...



- * Required for flush appliances
- A** Necessary space below the worktop for the ventilation of the appliance.
- B** Cut-out in the side walls left/right is necessary for the ventilation of the appliance.
- C** Cut-out in the side walls for disassembly from below, only for flush version

8.9 Installation with protective plate

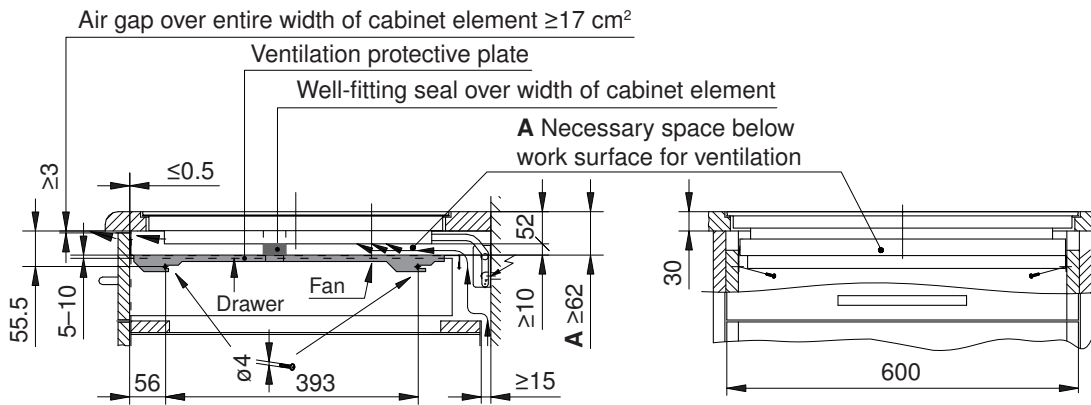
For more information, see the Accessories (see page 122) section.



Requirement for optimal ventilation:

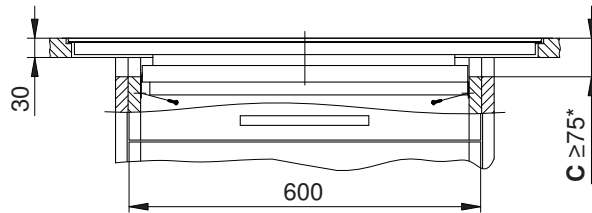
- Front-facing air gap of ≥ 3 mm (with protective plate)
- Distance of ≥ 10 mm between protective plate and ventilation opening
- Worktop depth of ≥ 20 mm to ≤ 40 mm
- a supply of fresh air (≥ 15 mm air gap) is essential for the trouble-free operation of the hob.

CTI4T64MMSOLD, GK26TI..., GK27TI..., GK46TI..., GK47TI...

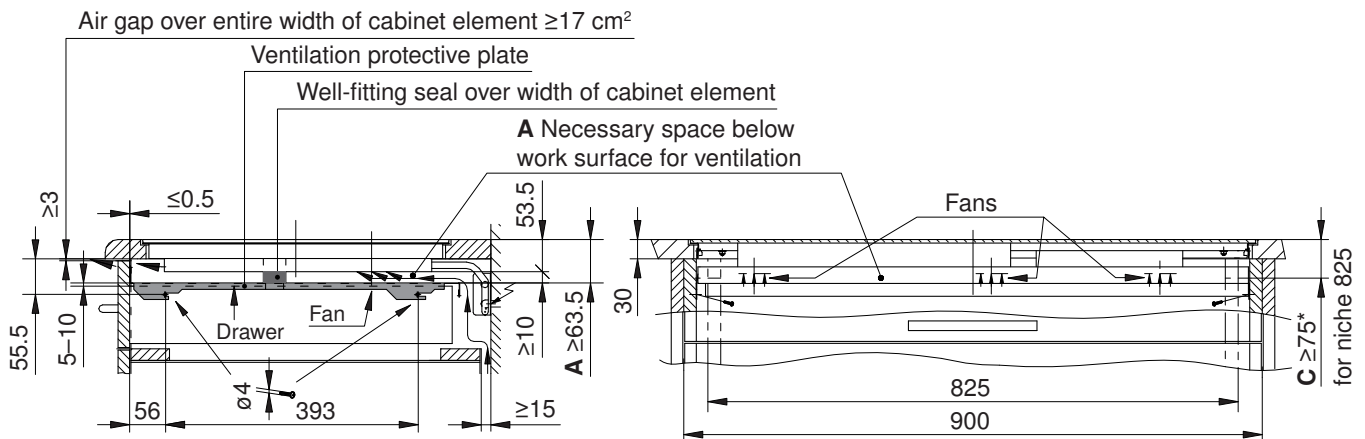


CTI4T74MMSOLD, GK46TIMAS...

See diagram above



CTI6T95MMSOLD, GK57TIMS...



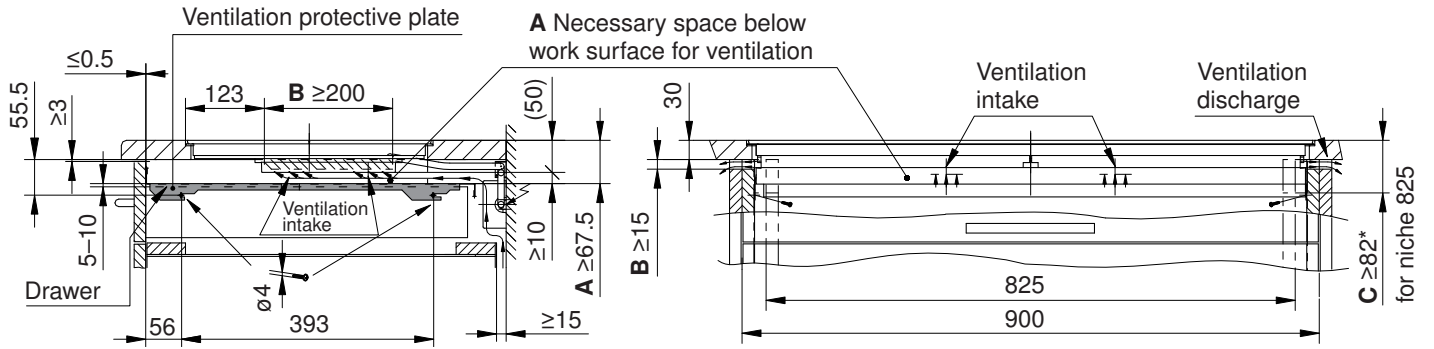
* Required for flush appliances

A Necessary space below the worktop for the ventilation of the appliance.

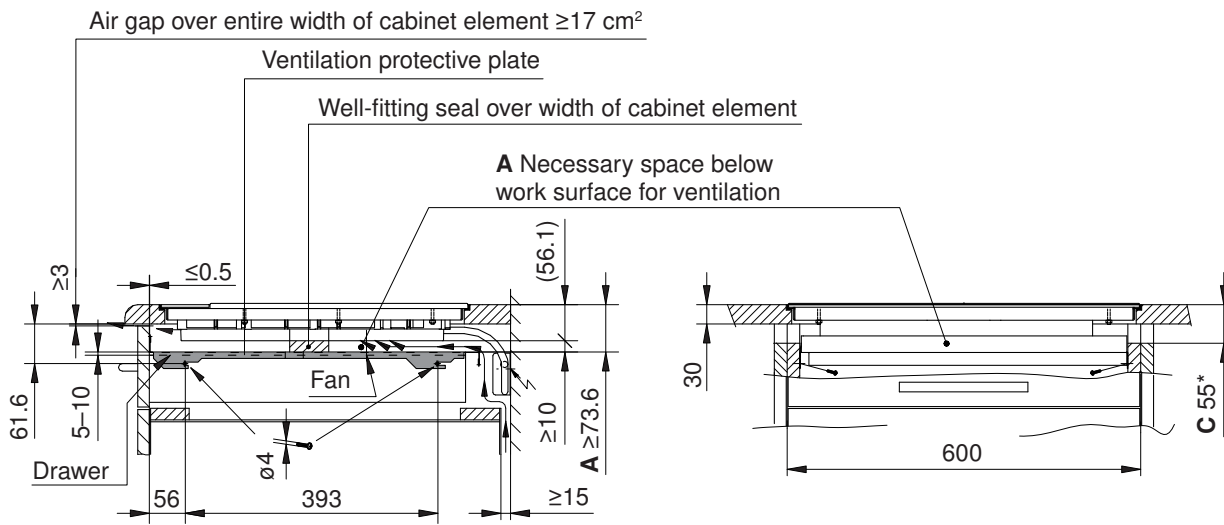
C Cut-out in the side walls for disassembly from below, only for flush version



GK46TIMPS..., GK47TIMPS...



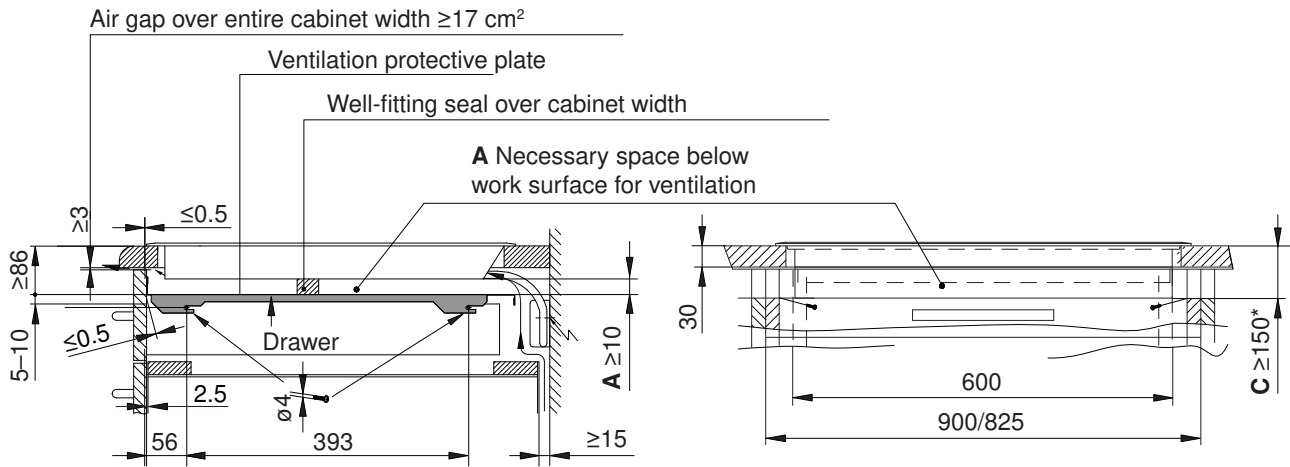
GK17TIYSZ



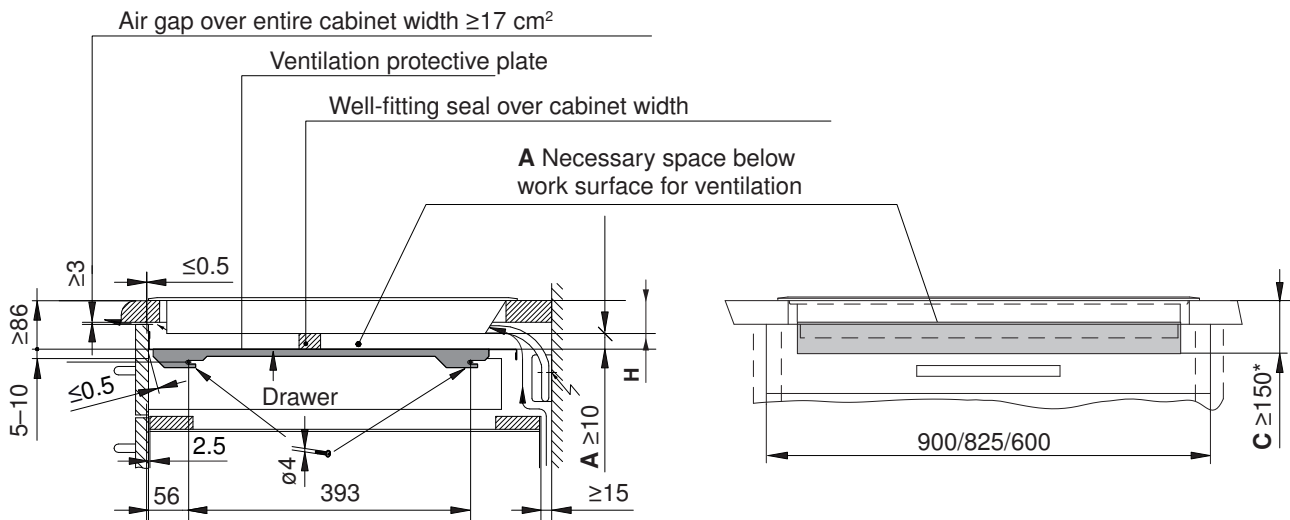
- * Required for flush appliances
- A** Necessary space below the worktop for the ventilation of the appliance.
- B** Cut-out in the side walls is necessary for the ventilation of the appliance.
- C** Cut-out in the side walls for disassembly from below, only for flush version



GK11TIFKZ...



GK11TIXFKZ...

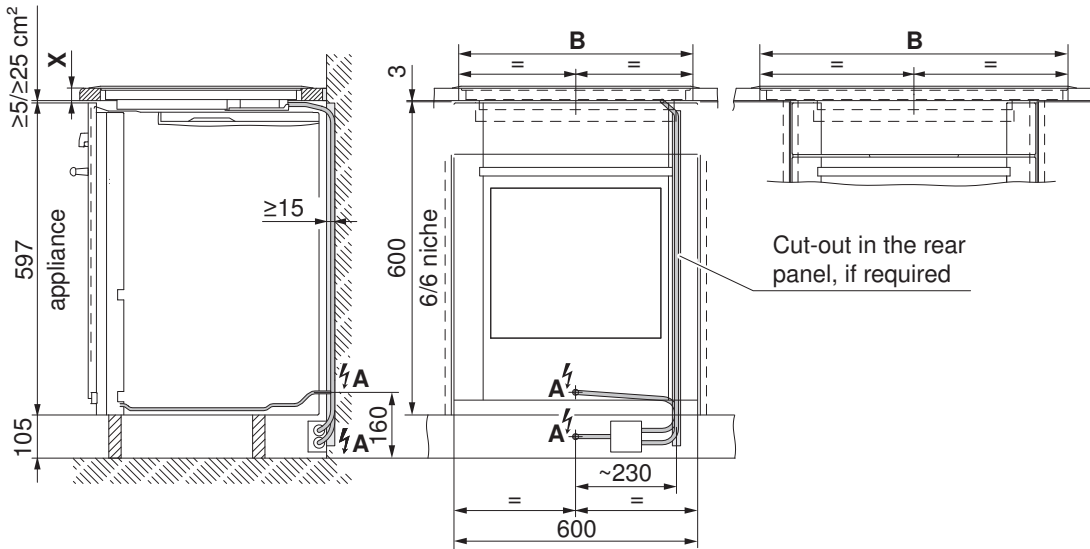


- * Required for flush appliances
- A Necessary space below the worktop for the ventilation of the appliance.
- B Cut-out in the side walls is necessary for the ventilation of the appliance.
- C Cut-out in the side walls for disassembly from below, only for flush version

8.10 Installing above oven / steam cooker

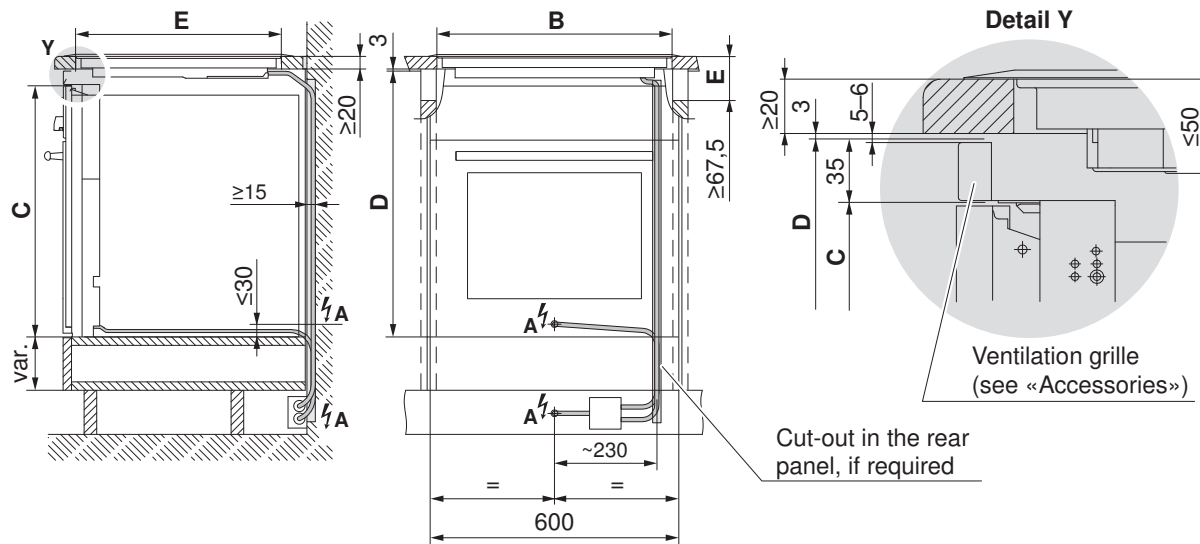
It is not intended that a Combi-Steam MSLQ with construction type 60-600 be installed.
 It is not intended that an oven be installed below the following hobs: CTI6T95MMSOLD, GK46TIMPS..., GK11TIFKZ

Type of construction: 60-600



With the use of a ventilation grille (see section Accessories (see page 122))

Type of construction 60-381: Combi-Steam HSL, Steam HSE, Comhair HSE
 Type of construction 60-450: Combi-Steam XSL, Comhair XSL, Comhair XSE
 Type of construction 60-600: Comhair-Steam SL, Comhair-Steam SE, Comhair SLP, Comhair SL, Comhair SEP, Comhair SE



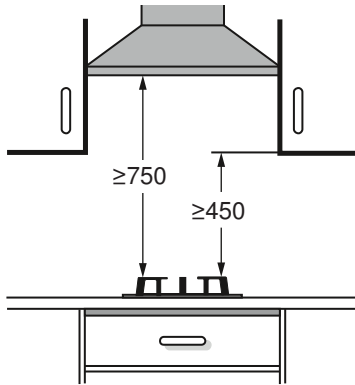
- A** Possible mains supply connections
- B** Mounting cut-outs
- C** Appliance height: 59.8 cm (type of construction: 60-600), 37.8 cm (type of construction: 60-381), 45.4 cm (type of construction: 60-450)
- D** Niche height: 63.5 cm (type of construction: 60-600), 41.6 cm (type of construction: 60-381), 45.0 cm (type of construction: 60-450)
- E** Cut-outs in side walls for hobs larger than niche width
- X** GK26TIMS, GK46TIM, GK46TIMAS: ≥25 mm
 Other hobs: ≥30 mm

9 Gas hobs



The distance from the appliance cut-out to the back wall must be ≥ 50 mm and to the side walls ≥ 200 mm. Parts such as side walls and reinforcing strips which protrude into the installation space under the cooking zone must be made of fire-resistant material.

The distance between the underside of the appliance tray and any part of the cabinet beneath that is made of combustible material must be ≥ 20 mm.



When a range hood is installed above the gas hob, the minimum distance given for the particular range hood must be observed.

Furthermore, the minimum distances illustrated must be strictly complied with even if a lower value is stated for the range hood.

A gas hob cannot be built in directly over another appliance due to the installation depth and the gas connection.

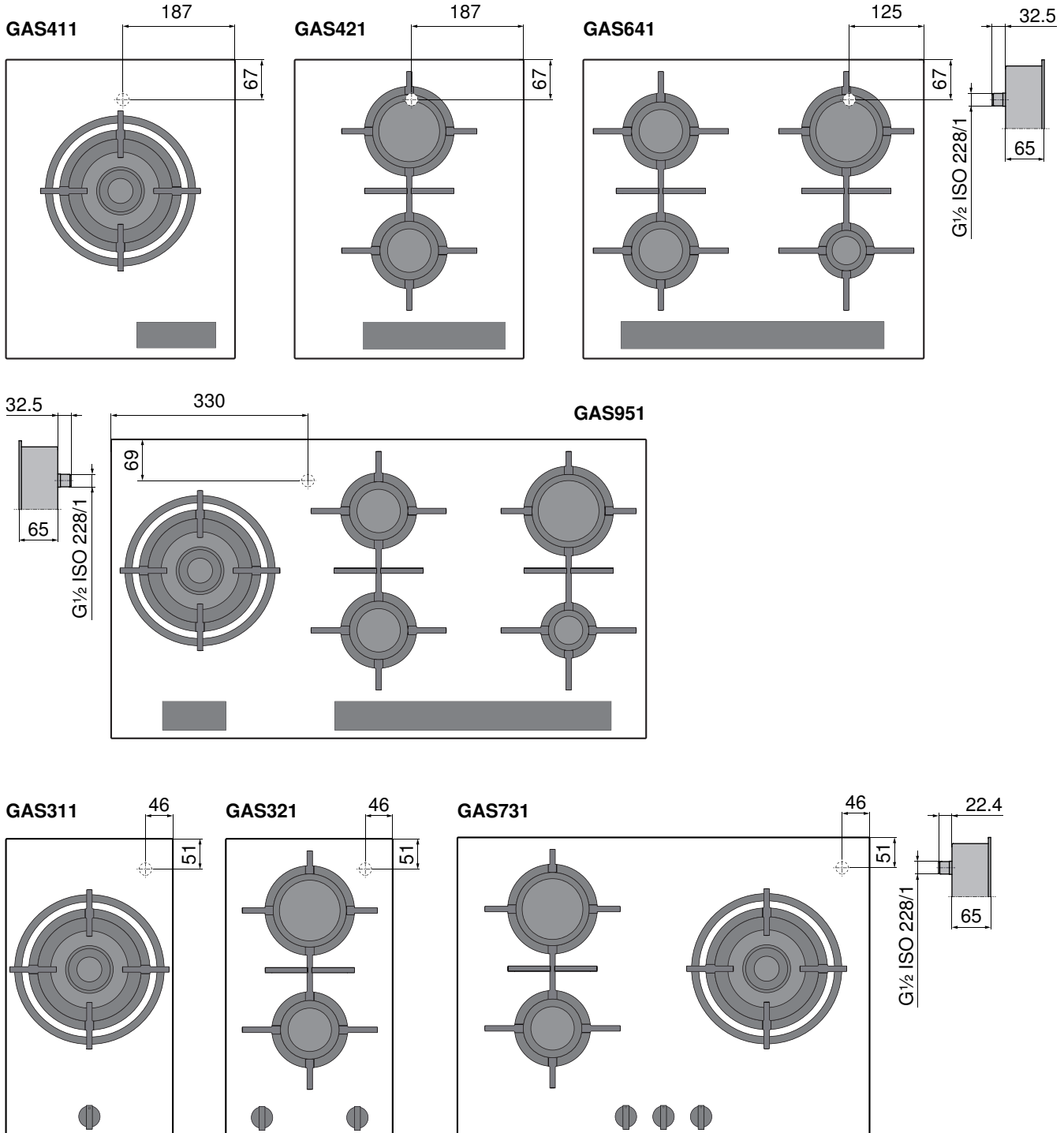
9.1 Electrical connection data

Appliance	Country group *	Mains connection	Fuse	Rated load	Mains cable
GAS411GSBZ, GAS421GSBZ, GAS731GKBZ, GAS951GSBZ	D	220–240 V~50/60 Hz	≥ 3 A	<20 W	1.7 m, with plug
GAS411GSAZ, GAS421GSAZ, GAS641GSAZ, GAS951GSAZ	A, B, E				1.7 m, without plug
GAS311GKBZ, GAS321GKBZ, GAS411GSBZ, GAS421GSBZ, GAS731GKBZ, GAS951GSBZ	C, F				1.7 m, with plug

* Country group (see page 2)

9.2 Gas connection

The gas connection and the conversion to another gas type must be carried out by an authorized installer.





- ▶ The gas connection must be positioned so that the stop-cock and the supply connection point are accessible with the appliance installed.
- ▶ The gas connection must be positioned so that it does not get detrimentally hot during operation. In particular, the gas hose assemblies and the appliance's connection fittings must be clear of hot exhaust gases (e.g. from an oven).
- ▶ It must be ensured that the gas hose and the mains connection do not touch any hot parts of the appliance, otherwise the gas hose and the mains cable could become damaged through heat.
- ▶ A flexible connection lead (max. length 1.5 m) must be positioned so that it runs freely and does not come into contact with any movable parts of the kitchen cabinets (e.g. a drawer).

1/2-inch metric thread

The gas connection on the appliance has a 1/2-inch external thread in accordance with ISO 228/1. If the gas installation on site already has a corresponding counterpart, the gas appliance can be directly connected to it.

1/2-inch conical thread

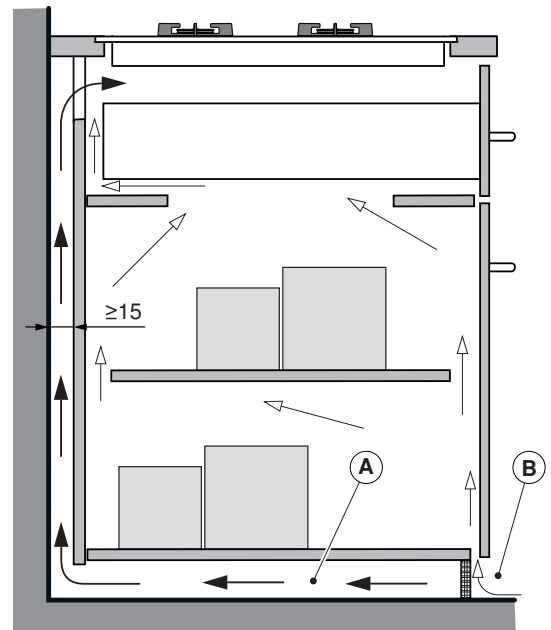
If the gas connection has a conical thread, the transition piece and sealing ring must first be screwed onto the appliance. The transition piece has a conical external thread R 1/2-inch in accordance with ISO 7/11. In the case of a conical screw connection, the thread makes the seal, which is why the thread must be sealed with hemp or Teflon tape.



9.3 Ventilation

In order to guarantee minimum ventilation, a space of ≥20 mm height is necessary beneath the appliance.

- A** The rear panel of the base unit must be open around the work surface cut-out to guarantee continuous air circulation via the ventilation slits. The air must be drawn in from outside the cabinet and be able to circulate freely from inside the cabinet to the hob.
- B** Alternatively, a concealed fresh air supply can ensure air circulation inside the cabinet. So that enough cold air can be drawn in, there must be a continuous supply of fresh air circulating till outside the cabinet. The air must be drawn in from outside the cabinet and be able to circulate freely from inside the cabinet to the hob.





9.4 Setting up appliance to use local gas type



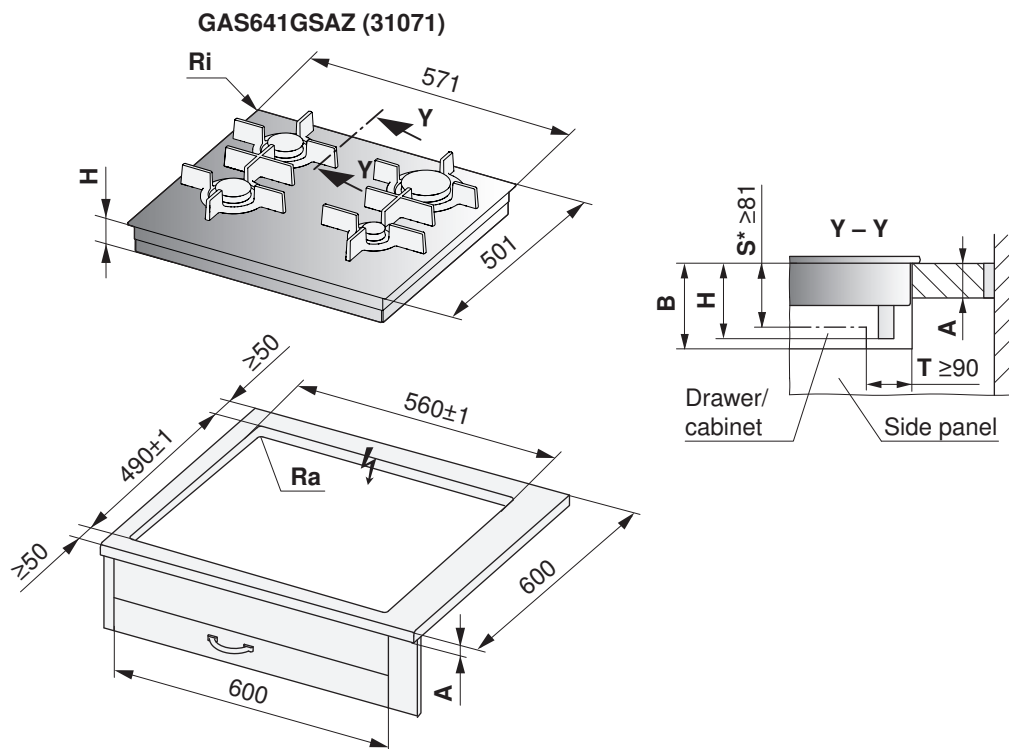
The appliance settings must match the local gas type and connection pressure. If the gas type and connection pressure have not been preset, the appliance has to be converted using the nozzle set supplied or other nozzle sets available as accessories. Information on the default gas setting as well as on the supplied and optional nozzle sets by country can be found in the catalogue. Conversion to another gas type is described in detail in the relevant installation instructions.

Overview of nozzle sets

Type	Country group *	Default gas setting	Nozzle set (supplied)	Additional nozzle sets available for country-specific combinations of gas type and connection pressure			
				Liquid gas G30, 50 mbar	Natural gas L/K (G25/G25.3), 25 mbar	Natural gas G20, 13 mbar	Natural gas G20, 25 mbar
GAS411GSAZ	A, B, E	Natural gas H, E (G20), 20 mbar	Liquid gas butane/propane (G30/31), 28–30/37 mbar	Nozzle set 1015471	Nozzle set 1015472	Nozzle set 1015474	Nozzle set 1015473
GAS421GSAZ							
GAS641GSAZ							
GAS951GSAZ							
GAS411GSBZ	D	Natural gas AU/NZ (G20), 1.0 kPa	Universal liquid gas (G30/G31), 2.75 kPa	No other nozzle sets are permitted			
GAS421GSBZ							
GAS731GKBZ							
GAS951GSBZ							
GAS311GKBZ	F	Natural gas CN (12T), 20 mbar	Liquid gas CN (20Y), 28 mbar				
GAS321GKBZ							
GAS411GSBZ							
GAS421GSBZ							
GAS731GKBZ							
GAS311GKBZ	C	Hong Kong town gas, 15 mbar	-				
GAS321GKBZ							
GAS411GSBZ							
GAS421GKBZ							
GAS731GKBZ							
GAS311GKBZ	C	Singapore town gas (G110), 10 mbar	Singapore liquid gas (G30/31), 29 mbar				
GAS321GKBZ							
GAS411GSBZ							
GAS421GKBZ							
GAS731GKBZ							
GAS951GSBZ							

* Validity with model no. (see page 6)

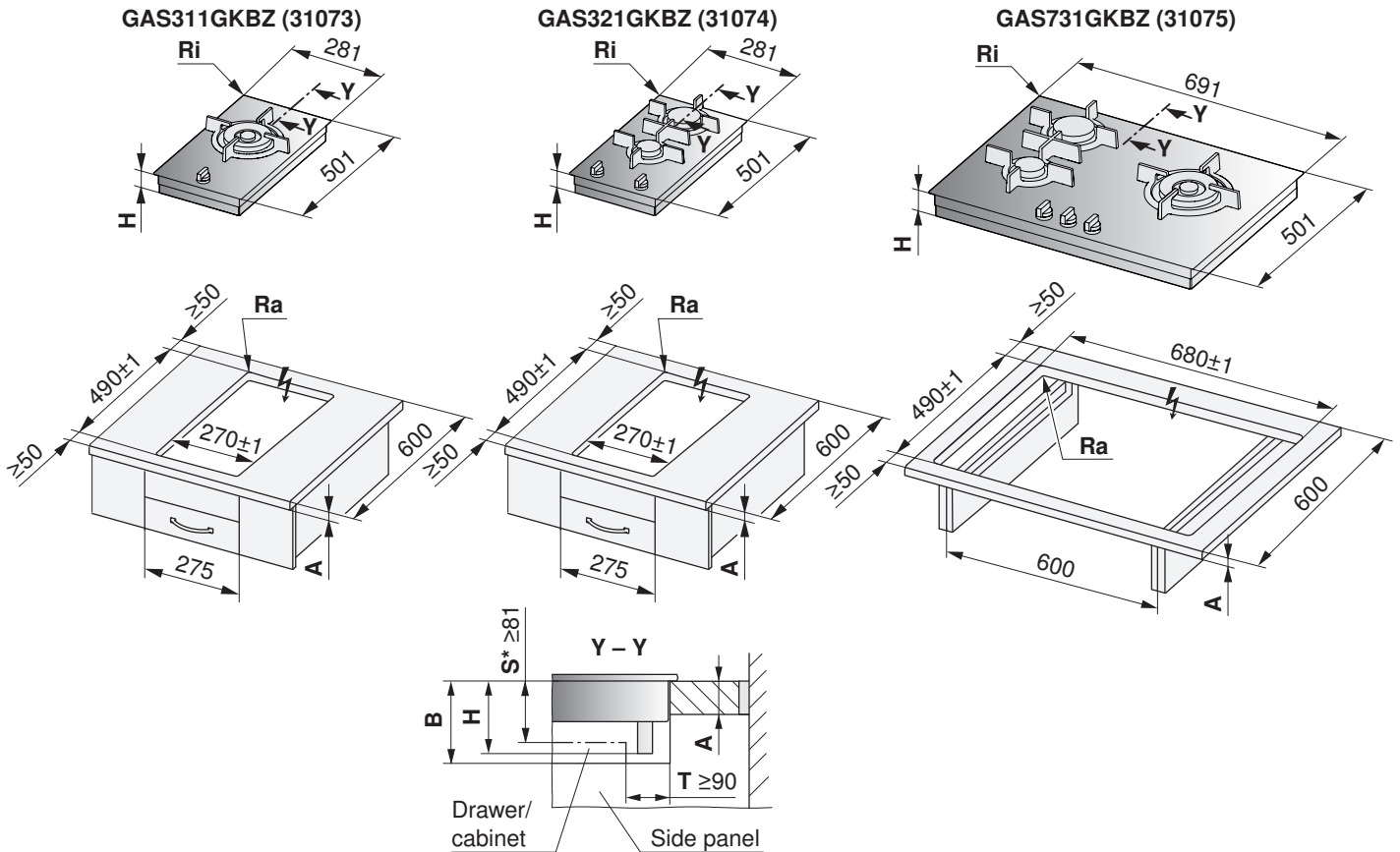
9.5 Surface-mounted installation with «DualDesign»



* The required clearance must be observed!

Type	A Depends on producer	B	H	Corner radius R_a/R_i
GAS641GSAZ	≥ 30 mm	≥ 95 mm	94 mm	0–5/1.5 mm

- A** Worktop depth
- B** Required clearance for service replacement over the entire cut-out area.
- H** Dimension from the top of the work surface to the underside of the gas connection
- Ri** Corner radii of appliance **Ra** Outer corner radii of cut-out
- S** Minimum distance between the top of the work surface and any drawer
- T** Minimum distance between the cut-out in the back and any drawer



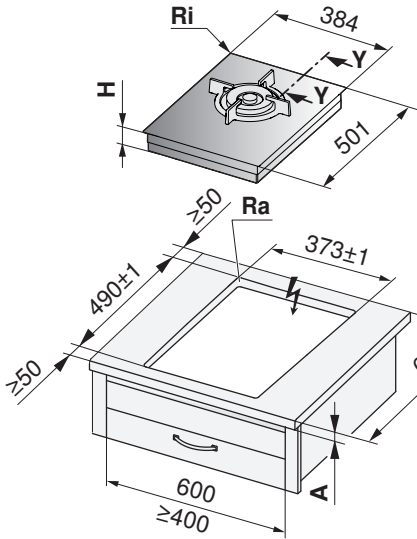
* The required clearance must be observed!

Type	A Depends on producer	B	H	Corner radius Ra/Ri
GAS311GKBZ, GAS321GKBZ	≥30 mm	≥95 mm	84 mm	0-5/1.5 mm
GAS731GKBZ				

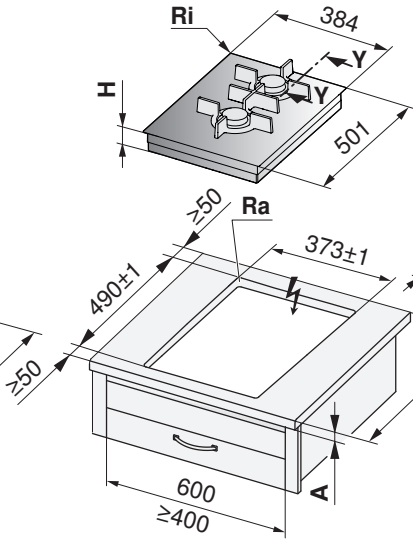
- A** Worktop depth
- B** Required clearance for service replacement over the entire cut-out area.
- H** Dimension from the top of the work surface to the underside of the gas connection
- Ri** Corner radii of appliance **Ra** Outer corner radii of cut-out
- S** Minimum distance between the top of the work surface and any drawer
- T** Minimum distance between the cut-out in the back and any drawer



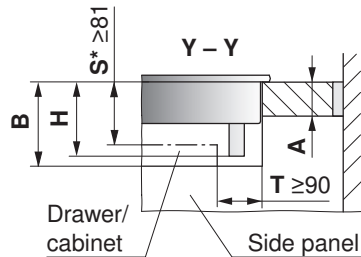
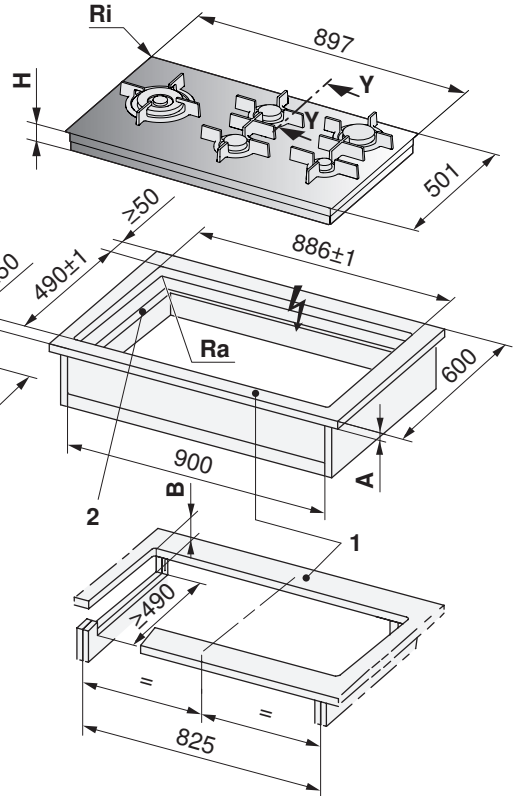
GAS411GSAZ/GSBZ (31063)



GAS421GSAZ/GSBZ (31064)



GAS951GSAZ/GSBZ (31072)



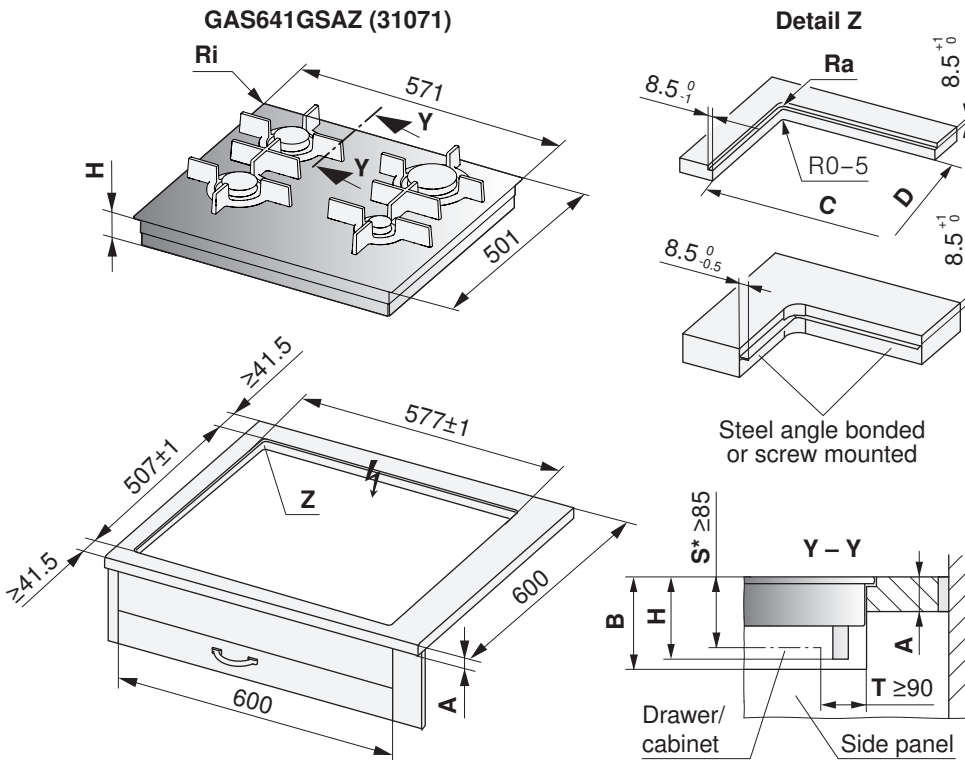
* The required clearance must be observed!

- 1 Front and rear struts may be reinforced on the underside. The strut width is determined by the producer of the stone worktop. The minimum strut width can vary according to the property of the stone.
- 2 For niche width 900 mm, cut-outs in side walls left/right are necessary for servicing work where the appliance base must be removed from below.

Type	A Depends on producer	B	H	Corner radius Ra/Ri
GAS411GSAZ/GSBZ, GAS421GSAZ/GSBZ, GAS951GSAZ/GSBZ	≥30 mm	≥95 mm	94 mm	0–5/1.5 mm

- A** Worktop depth
- B** Required clearance for service replacement over the entire cut-out area.
- H** Dimension from the top of the work surface to the underside of the gas connection
- Ri** Corner radii of appliance **Ra** Outer corner radii of cut-out
- S** Minimum distance between the top of the work surface and any drawer
- T** Minimum distance between the cut-out in the back and any drawer

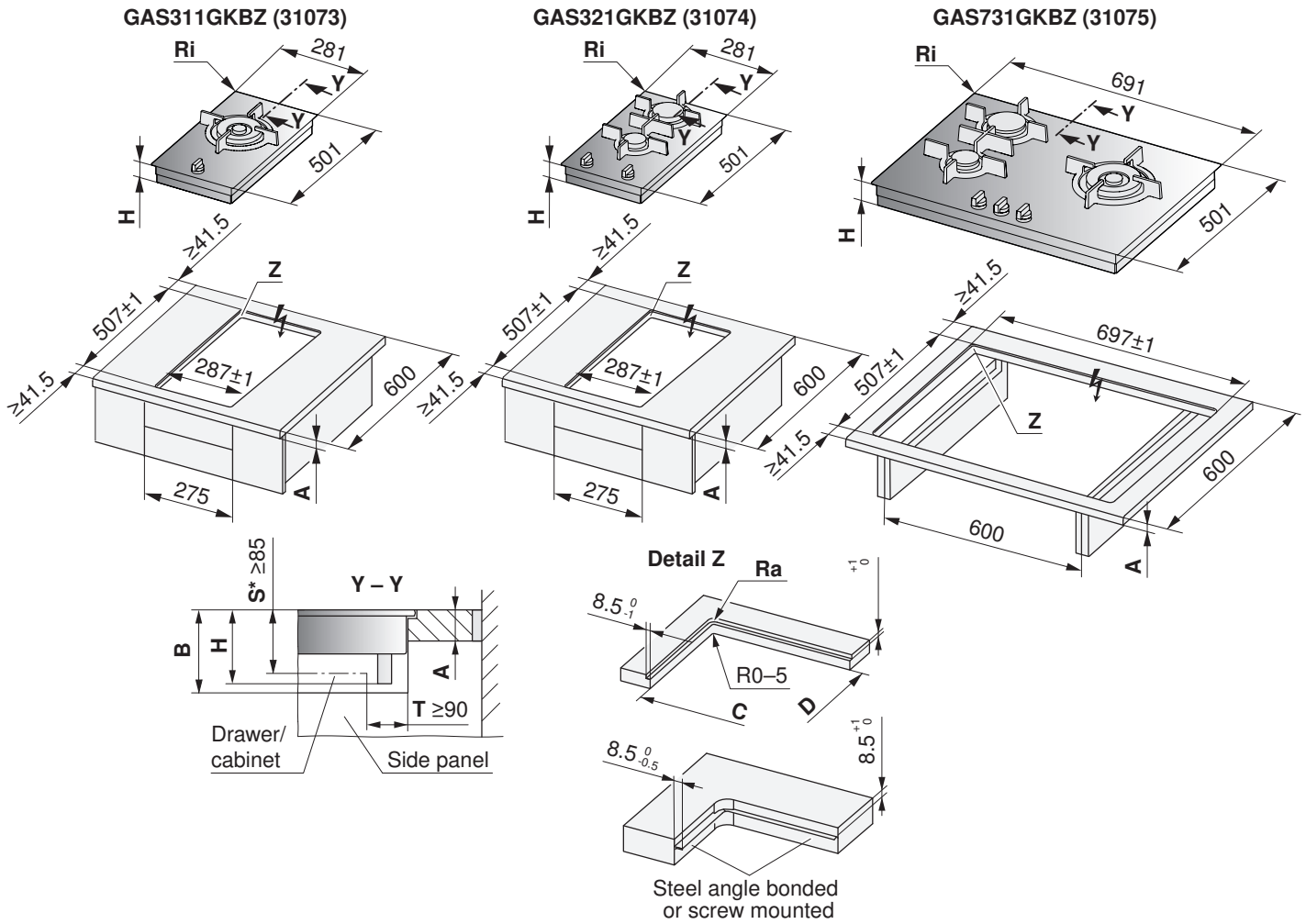
9.6 Flush installation with «DualDesign»



* The required clearance must be observed!

Type	A Depends on producer	B	H	Corner radius Ra/Ri	C/D
GAS641GSAZ	≥30 mm	≥175 mm	98 mm	5/1.5 mm	560/490 mm

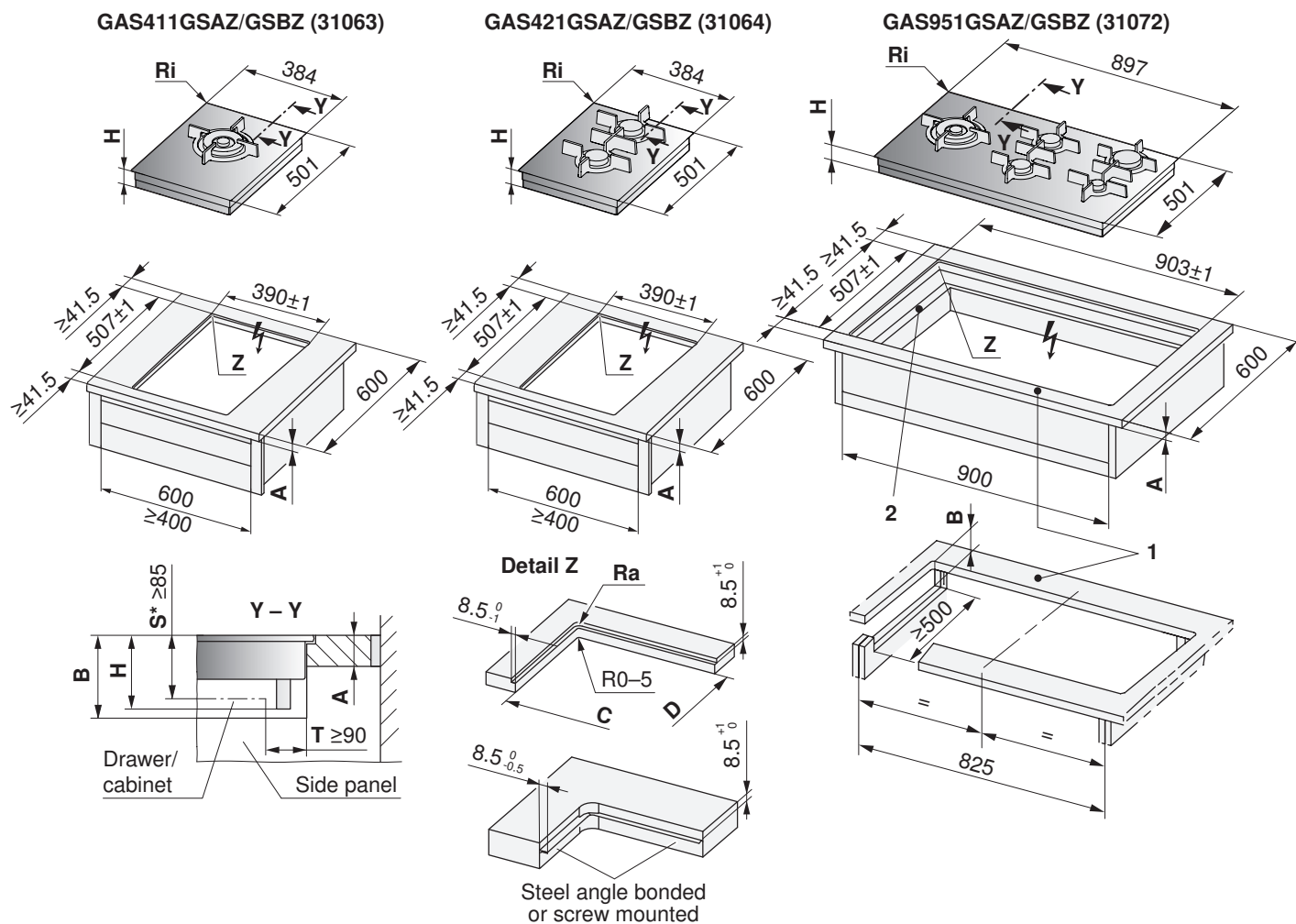
- A** Worktop depth
- B** Required clearance for service replacement over the entire cut-out area.
- H** Dimension from the top of the work surface to the underside of the gas connection
- Ri** Corner radii of appliance **Ra** Outer corner radii of cut-out
- S** Minimum distance between the top of the work surface and any drawer
- T** Minimum distance between the cut-out in the back and any drawer



* The required clearance must be observed!

Type	A Depends on producer	B	H	Corner radius Ra/Ri	C/D
GAS311GKBZ, GAS321GKBZ	≥30 mm	≥175 mm	88 mm	5/1.5 mm	270/490 mm
GAS731GKBZ					680/490 mm

- A** Worktop depth
- B** Required clearance for service replacement over the entire cut-out area.
- H** Dimension from the top of the work surface to the underside of the gas connection
- Ri** Corner radii of appliance **Ra** Outer corner radii of cut-out
- S** Minimum distance between the top of the work surface and any drawer
- T** Minimum distance between the cut-out in the back and any drawer



* The required clearance must be observed!

- 1 Front and rear struts may be reinforced on the underside. The strut width is determined by the producer of the stone worktop. The minimum strut width can vary according to the property of the stone.
- 2 For niche width 900 mm, cut-outs in side walls left/right are necessary for servicing work where the appliance base must be removed from below.

Type	A Depends on producer	B	H	Corner radius Ra/Ri	C/D
GAS411GSAZ/GSBZ, GAS421GSAZ/GSBZ	≥30 mm	≥175 mm	98 mm	5/1.5 mm	373/490 mm
GAS951GSAZ/GSBZ					886/490 mm

- A** Worktop depth
- B** Required clearance for service replacement over the entire cut-out area.
- H** Dimension from the top of the work surface to the underside of the gas connection
- Ri** Corner radii of appliance **Ra** Outer corner radii of cut-out
- S** Minimum distance between the top of the work surface and any drawer
- T** Minimum distance between the cut-out in the back and any drawer

10 Combined hob installation

10.1 Surface-mounted combination

The surface-mounted hob combination is currently only possible for electric hobs (up to max. hob size 70), gas hobs and hob hoods. The intermediate support 1014361 (stainless steel) or 1019199 (black) is required for this.



Intermediate supports 1014361 and 1019199 are not available in Germany.

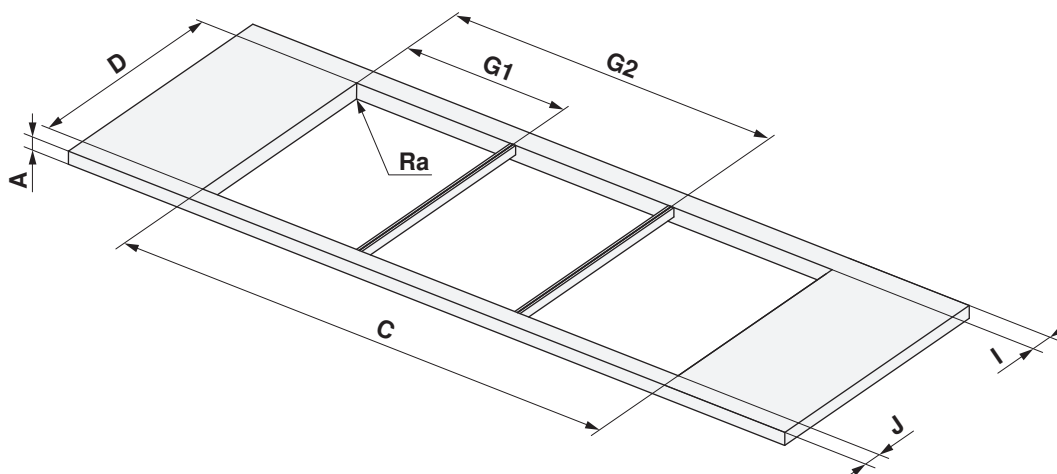


The wok hob GK16TIWSZ cannot be built into a surface-mounted combination with intermediate support.




Dimensions table for hobs

Combinations	Cut-out width C	Intermediate support position G1	Intermediate support position G2
30+30 cm	554 mm	277 mm	-
30+40 cm	657 mm	277 mm	-
40+40 cm	760 mm	380 mm	-
30+30+30 cm	838 mm	277 mm	561 mm
30+60 cm	844 mm	277 mm	-
40+60 cm	947 mm	380 mm	-
30+70 cm	964 mm	277 mm	-
30+40+40 cm	1044 mm	277 mm	664 mm
40+70 cm	1067 mm	380 mm	-
40+40+40 cm	1147 mm	380 mm	767 mm
30+40+60 cm	1231 mm	277 mm	664 mm
40+40+60 cm	1334 mm	380 mm	767 mm

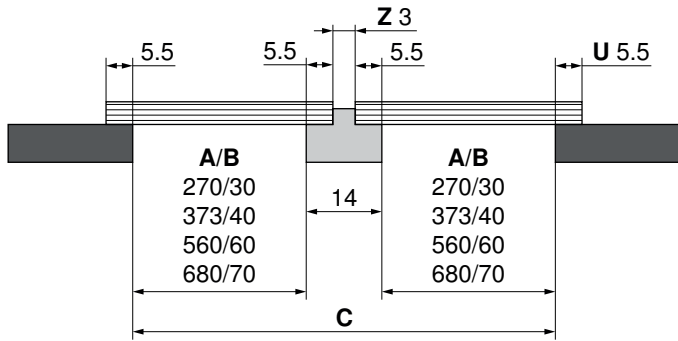
- A** ≥30 mm
- D** 490 mm
- I** ≥50 mm
- J** ≥50 mm
- Ra** 0–5 mm



10.2 Examples of surface-mounted combinations

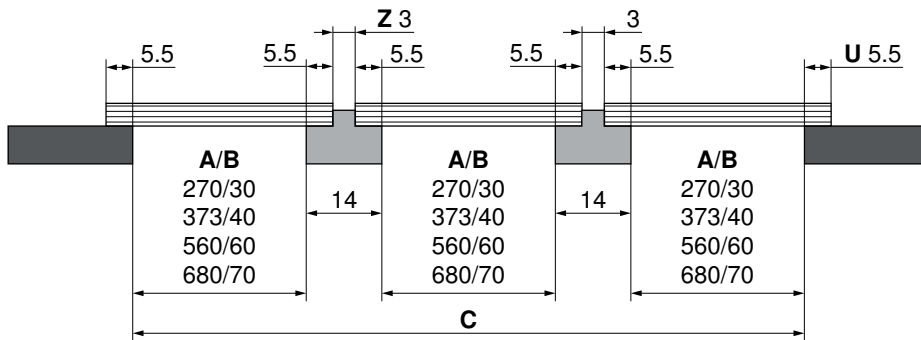
		
Worktop	Hobs	Intermediate support

Double surface-mounted combination



Example for cut-out width **C** with 30+30 cm: $270+14+270 = 554$ mm

Triple surface-mounted combination



Example for cut-out width **C** with 30+30+30 cm: $270+14+270+14+270 = 838$ mm

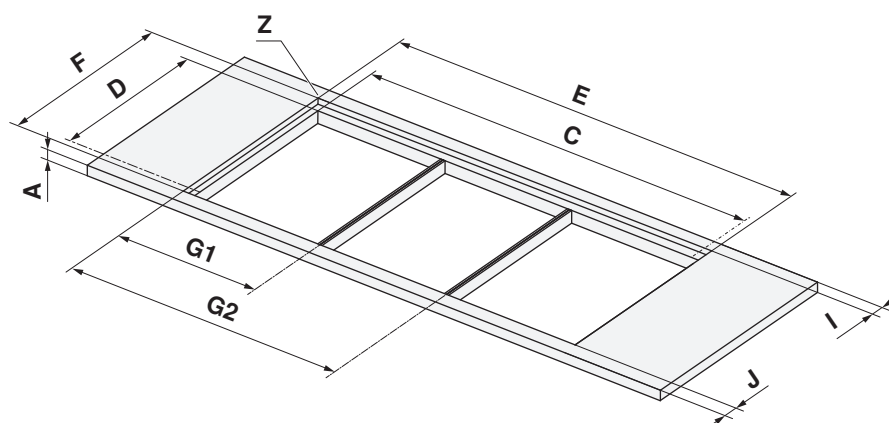
A	B	C	U	Z
Cut-out in mm	Hob size in cm	Cut-out width	Hob/worktop overlap	Intermediate support

10.3 Flush combination

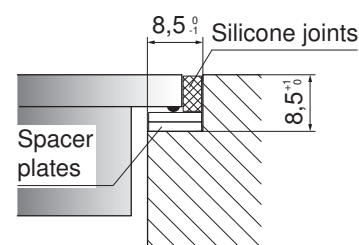
The flush-mounted hob combination is currently possible for all gas hobs, hob hoods and flush-mounted electric hobs with a base plate depth of 501 mm. The intermediate support kit H63789 (contains two intermediate supports) is required.

Dimensions table for hobs

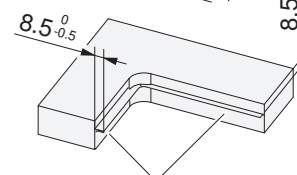
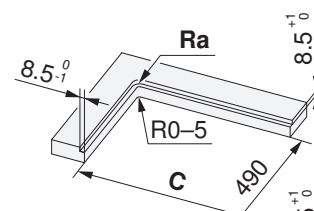
Combinations	Cut-out width E	Cut-out width C	Intermediate support position G1	Intermediate support position G2
30+30 cm	571 mm	554 mm	285.5 mm	-
30+40 cm	674 mm	657 mm	285.5 mm	-
40+40 cm	777 mm	760 mm	388.5 mm	-
30+30+30 cm	855 mm	838 mm	285.5 mm	569.5 mm
30+60 cm	861 mm	844 mm	285.5 mm	-
40+60 cm	964 mm	947 mm	388.5 mm	-
30+70 cm	981 mm	964 mm	285.5 mm	-
30+40+40 cm	1061 mm	1044 mm	285.5 mm	672.5 mm
40+70 cm	1084 mm	1067 mm	388.5 mm	-
40+40+40 cm	1164 mm	1147 mm	388.5 mm	775.5 mm
30+90 cm	1187 mm	1170 mm	285.5 mm	-
30+40+60 cm	1248 mm	1231 mm	285.5 mm	672.5 mm
40+90 cm	1290 mm	1273 mm	388.5 mm	-
40+40+60 cm	1351 mm	1334 mm	385.5 mm	775.5 mm



- A ≥30 mm
- I ≥41.5 mm
- J ≥41.5 mm
- D 490±1 mm
- F 507±1 mm
- Ra 5 mm



Detail Z

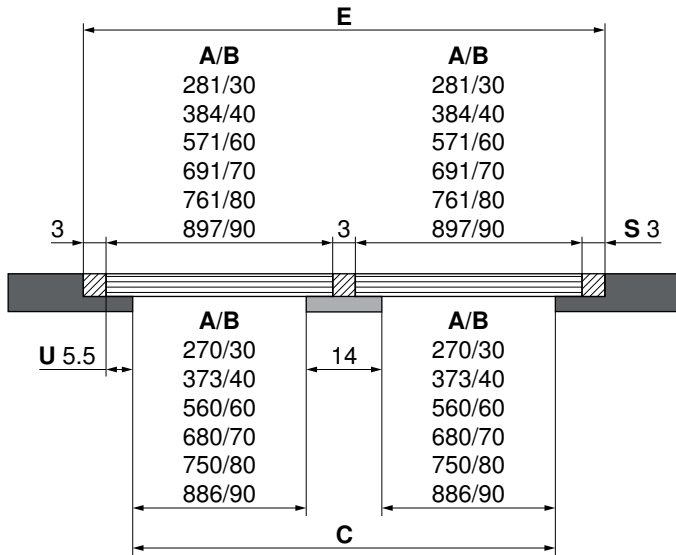


Steel angle mounted with adhesive or screws

10.4 Examples of flush combinations

Worktop	Hobs	Intermediate support	Silicone joint

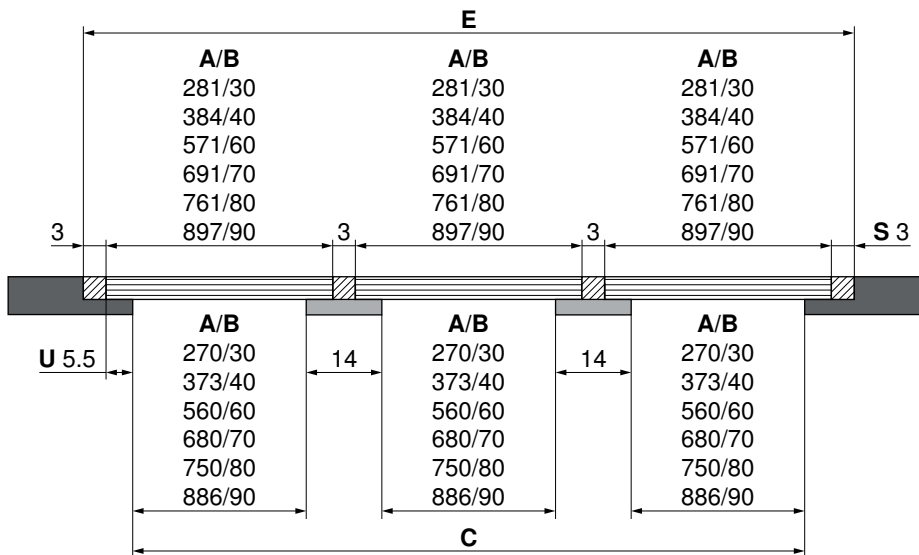
Double flush combination



Example for cut-out width **E** with 30+30 cm: $3+281+3+281+3 = 571$ mm

Example for cut-out width **C** with 30+30 cm: $270+14+270 = 554$ mm

Triple flush combination



Example for cut-out width **E** with 30+30+30 cm: $3+281+3+281+3+281+3 = 855$ mm

Example for cut-out width **C** with 30+30+30 cm: $270+14+270+14+270 = 838$ mm

A	B	C/E	S	U
Cut-out in mm	Hob size in cm	Cut-out width	Silicone joint	Hob/worktop overlap

11 Range hoods



Technical information on the range hoods can be found in the document J32836 «TechInfo for range hoods».

11.1 General notes



If other firing systems are being used at the same time (e.g. wood, gas, oil or coal fired heating appliances), safe operation is only possible providing a room negative pressure of 4 Pa (0.04 mbar) is not exceeded at the location of the appliance.
Risk of toxic fumes! An adequate flow of fresh air must be guaranteed e.g. via non-closable openings in doors or windows and in combination with an air-intake/exhaust-air wall box or by other technical means.



Efficient repairs can only be guaranteed if it is possible to uninstall the whole appliance at any time without causing any damage.

Minimum distance to the hob



If a V-ZUG appliance is being combined with a third-party brand (hob or range hood) and the stipulated minimum distance between the combined appliances is different, then the greater of the two must be observed. The minimum distance is measured between the bottom edge of the range hood and the bottom of the pot or pan.
If the appliance is installed over gas hobs, each cooking zone must be fitted with an ignition fuse.

Extraction mode



The extracted air must not be fed into a chimney which is used for exhausting fumes from appliances burning gas or other fuels.
Observe the local fire regulations.

Installation notes

- In addition to the correct dimensioning of the exhaust duct, it is also necessary to ensure a sufficient inflow of fresh air. **to replace the air that is being extracted.**
- Avoid routing the exhaust duct to the side through the chimney casing.
- Planning features for non-destructive de-installation and maintenance of the appliance:
 - Do not route telescopic casing in suspended ceilings.
 - Avoid silicone joints between the telescopic casing and the appliance.
 - All plastering, plasterboarding, wall papering or painting work is to be carried out prior to installing the appliance.

11.2 Special hoods

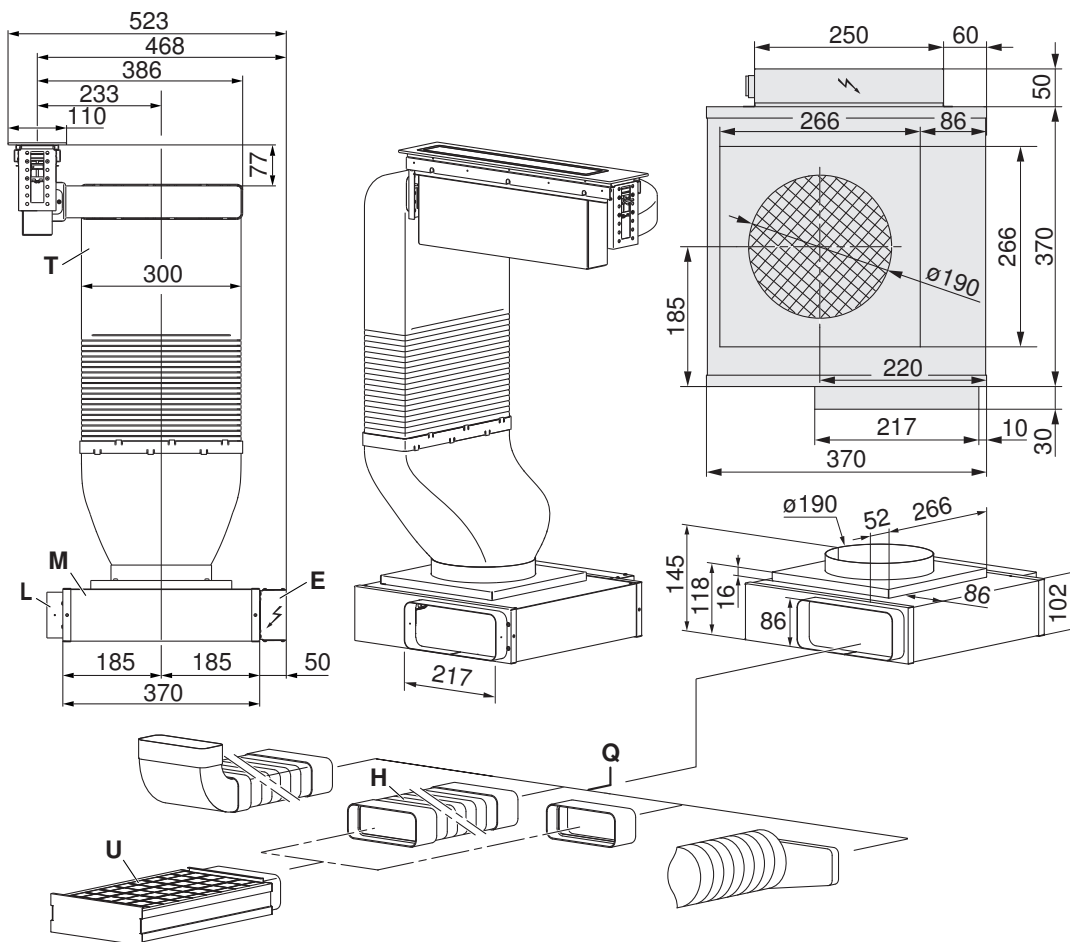


Special hood type **DSTS9 (64004)** may not be used in combination with gas hobs.

Special hood type **DSMS (64005)** may only be operated in combination with a gas hob of V-ZUG gas hob type: GAS321x, GAS421x, GAS641x, observing the permitted combination installation variants. The content of the operating and installation instructions for the listed gas hobs must be observed! If operating a permitted gas appliance, the hob hood must be fitted with the dedicated gas deflector 1031218 (accessory)! Operating a gas appliance without the gas deflector is not permitted!

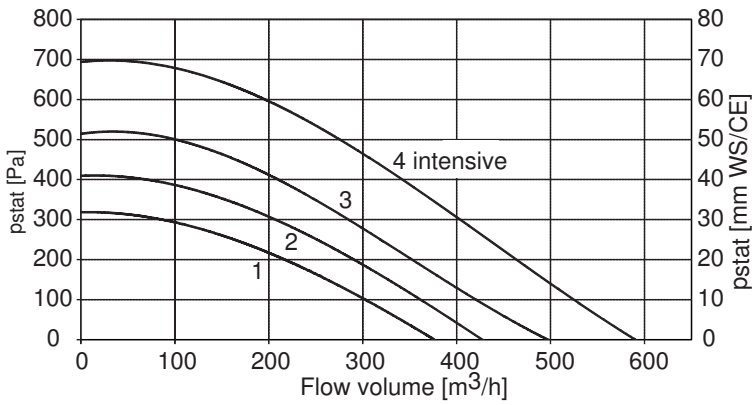
DSMS (64005)

Operating mode	Extraction/recirculation	Mains connection	220–240 V~ 50/60 Hz
Noise level	62–70 dB (A)	Fuse	10 A
Illumination	-	Fan speeds	4
Motor	1 x 145 W	Weight	~21.5 kg

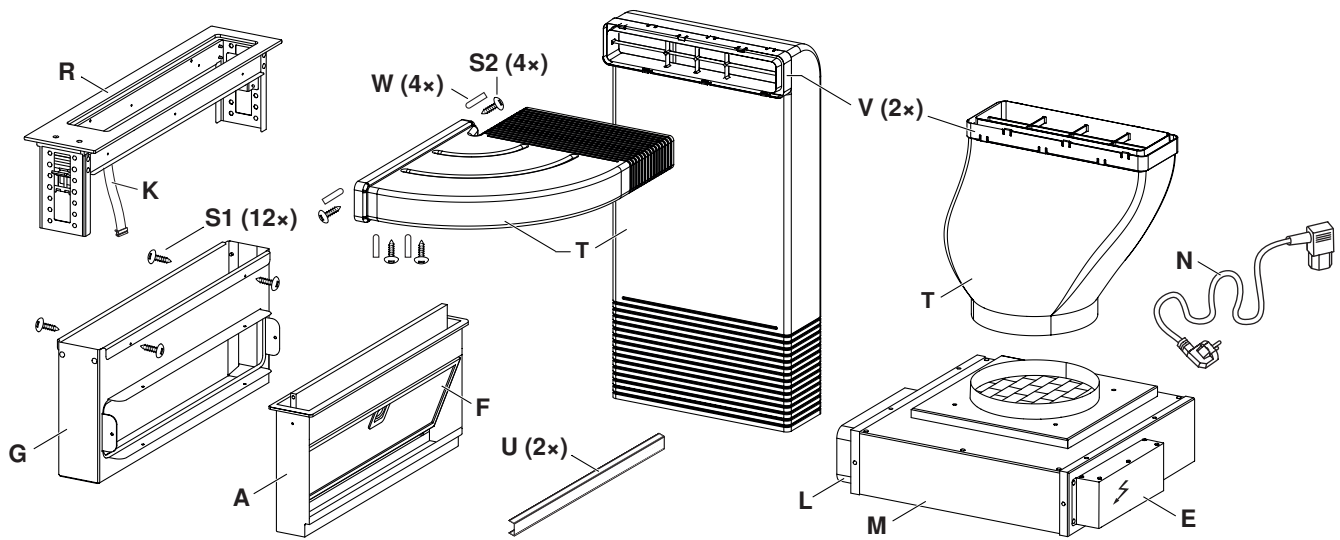


Suitable flat channel systems **Q** are available for order as accessories.

- The connection between the hob hood and the exhaust air duct **T** can be to the left or right.
- The ventilation outlet **L** can be fed through one of the four sides, however this can change the installation type.
- Depending on space requirements, the exhaust ducting **T** can be adjusted through shortening.
- The control unit **E** can be repositioned (≤ 250 mm) if required.
- Plan a removable **base plate** or **service flap** for fan motor **M** and recirculation box **U** (for recirculation mode).
- Access to the fan motor **M** and the recirculation box **U** is facilitated through extendible flat channel systems **Q**. Recommendation: Flat flexible elbow **H**, article no. **1012786** with flexible length (240–600 mm).
- For the recirculation mode, ensure sufficient ventilation so that moisture can escape. Plan in suitable material/wood.



Scope of delivery



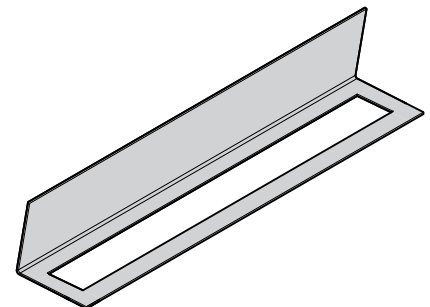
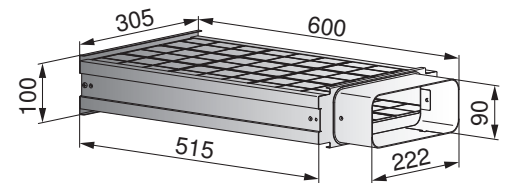
- | | |
|------------------------------|-----------------------------------|
| A Drip tray frame | N Mains cable length 1.8 m |
| E Control unit | Q Flat channel system |
| F Metal grease filter | R Frame |
| G Appliance housing | T Exhaust air duct |
| K Control cable | U Spacer profile |
| L Ventilation outlet | V Connecting elements |
| M Fan motor | W Plastic covers |

Accessories:

Recirculation box 1012161

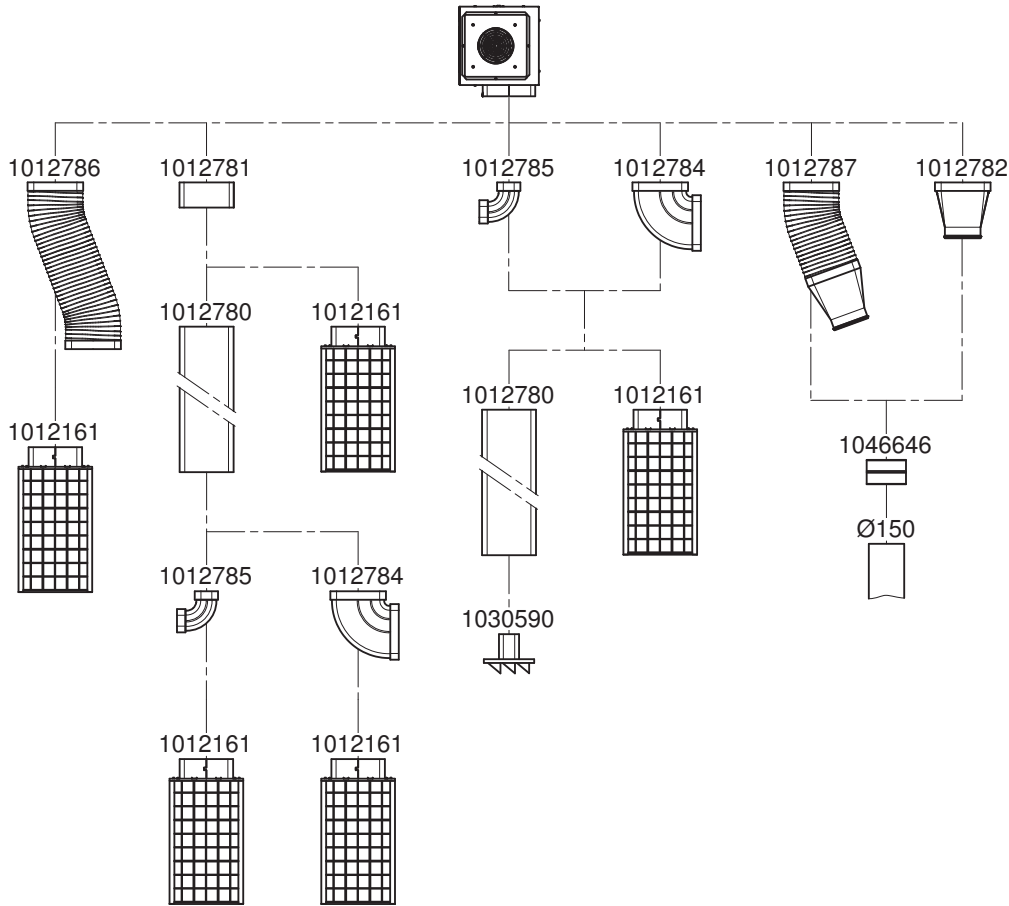
The flat channel system **Q** (accessories) can be used for the installation. Flat channel systems made of plastic (see page 133)

Gas deflector 1031218, required accessory when using a permitted V-ZUG gas hob. Operating a gas appliance without the gas deflector is not permitted!



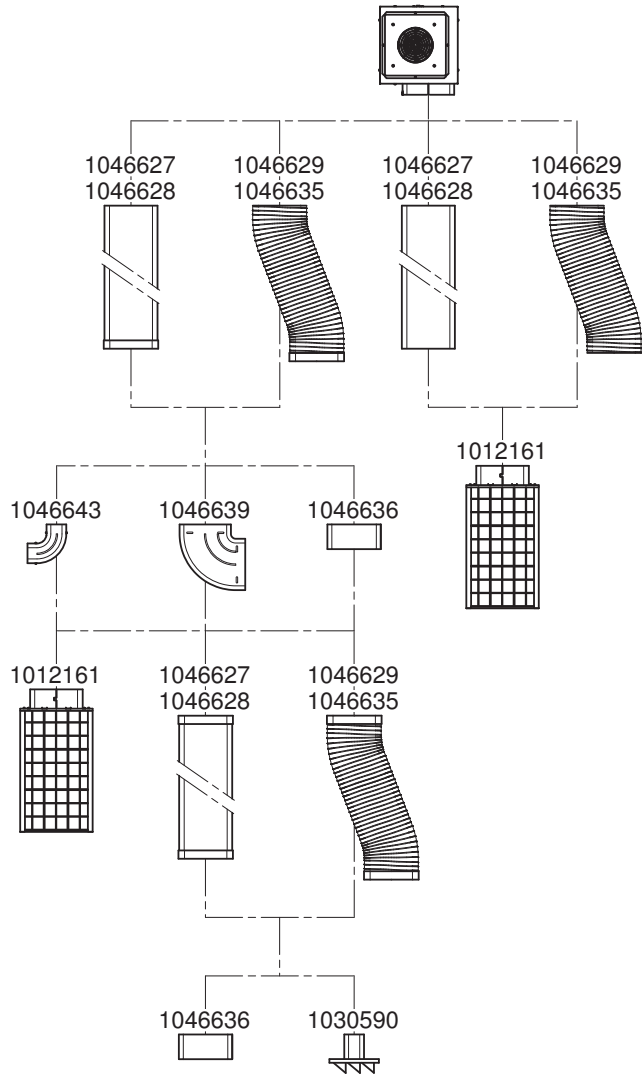


Plastic accessories





Metal accessories

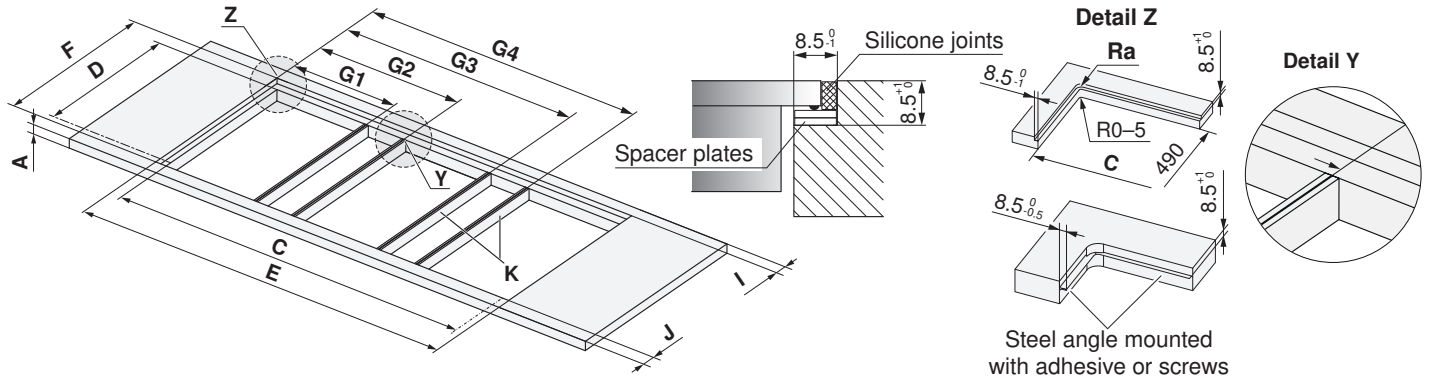


Combination installation

Flush installation

Flush-mounted installation with additional intermediate supports **K** requires the accessory **intermediate support set H63789** (contains two intermediate supports). Flush-mounted combination installation is described in document 1014381.

A WOK glass ceramic hob cannot be surface mounted!
 Reason: Glass thickness is 6 mm.

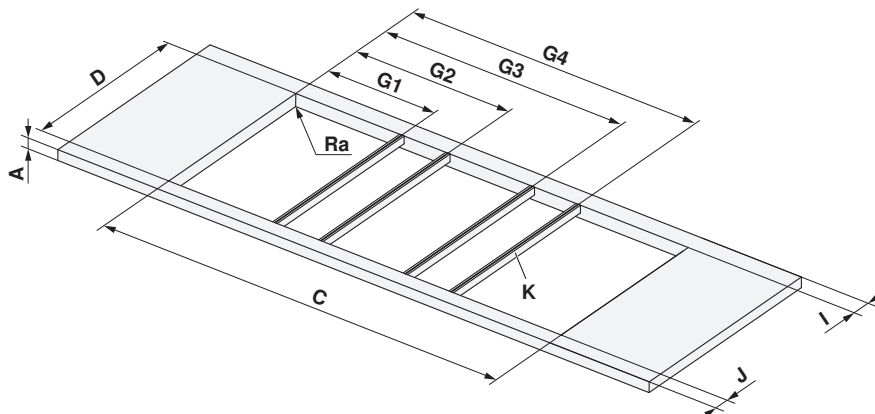


A	F	D	I	J	Ra	K
≥30 mm	507±1 mm	490±1 mm	≥41.5 mm	≥41.5 mm	5 mm	Intermediate support

Combinations	Cut-out width E	Cut-out width C	Intermediate support position G1	Intermediate support position G2	Intermediate support position G3	Intermediate support position G4
30+11+30 cm	684 mm	667 mm	285.5 mm	398.5 mm	-	-
30+11+40 cm	787 mm	770 mm	285.5 mm	398.5 mm	-	-
40+11+40 cm	890 mm	873 mm	388.5 mm	501.5 mm	-	-
11+80+11 cm	993 mm	976 mm	114.5 mm	878.5 mm	-	-
40+11+40+11+40 cm	1390 mm	1373 mm	388.5 mm	501.5 mm	888.5 mm	1001.5 mm
40+11+60+11+40 cm	1577 mm	1560 mm	388.5 mm	501.5 mm	1075.5 mm	1188.5 mm
40+11+70+11+40 cm	1697 mm	1680 mm	388.5 mm	501.5 mm	1195.5 mm	1308.5 mm
40+11+80+11+40 cm	1767 mm	1750 mm	388.5 mm	501.5 mm	1265.5 mm	1378.5 mm

Surface-mounted installation

Surface-mounted installation requires the accessory **side strip set 1028587** and either the intermediate support **K 1019199** (black) or **1014361** (stainless steel). Articles are available for order as accessories. Surface-mounted combination installation is described in document 1013773.

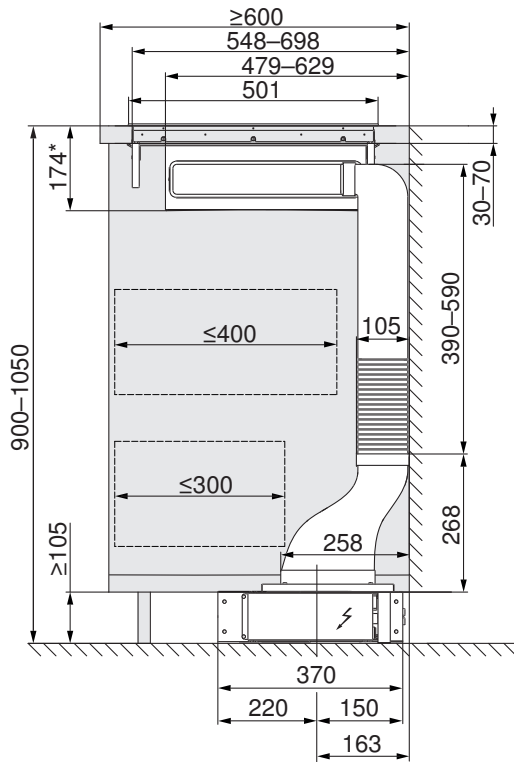


A	D	I	J	Ra
≥30 mm	490±1 mm	≥50 mm	≥50 mm	0–5 mm

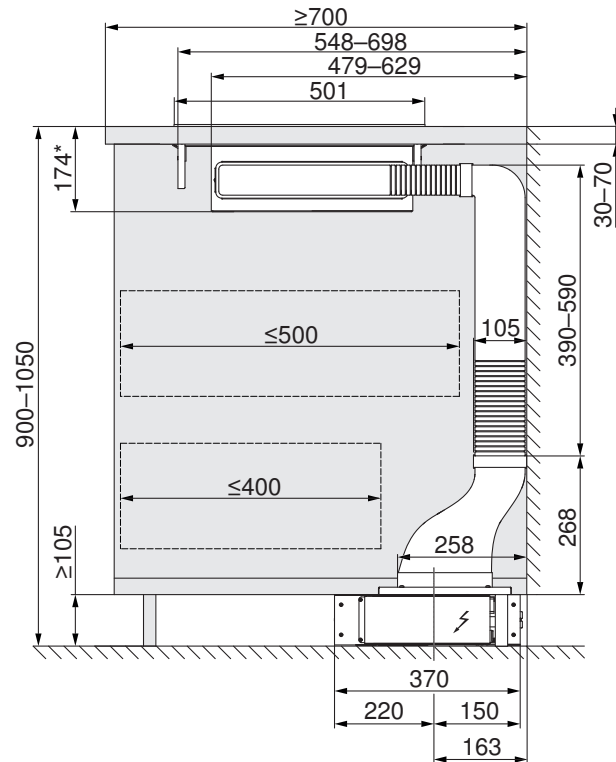
Combinations	Cut-out width C	Intermediate support position G1	Intermediate support position G2	Intermediate support position G3	Intermediate support position G4
30+11+30 cm	667 mm	277 mm	390 mm	-	-
30+11+40 cm	770 mm	277 mm	390 mm	-	-
40+11+40 cm	873 mm	380 mm	493 mm	-	-
40+11+40+11+40 cm	1373 mm	380 mm	493 mm	880 mm	993 mm
40+11+60+11+40 cm	1560 mm	380 mm	493 mm	1067 mm	1180 mm
40+11+70+11+40 cm	1680 mm	380 mm	493 mm	1187 mm	1300 mm

Installation overview for base

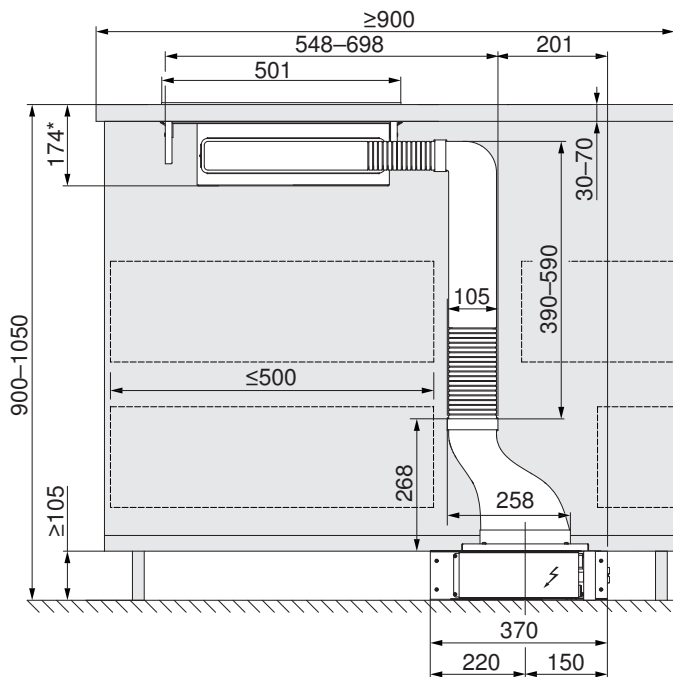
Wall installation, depth ≥ 600 mm



Wall/island installation, depth ≥ 700 mm



Island installation, depth ≥ 900 mm



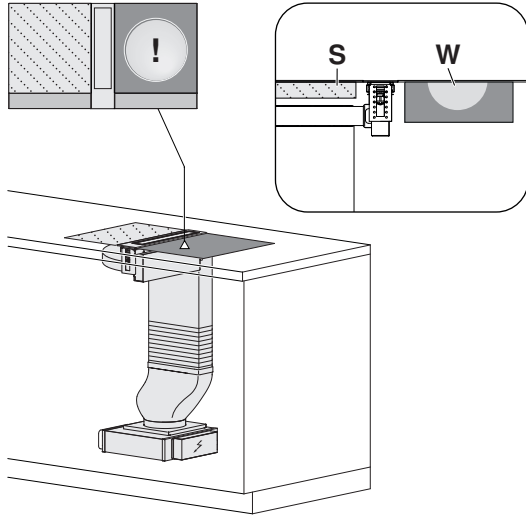
* Flush installation. Surface-mounted installation: 170 mm.

Appliance selection and combination possibilities

1. Planning example: Two hobs

Air duct in base to left/right.

The WOK glass ceramic hob / gas hob **W** is **always** positioned on the opposite side of the exhaust air duct. Standard hob **S**.

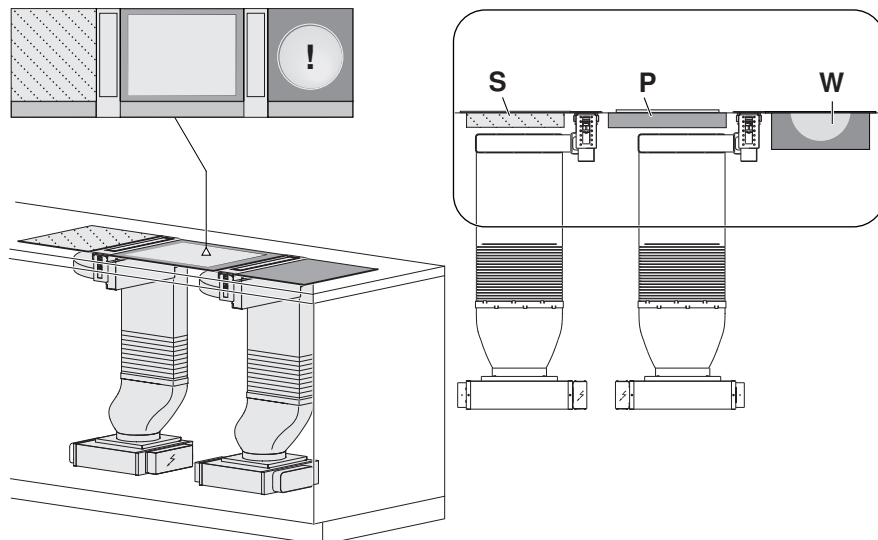


A WOK glass ceramic hob and gas hob may not be combined! In general, the use of a gas wok, in any combination, is not permitted.

2. Example: Three hobs

Air duct in base on both sides to left/right.

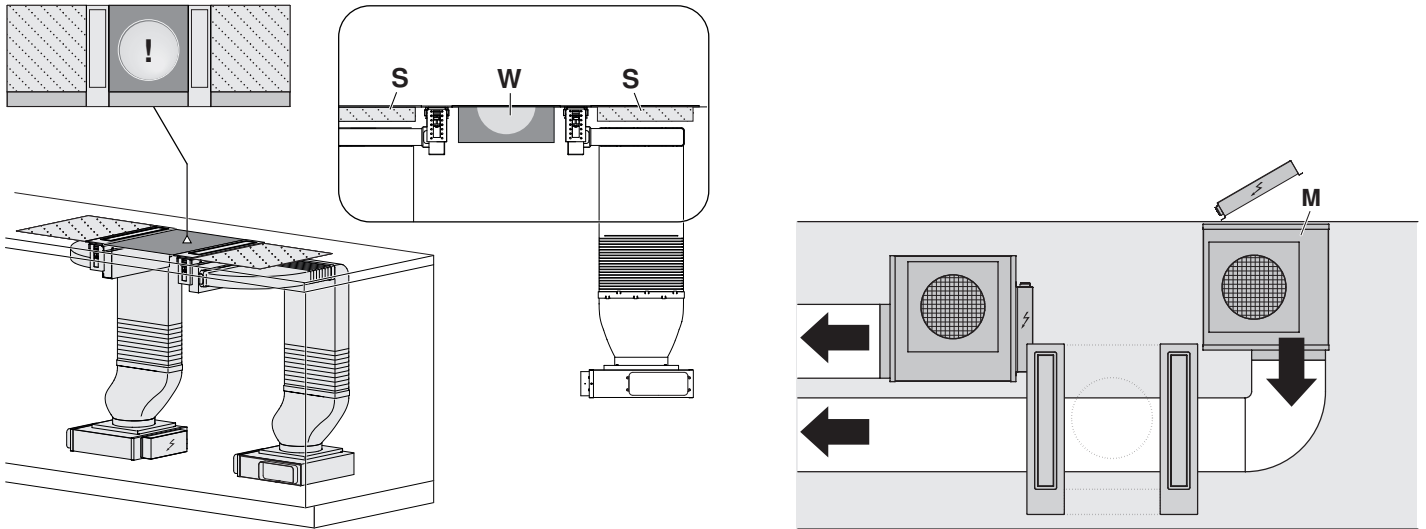
The Teppan Yaki hob **P** (600 mm) is positioned in the middle. The WOK glass ceramic hob / gas hob **W** is **always** positioned on the opposite side of the exhaust air duct. Standard hob **S**.



3. Example: Three hobs

Air duct in base on both sides to outside.

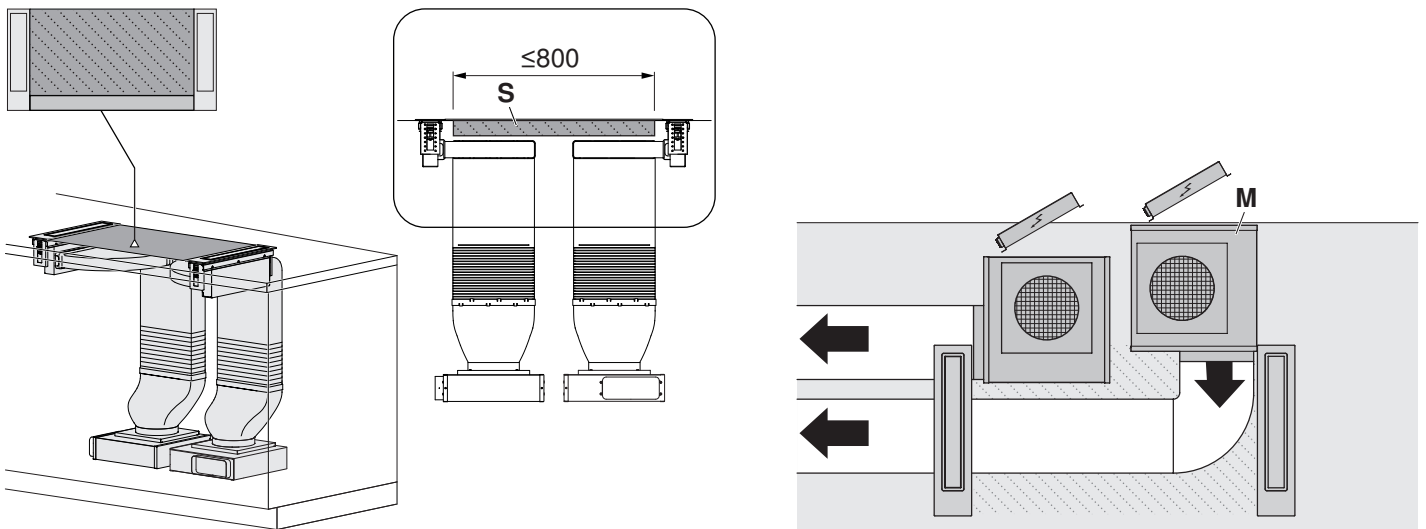
The WOK glass ceramic hob / gas hob **W** (400 mm) is positioned in the middle. Standard hob **S**. Possible position of 2 fan motors **M**.



4. Example: Large hob positioned in the middle

Air duct in base on both sides to inside for space economy.

Allows standard hob **S** with ≤ 800 mm installation width to be positioned in the middle. The WOK glass ceramic hob / gas hob **W** can **not** be positioned in the middle. Possible position of 2 fan motors **M**.





For use with a gas appliance

The hob hood may only be used with the dedicated gas deflector 1031218 (accessory) with one of the gas appliances listed below. Operating the hob hood without the gas deflector is not permitted!

Permitted gas appliances for use with the hob hood:
V-ZUG gas hob type: **GAS321x, GAS421x, GAS641x**, observing the permitted combination installation variants.

Combining the hob hood with two gas hobs is not permitted!

Using another gas appliance type/model or manufacturer is not permitted and can cause lasting damage to the hob hood. Failure to observe the above instruction can cause lasting bodily harm and lasting damage to property and the appliance. In such a case, any and all liability, guarantee and goodwill claims will be rejected, now and in the future!

Burns hazard!
The appliance and surrounding components get hot during operation! Allow the fan flap, gas deflector and other components to cool down before touching them.

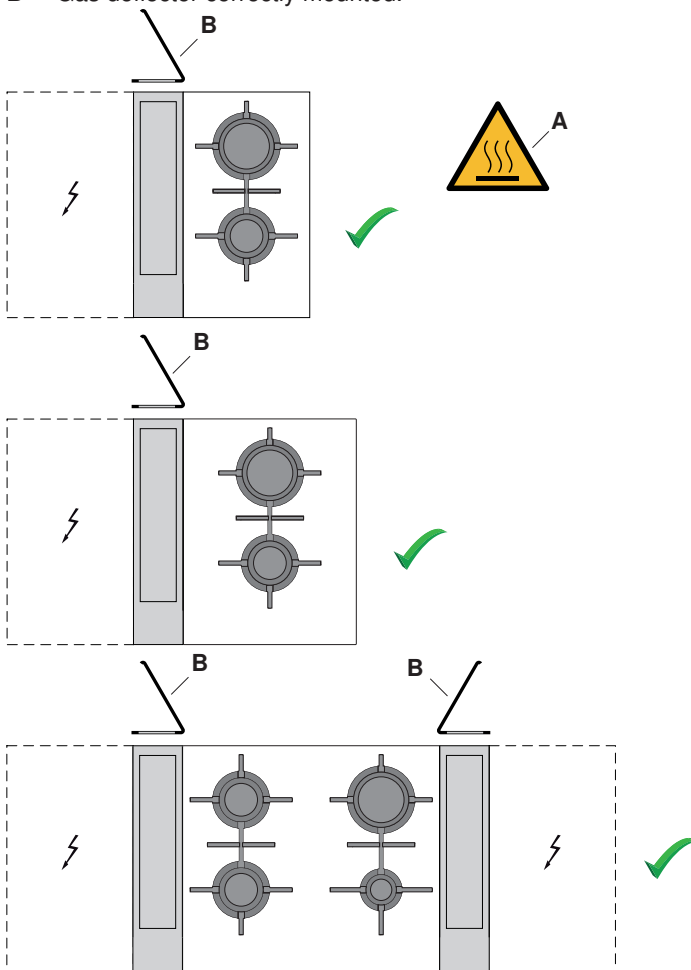
Fire hazard!
Grease deposits can build up in the grease filter and catch fire. Clean the grease filter regularly. Only operate the appliance with the gas deflector.

Permitted installation variants (V-ZUG gas hob only)

As a variant may also be installed on either side of the appliance.

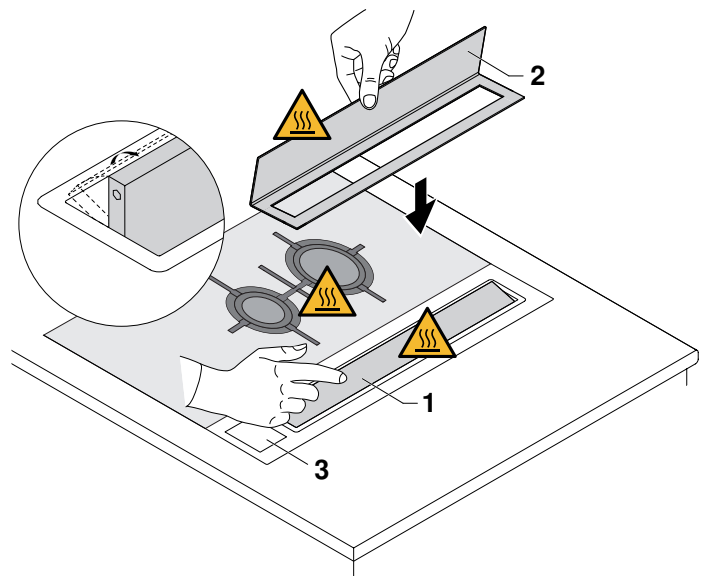
A Caution: Hot surface!

B Gas deflector correctly mounted.



The gas deflector 1031218 (required accessory) reduces the deflection/disturbance of the gas flame at the burner and prevents it being extinguished by a draft.

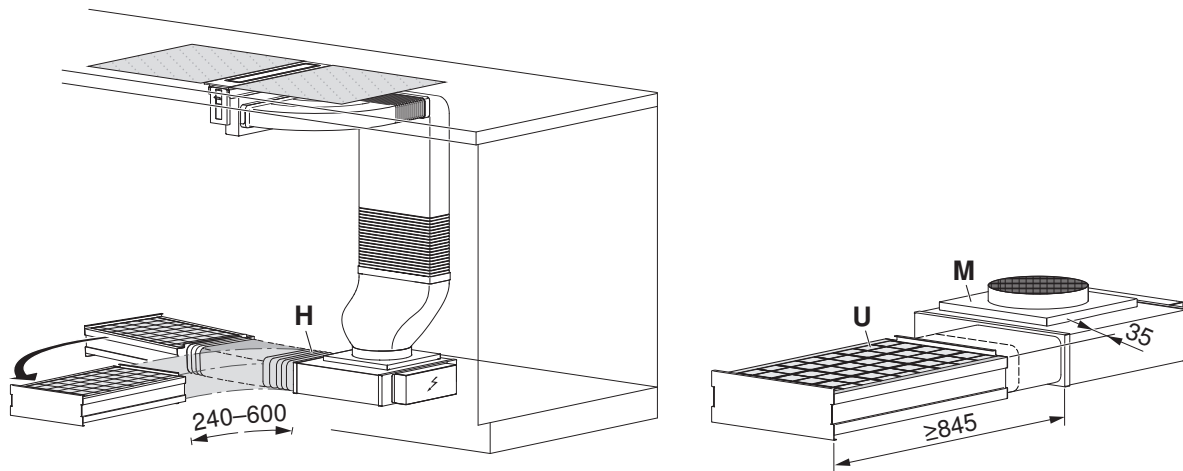
- ▶ Open fan flap 1.
- ▶ Set the gas deflector 2 in the correct position relative to the gas appliance.
- ▶ Switch on hob hood 3.



Installation variant for recirculation hob hood with recirculation box

Example: Recirculation mode with recirculation box

Flat flexible elbow, **H**, article no. **1012786** with flexible length (240–600 mm) easy installation/access to fan motor **M** and recirculation box **U**.



Plan in enough space for maintenance work and ensure access to the fan motor and the recirculation box (for replacing the activated charcoal filters)! Exhaust air outlet cross section: Plan min. 500 cm² for exhaust air in base area.

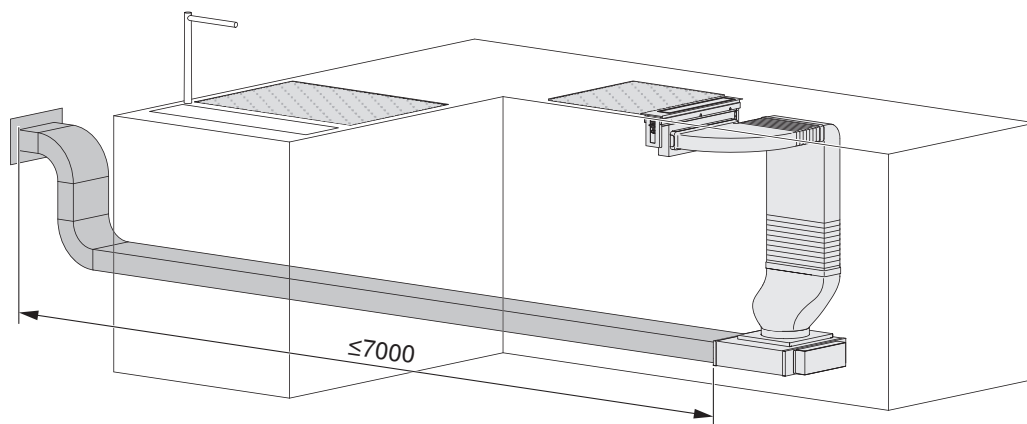


Dedicated accessories that need to be fitted to operate the appliance in the recirculation mode: Article no. 1012161 recirculation box with activated charcoal filters!

Installation variant for extraction hob hood

Example: Extraction mode with flat channel (round channel also possible).

Plan in length of flat channel system to air outlet of **max. 7000 mm**. If the exhaust duct is to be routed outdoors, we recommend installing a telescopic wall box (accessory available for order).



Ensure enough space for maintenance work and access to the fan motor and flat channel system!

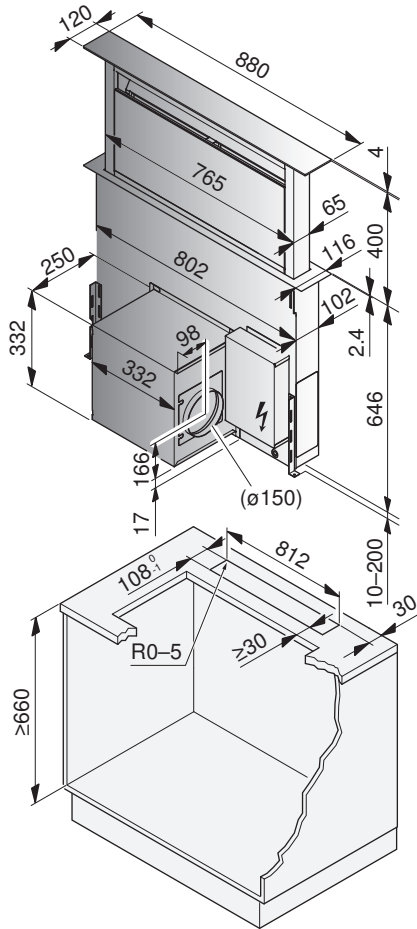


DSTS9 (64004)

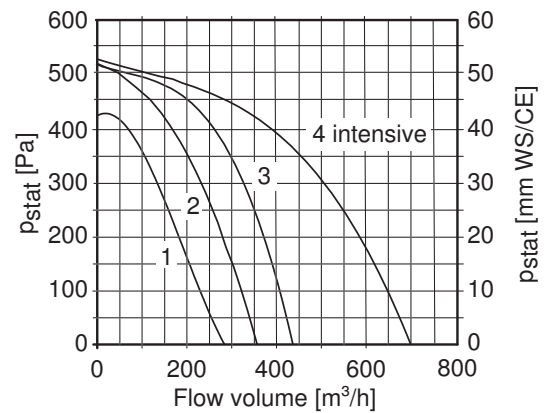
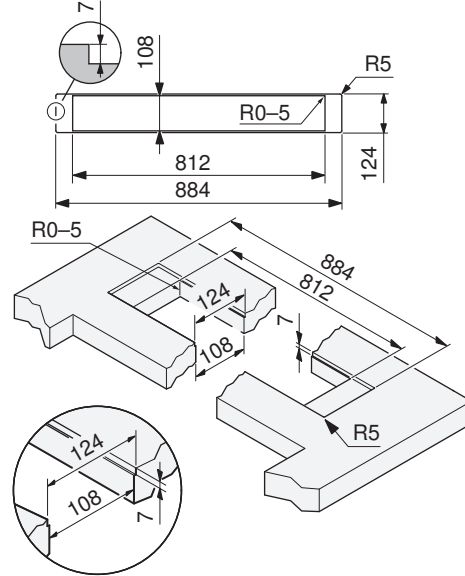
Operating mode	Extraction/recirculation
Noise level	49–69 dB (A)
Illumination	1 × 6 W
Motor	1 × 270 W

Mains connection	220–240 V~ 50/60 Hz, 276 W
Fuse	10 A
Fan speeds	4
Weight	~35 kg

Surface-mounted installation variant



Flush installation variant



- As an alternative, the motor housing may be planned and mounted to the range hood from the back, though access must be guaranteed from the front for service and installation.
- The exhaust connection can be positioned to point in one of four directions.

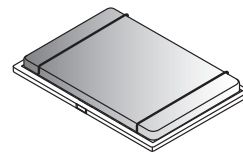
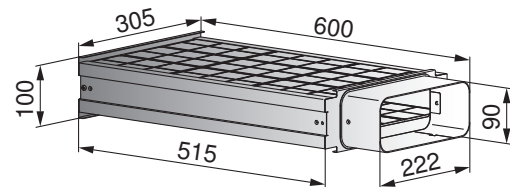
Accessories:

Recirculation box 1012161
 For the installation, a transition piece 1012782 or H42078 is needed.
 See Flat channel systems made of plastic (see page 133).

Long-life activated charcoal filter 1012163

Recommendation for hob type:

GK46TIMPS..., GK47TIMPS...



Exhaust air outlet cross section: Plan min. 500 cm² for exhaust air in base area.

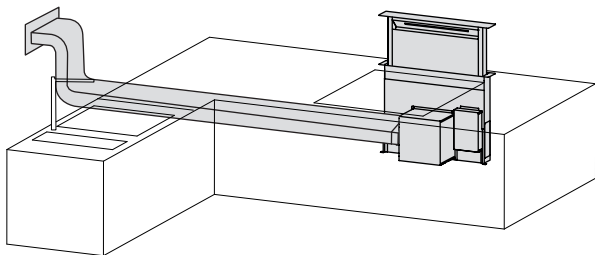
Downdraft hoods

The fan can be rotated for mounting. The exhaust air can thus be extracted upwards, left, right or downwards. The fan can also be mounted in the same position at the back of the appliance. If the fan is to be mounted at the back of the appliance, then the rear panel of the cabinet has to be cut out where the fan is to be mounted and ensure sufficient installation space behind the cabinet. Access from the front for servicing and installation purposes must be ensured. The electricians can, if required, be positioned to the left of the fan, on the hood body or in the cabinet. Variants with external motor as an option are also possible.

Installation variants

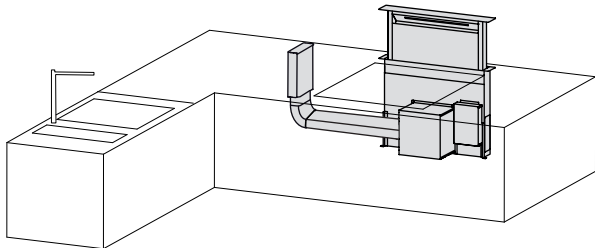
Downdraft extraction hoods

For this installation variant, the base fan feeds the exhaust air through the exhaust air pipe or in a space-saving way through a flat channel through the wall.



Downdraft recirculation hoods with «recirculation box»

The recirculation box is connected to the flat channel in an upright position for this installation variant. For example, the exhaust air can be fed back into the room through a shadow gap. Plans must include an inspection opening for replacing the filter in the recirculation box for this construction variant.



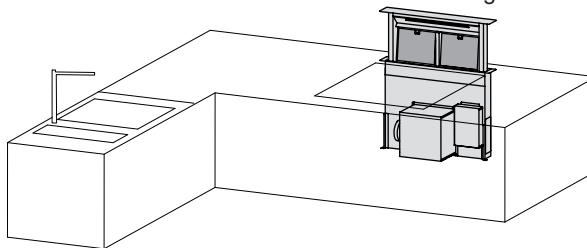
Exhaust air outlet cross section: plan min. 500 cm² for exhaust air in base area.

Downdraft hood with external motor

The motor can be placed externally for this installation variant, e.g. in an adjacent cabinet. A maximum distance of 4 m is recommended. The external motor must be installed on the inside.

Downdraft recirculation hoods with «activated charcoal filters»

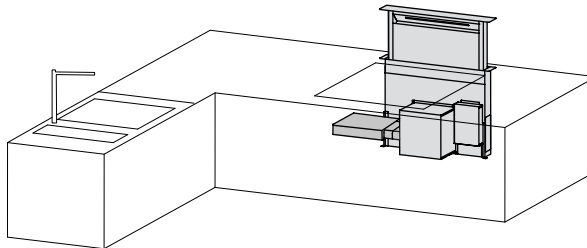
The activated charcoal filters are placed at the front, behind the grease filter, for this installation variant. For example, the exhaust air can be fed back into the room through a shadow gap.



Exhaust air outlet cross section: plan min. 500 cm² for exhaust air in base area.

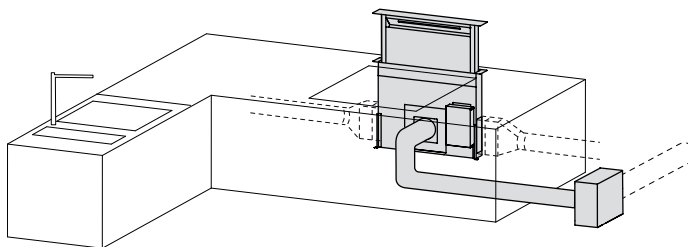
Downdraft recirculation hoods with «recirculation box»

The recirculation box is connected to the base fan for this installation variant. For example, the exhaust air can be fed back into the room through a shadow gap. Plans must include an inspection opening for replacing the filter in the recirculation box for this construction variant.



Exhaust air outlet cross section: plan min. 500 cm² for exhaust air in base area.

Requires external motor set 1012164.





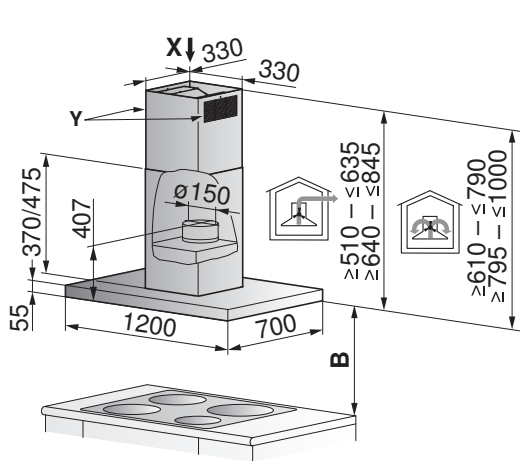
11.3 Island hoods

Applicable to the following hoods:

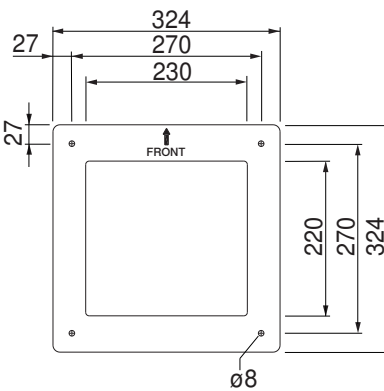
- Telescopic casing (adjustable) is available in various basic heights.
- Mains connection directly above range hood, connection cable 1.2 m with plug.

AiroClearIsland V6000 (63020), DIPQ12 (63016)

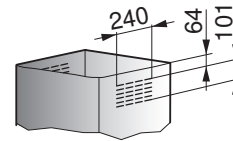
Operating mode	Extraction/recirculation	Mains connection	220–240 V~ 50/60 Hz, 138 W
Noise level	38–63 dB(A) / 41–68 dB(A)	Fuse	10 A
Illumination	4 × 2 W	Fan speeds	4
Motor	1 × 130 W	Weight	~32/35 kg
Options connection	Max. 180 W		



Drilling plan (view X)



Air outlet for recirculation air (detail Y)



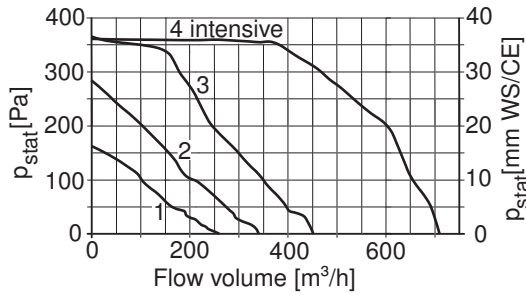
Telescopic casing for extraction/recirculation:

Height is adjustable.
 Available in 2 basic heights.

For recirculation air (detail Y):
 Air outlet left/right and front/back possible.

Minimum distance B above hob

For electric hob: 500 mm
 For gas hob: 750 mm
 Note on minimum distance (see page 73)





11.4 Wall hoods

Applicable to the following hoods:

- Consider type of piping (straight or elbow).
- Telescopic casing (adjustable) is available in various basic heights.
- Connection directly behind telescopic casing.

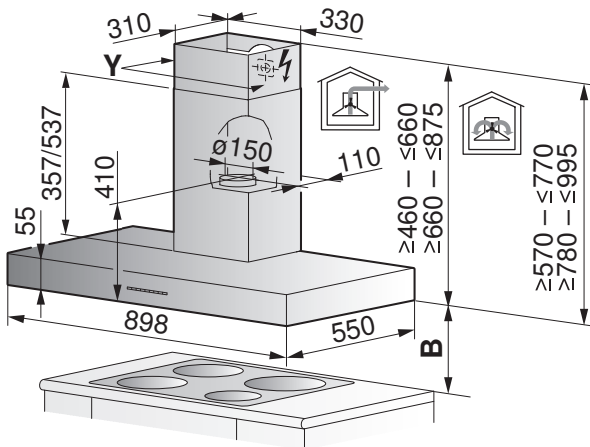
Positions of electrical connections

The specified dimensions are valid for straight exhaust air piping. If exhaust air piping with an elbow are used, the dimensions must be adapted accordingly.

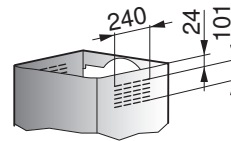
Appliance	Connection from lower part of appliance	Connection from centre	Type of connection
AiroClearWall V6000	495 mm	80 mm	Flush power socket 230 V
DWPQ	495 mm	80 mm	

AiroClearWall V6000 (62028), DWPQ9 (62022)

Operating mode	Extraction/recirculation	Mains connection	220–240 V~ 50/60 Hz, 134 W
Noise level	38–63 dB (A)/41–68 dB (A)	Fuse	10 A
Illumination	2 x 2 W	Fan speeds	4
Motor	1 x 130 W	Weight	~25.5 kg
Option connection	Max. 180 W		

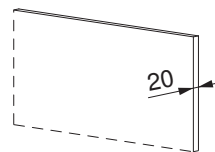


Air outlet for recirculation air (detail Y)



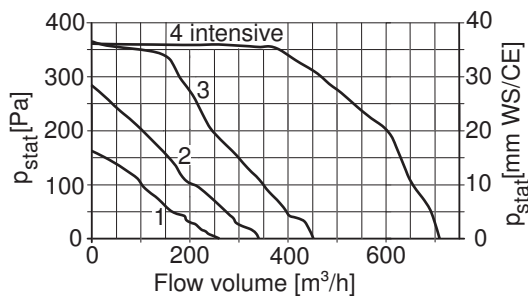
Use of stone cladding

20 mm thick wall panels (granite, marble) are possible.



Telescopic casing for extraction/recirculation:

Height is adjustable.
 Available in 2 basic heights.

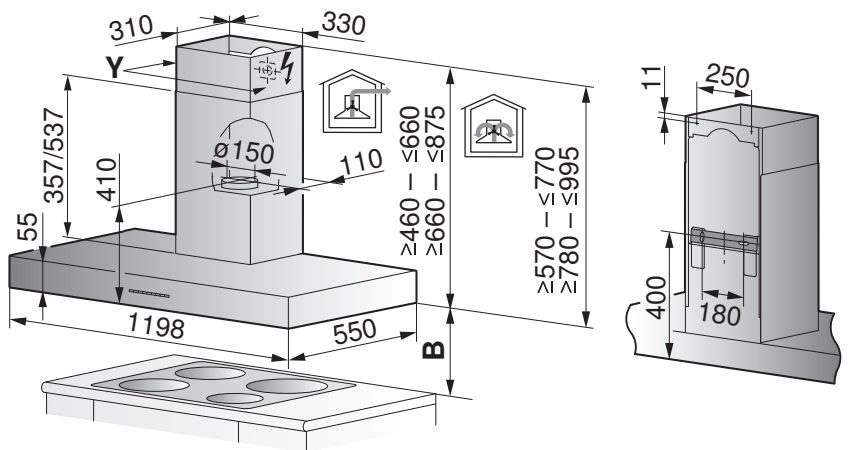


Minimum distance B above hob:

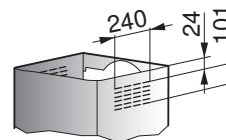
For electric hob: 500 mm
 For gas hob: 750 mm
 Note on minimum distance (see page 73)

AiroClearWall V6000 (62029), DWPQ12 (62023)

Operating mode	Extraction/recirculation	Mains connection	220–240 V~ 50/60 Hz, 134 W
Noise level	38–63 dB(A) / 41–68 dB(A)	Fuse	10 A
Illumination	3 × 2 W	Fan speeds	4
Motor	1 × 130 W	Weight	~29 kg
Options connection	Max. 180 W		

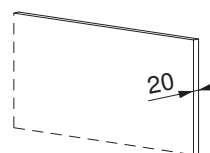


Air outlet for recirculation air (detail Y)



Use of stone cladding

20 mm thick wall panels (granite, marble) are possible.



Minimum distance B above hob:

For electric hob: 500 mm

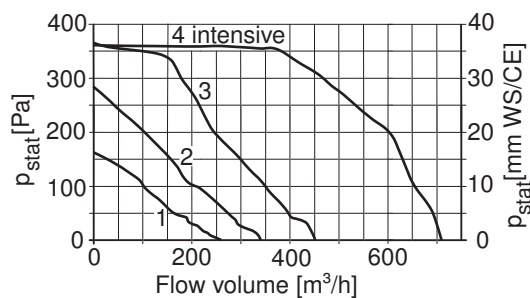
For gas hob: 750 mm

Note on minimum distance (see page 73)

Telescopic casing for extraction/recirculation:

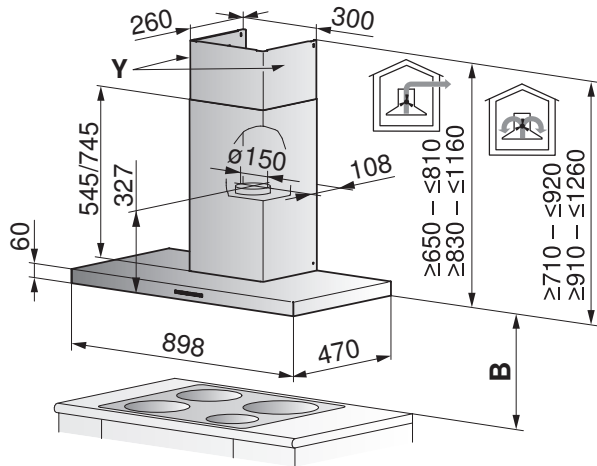
Height is adjustable.

Available in 2 basic heights.

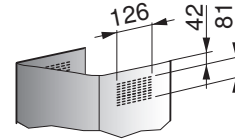


DWQS9 (62021)

Operating mode	Extraction/recirculation	Mains connection	220–240 V~ 50/60 Hz, 272 W
Noise level	52–69 dB(A) / 69–76 dB(A)	Fuse	10 A
Illumination	2 × 1 W	Fan speeds	4
Motor	1 × 270 W	Weight	~22 kg
Options connection	Max. 200 W		

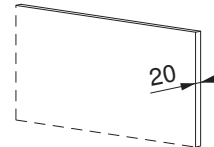


Air outlet for recirculation air (detail Y)



Use of stone cladding

20 mm thick wall panels (granite, marble) are possible.

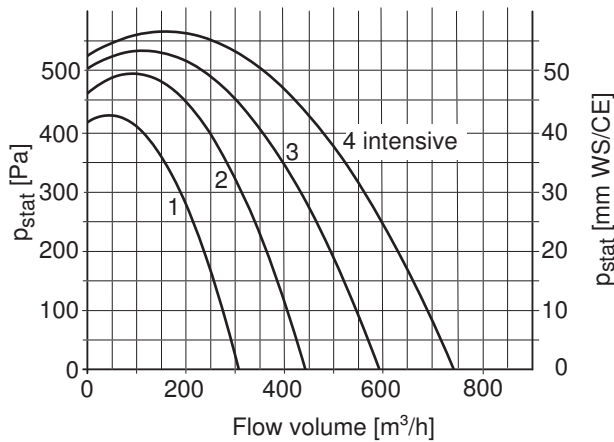


Telescopic casing for extraction/recirculation:

Height is adjustable.
 Available in 2 basic heights.

Minimum distance B above hob:

For electric hob: 650 mm
 For gas hob: 750 mm
 Note on minimum distance (see page 73)



11.5 Built-in hoods

Applicable to the following hoods:

- Connection cable 1.2 m with plug

Positions of electrical connections

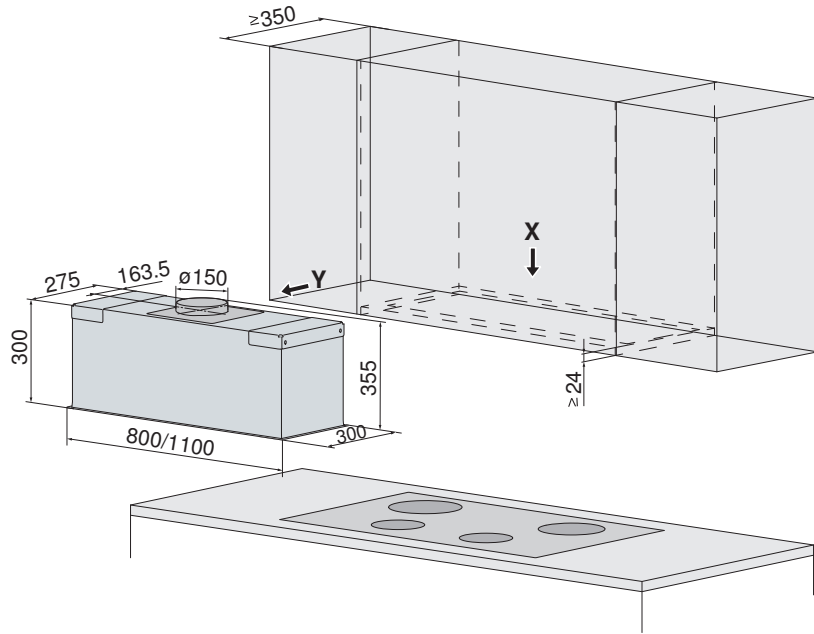
The specified dimensions are valid for straight exhaust air piping. If exhaust air piping with an elbow are used, the dimensions must be adapted accordingly.

Appliance	Connection from floor (plinth height 100 mm)	Connection in niche (from centre to connection)	Type of connection
All models	2050 mm	180 mm	Flush power socket 230 V

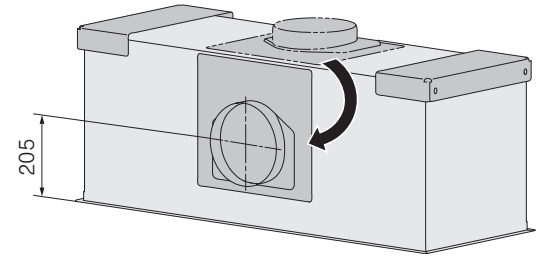


DHL8 (64001), DHL11 (64002)

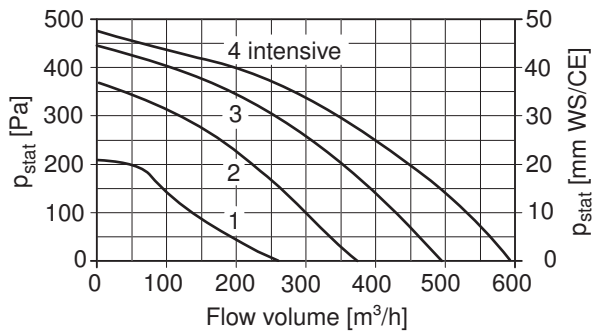
Operating mode	Extraction/recirculation	Mains connection	220–240 V~ 50/60 Hz, 200 W
Noise level	40–61 dB(A)	Fuse	10 A
Illumination	4 × 3 W	Fan speeds	4
Motor	188 W	Weight	~22.5/30.5 kg



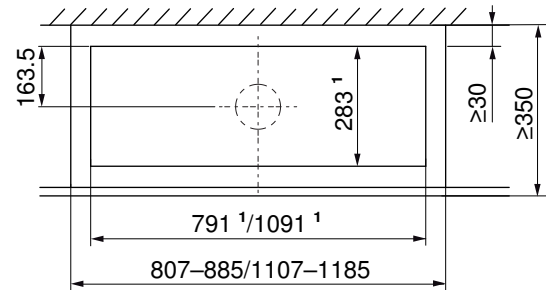
View Y



The range hood can be converted so that the exhaust air connection is at the back of the appliance.



Cut-out for wall unit (view X)



¹ Cut-out measurements

Minimum distance B above hob:

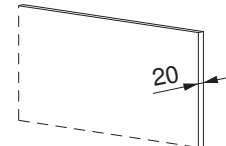
For electric hob: 500 mm

For gas hob: 750 mm

Note on minimum distance (see page 73)

Use of stone cladding

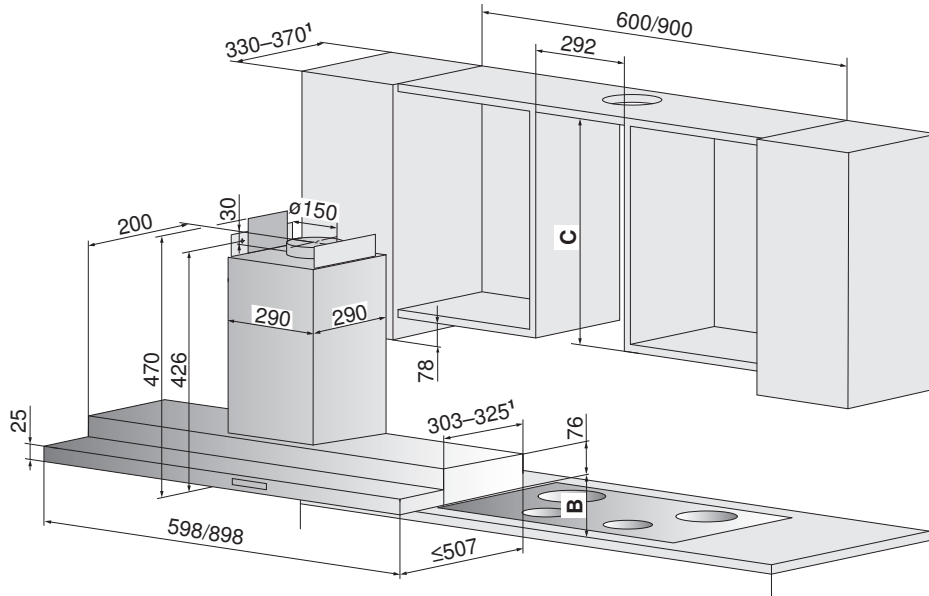
20 mm thick wall panels (granite, marble) are possible.





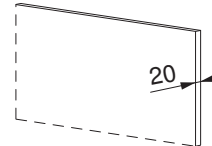
AiroClearCabinet V6000 (61058/61060), DFPQSL6/9 (61037/61038)

Operating mode	Extraction/recirculation	Mains connection	220–240 V~ 50/60 Hz, 134 W
Noise level	38–64 dB(A) / 42–69 dB(A)	Fuse	10 A
Illumination	2 × 2 W	Fan speeds	4
Motor	1 × 130 W	Weight	21.8/27.1 kg
Options connection (optional)	Max. 180 W		



Use of stone cladding

20 mm thick wall panels (granite, marble) are possible.



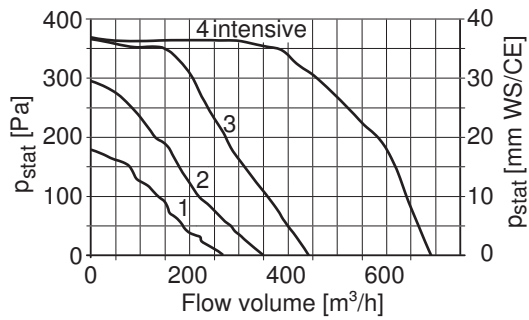
Minimum distance B above hob:

For electric hob: 500 mm

For gas hob: 750 mm

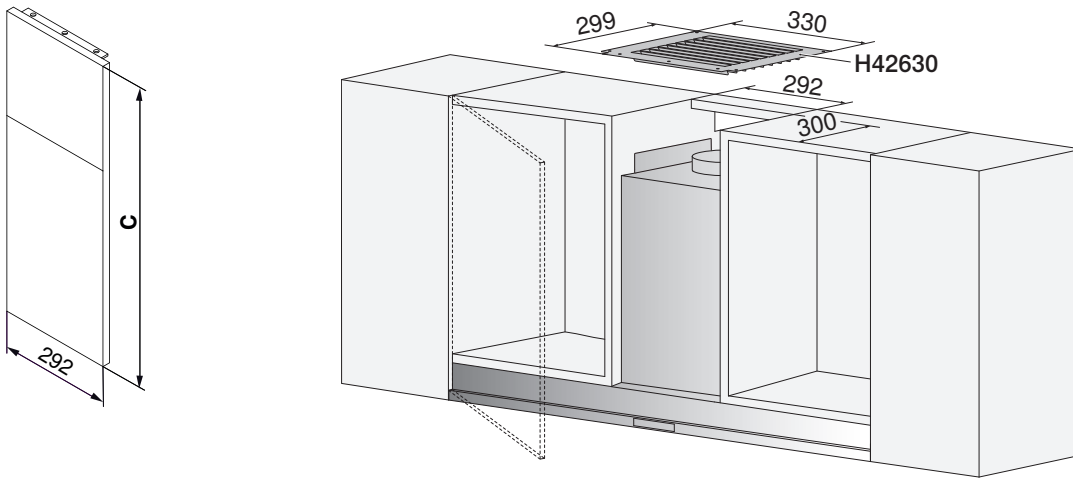
Note on minimum distance (see page 73)

¹ For wall unit depth of 351–370 mm: additional finished profile required.



Finished profile included in scope of delivery:			Available as option:			
Type	Width	Wall unit depth	Type	Width	Wall unit depth	Article no.
V6000 (61058), DFPQSL6	598 mm	330–350 mm	V6000 (61058), DFPQSL6	598 mm	351–370 mm	1046979
V6000 (61060), DFPQSL9	898 mm	330–350 mm	V6000 (61060), DFPQSL9	898 mm	351–370 mm	1046980

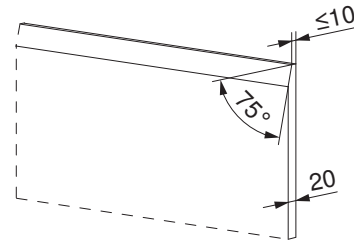
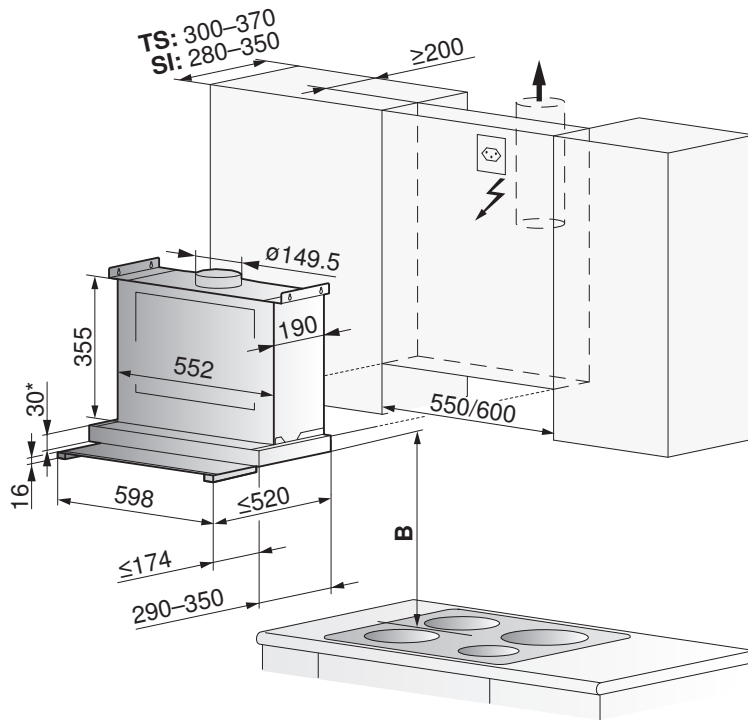
Front cover available as option				Recirculation air set for wall unit without panel, available as option, can be combined with 1046971 and 1046972		
Type	Material	Height C	Article no.	Type	Material	Article no.
All	ChromeClass	410–790 mm	1046971	All	ChromeClass	H42630
All	ChromeClass	791–1150 mm	1046972			



DFSG6 (61031)

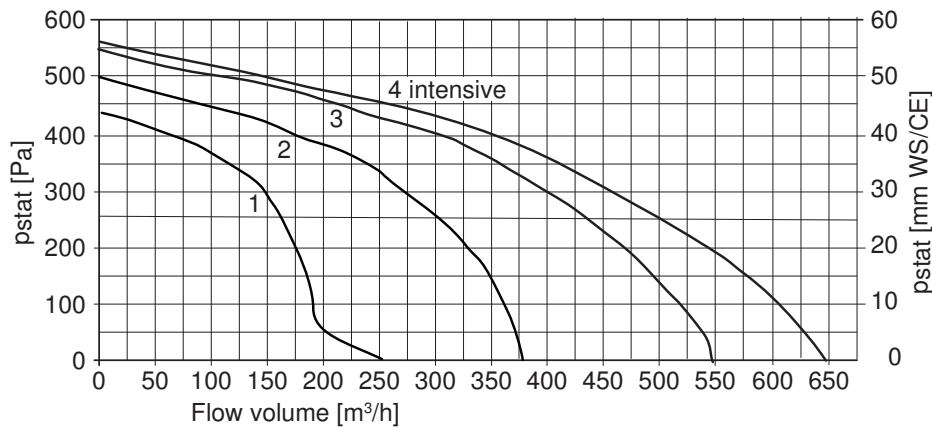
Operating mode	Extraction/recirculation	Mains connection	220–240 V~ 50/60 Hz, 207 W
Noise level	46–66 dB(A)	Fuse	10 A
Illumination	1 × 7 W, 230 V~	Fan speeds	4
Motor	1 × 200 W	Weight	~16.5 kg

Use of stone cladding 20 mm thick wall panels (granite, marble) with a chamfer are possible.



Installation variants: Partially visible (TS), visible (SI)

* If the range hood is built in on a level with the bottom of the unit, another 2 mm must be planned in due to the upper hood cover.



Minimum distance B above hob:

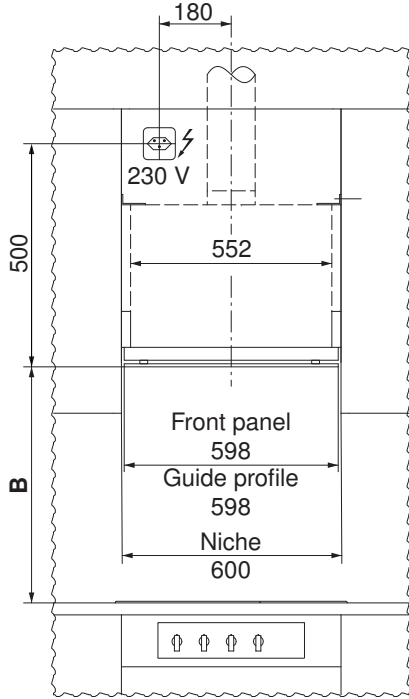
For electric hob: 430 mm

For gas hob: 750 mm

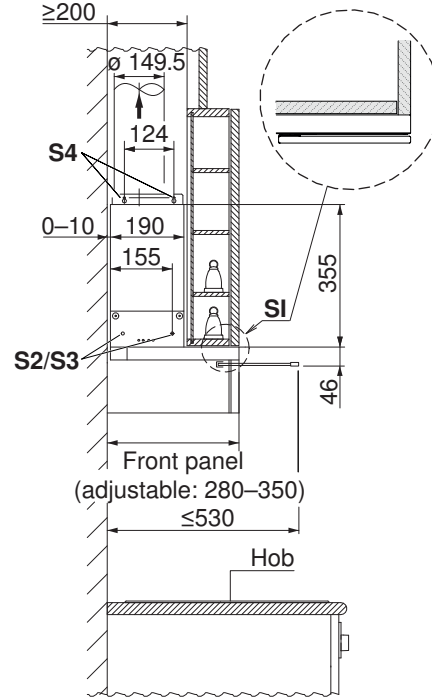
Note on minimum distance (see page 73)



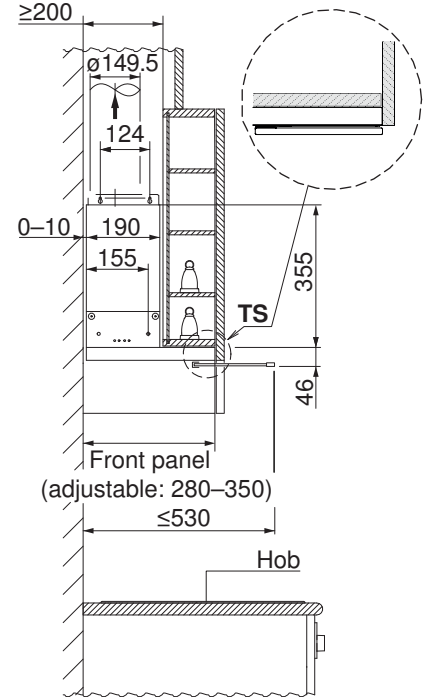
Installation variants:



Visible (SI)

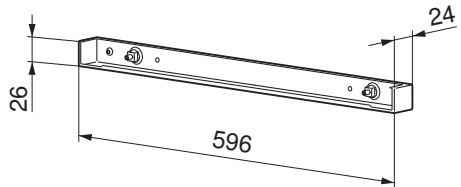


Partially visible (TS)

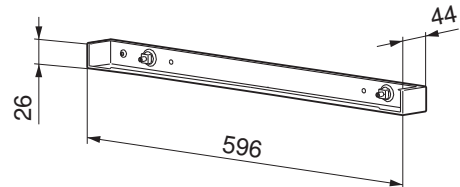


Finished profile	Type	Width	Wall unit depth	Colour	Scope of delivery	Article no.
Narrow	DFSG6	596 mm	280–300 mm	ChromeClass	No/option	H42225
Medium			290–320 mm		Yes	H42226
Wide			321–350 mm		Yes	H42281

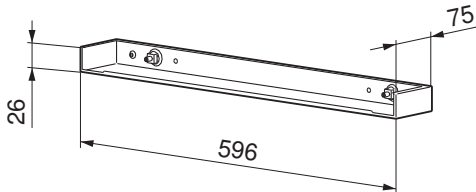
Narrow profile section 280–300 mm available as option



Medium profile section 290–320 mm included in scope of delivery

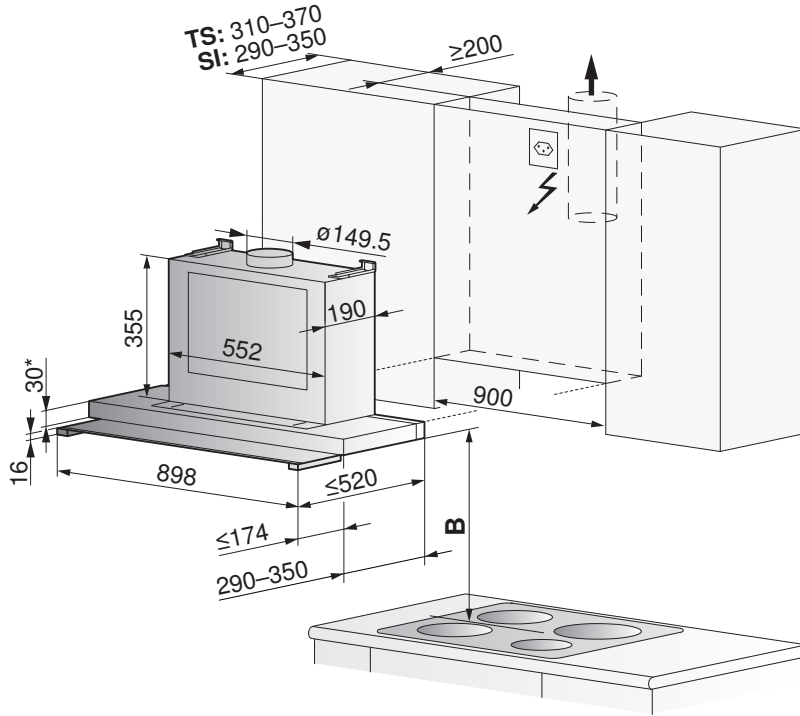


Wide profile section 321–350 mm included in scope of delivery



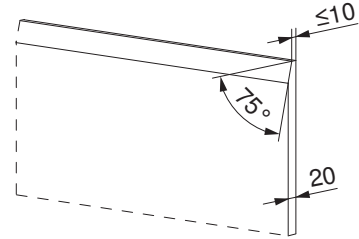
DFSG9 (61033)

Operating mode	Extraction/recirculation	Mains connection	220–240 V~ 50/60 Hz, 207 W
Noise level	46–66 dB (A)	Fuse	10 A
Illumination	1 × 7 W, 230 V~	Fan speeds	4
Motor	1 × 200 W	Weight	~19 kg



Use of stone cladding

20 mm thick wall panels (granite, marble) with a chamfer are possible.



Installation variants: Partially visible (TS), visible (SI)

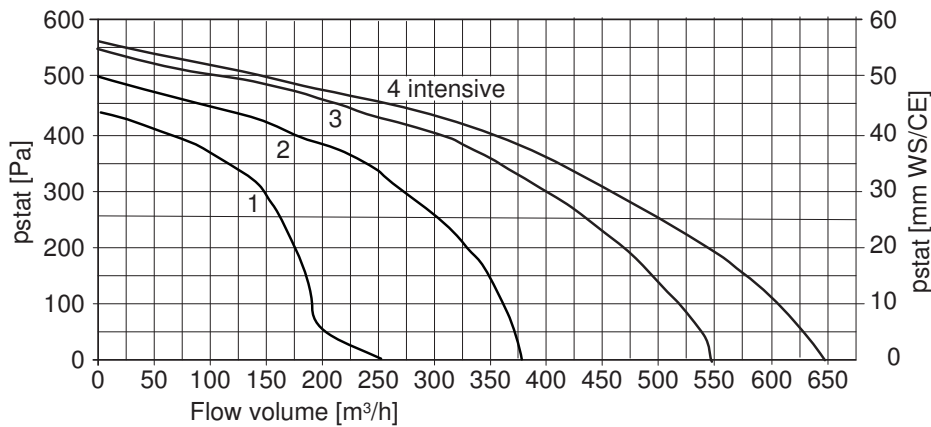
* If the range hood is built in on a level with the bottom of the unit, another 2 mm must be planned in due to the upper hood cover.

Minimum distance B above hob:

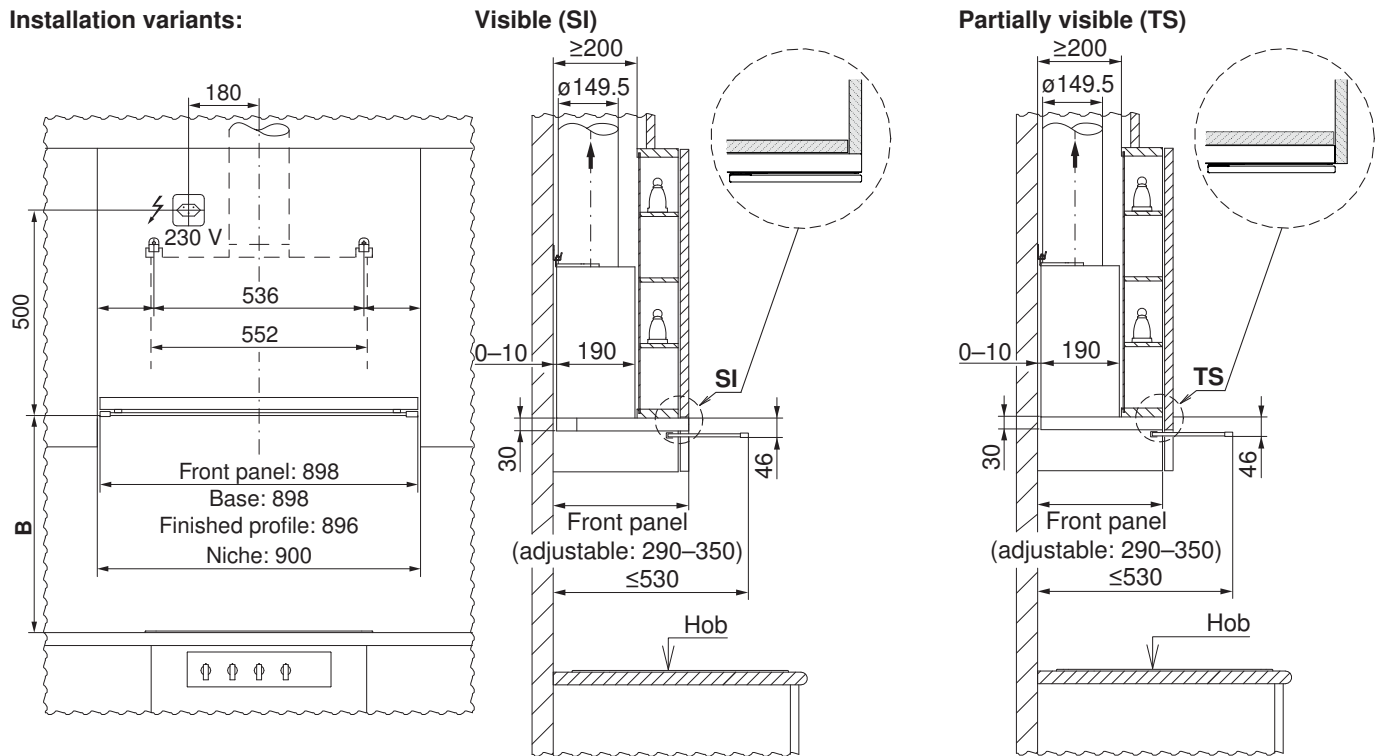
For electric hob: 430 mm

For gas hob: 750 mm

Note on minimum distance (see page 73)

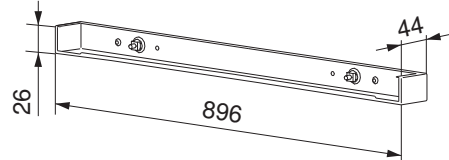


Installation variants:

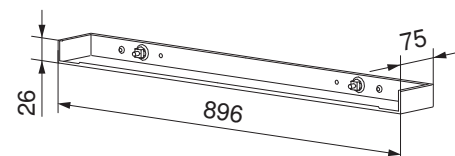


Finished profile	Type	Width	Wall unit depth	Colour	Scope of delivery	Article no.
Medium	DFSG9	896 mm	290–320 mm	ChromeClass	Yes	1056116
Wide			321–350 mm		Yes	H42294

Medium profile section 290–320 mm included in scope of delivery



Wide profile section 321–350 mm included in scope of delivery



12 Dishwashers

Dishwashers with heat pump (see page 107)

12.1 General notes

Efficient repairs can only be guaranteed if it is possible to uninstall the whole appliance at any time without causing any damage.

At any time it must be possible to pull the appliance out of the niche horizontally without dismantling any part of the cabinet.

For work surfaces that are susceptible to moisture, use work surface protection W70163.

General operating conditions

Ambient temperature: from min. 10 °C to max. 35 °C

The appliances are designed for use up to a max. altitude of 2000 m above sea level. .

12.2 Electrical connection data / plumbing in



Designation		Connection from floor (plinth height 105 mm)	Connection in niche (from centre to connection)	Type of connection
A	Electrical connection	600 mm	K = 160 mm	Flush power socket 230 V
B	Cold water	600 mm	N = 170 mm	G ³ / ₄ "
C	Hot water *	600 mm	M = 70 mm	G ³ / ₄ "
D	Outlet	400 mm	L = 110 mm	ø56 mm
G1	Dishwasher in base unit	Connection in adjacent compartment left or right		
G2	Dishwasher in tall unit	Connection in max. 2 compartments left or right		

* Water connection at >60 °C is not recommended

Electrical connection data

Appliance	Country group *	Mains connection	Rated load	Fuse	Mains cable
Adora SL (41059–41061, 41086)	A, E	230 V~ 50 Hz	3200 W	16 A	1.5 m, with plug
	B, C		2200 W	10 A	
	D	220–240 V~ 50 Hz	2200 W	16 A	
	F		3200 W		
Adora S (41079, 41080)	A, B, C, D, E, F	230 V~ 50 Hz	2200 W	10 A	1.7 m, with plug
Adora N (41075, 41077)					
Adorina 60 (41087)	C, F				

* Key (see page 2)

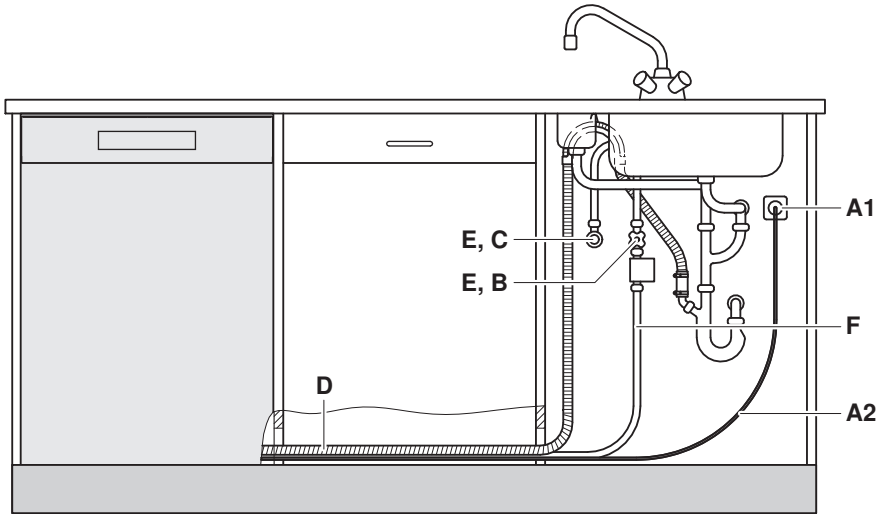
Plumbing-in data



For special cases with water hardness in excess of 50 °fH, an external water softener is recommended.

Value		Nominal value	Minimum	Maximum
Mains pressure (0.1 MPa = 1 bar)	Static	0.3–0.4 MPa	0.1 MPa	1.0 MPa
	Flowing	–	0.08 MPa	1.0 MPa
Water hardness		–	0.5 °fH	50 °fH
Water inlet temperature		–	5 °C	60 °C

Connection example



Designation		Adora dishwasher
A1	Power socket	Yes
A2	Connection cable	Length 1.50 m
B	Cold water connection	Yes
C	Hot water connection	Yes
D	Drain hose	Length 1.55 m / internal diameter = 22 mm
E	Shut-off devices	Yes
F	Aquastop / water inlet with filter, G ^{3/4} "	Length 1.55 m



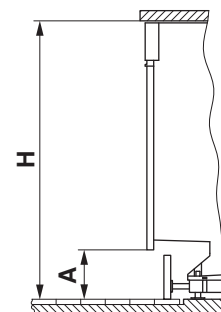
12.3 Installation overview

Depending on niche height **H**, either standard or extra height appliances or only one of the two can be installed.

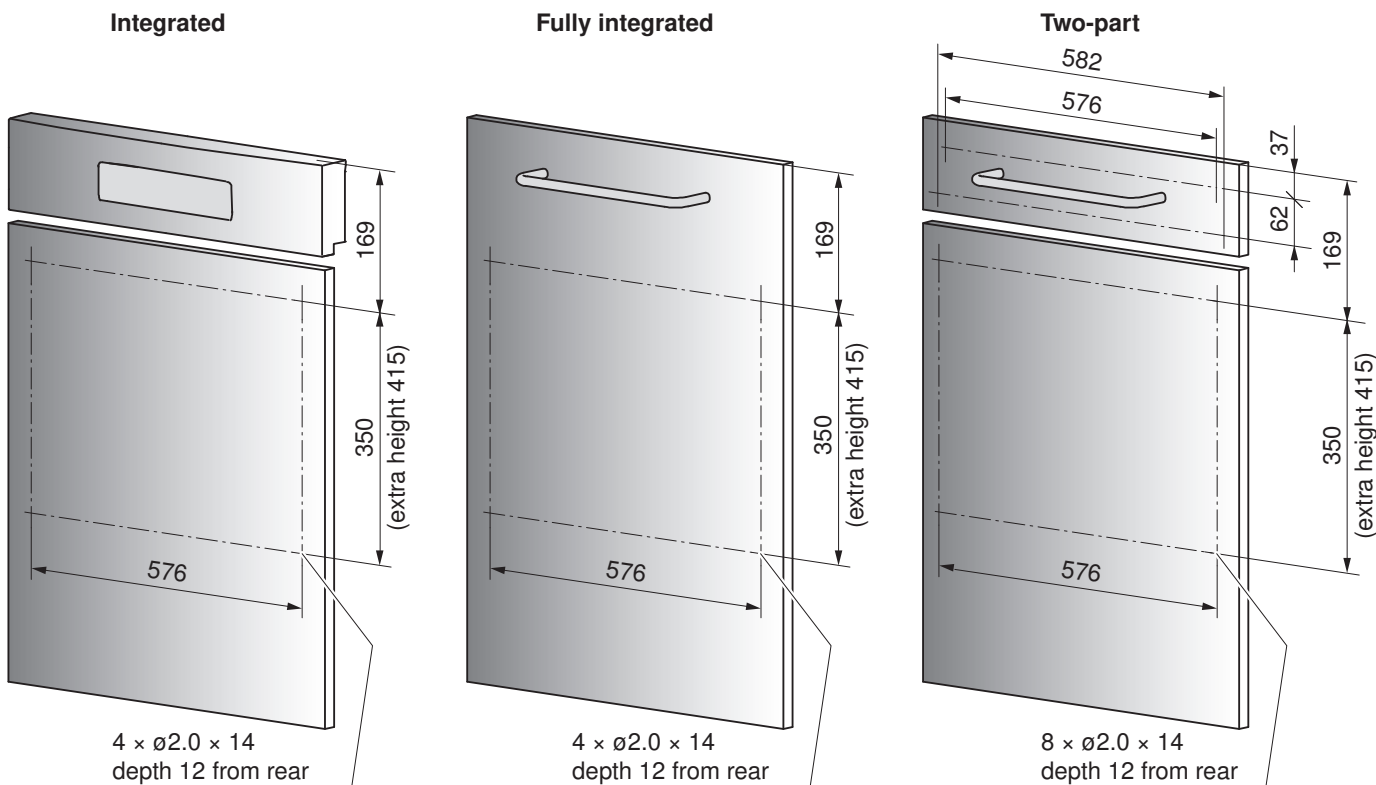
Niche height **H** in mm

	790	800	810	820	830	840	851	860	870	880	890	900	910	920	930	940	950	960
250												S						G
240											S	S					G	G
230										S	S	S				G	G	G
220									S	S	S	S			G	G	G	G
210								S	S	S	S	S		G	G	G	G	G
200							S	S	S	S	S	S	G	G	G	G	G	G
190						S	S	S	S	S	S	S/G	G	G	G	G	G	G
180					S	S	S	S	S	S	S/G	S/G	G	G	G	G	G	G
170				S	S	S	S	S	S	S/G	S/G	S/G	G	G	G	G	G	G
160			S	S	S	S	S	S	S/G	S/G	S/G	S/G	G	G	G	G	G	G
150		S	S	S	S	S	S	S/G	S/G	S/G	S/G	S/G	G	G	G	G	G	G
140	S	S	S	S	S	S	S/G	S/G	S/G	S/G	S/G	S/G	G	G	G	G	G	G
130	S	S	S	S	S	S	S/G	S/G	S/G	S/G	S/G	G	G	G	G	G	G	
120	S	S	S	S	S	S	S/G	S/G	S/G	S/G	G	G	G	G	G	G		
110	S	S	S	S	S	S	S/G	S/G	S/G	G	G	G	G	G	G			
107	S	S	S	S	S	S	S/G	S/G	S/G	G	G	G	G	G				
100	S	S	S	S	S	S	S/G	S/G	G	G	G	G	G	G				
90	S	S	S	S	S	S	S/G	G	G	G	G	G	G					
80	S	S	S	S	S	S	G	G	G	G	G	G						
70	S	S	S	S	S		G	G	G	G	G							
60	S	S	S	S			G	G	G	G								
50	S	S	S				G	G	G									
40	S	S					G	G										
30	S						G											
23							G											

- S Standard
- G Extra height
- S/G Standard and extra height



12.4 Drilling plans for decor panel 60 cm



For stronger springs, see Accessories (see page 138)
 For particularly heavy decor panels, use door hinge brake art. no. 1011228.

12.5 Adora SL, S, N with niche width 60 cm

It must be ensured air gap remains in the shadow gap.

Screws and fasteners must be countersunk in the niche. There should be no protruding parts, screw heads, brackets, etc., otherwise parts of the appliance could become damaged (risk of water damage).

The permissible weights of the front panel / decor system **1** depend on the design variant:

Decor system	Integrated Nero, white	Integrated ChromeClass	Design integrated Black glass	Fully integrated
Maximum weight	8 kg	7 kg	6.5 kg	7 kg
Minimum weight	5.5 kg	4.5 kg	4 kg	5 kg

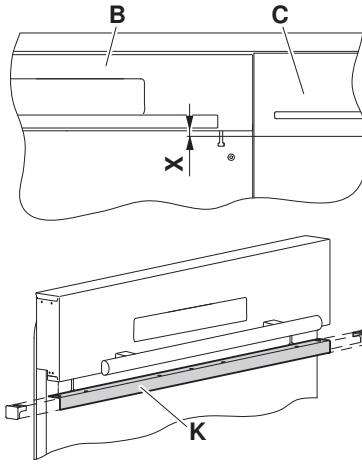
- Front panel / decor system (wood) **1** fully integrated must be cut to the necessary dimensions.

For stronger springs, see Accessories (see page 138)
 For particularly heavy decor panels, use door hinge brake art. no. 1011228.

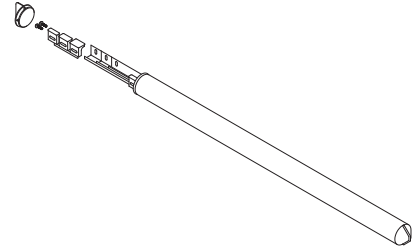
Compensator for ChromeClass and black glass

Compensator set: See Accessories (see page 138)

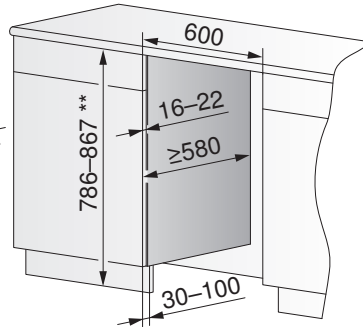
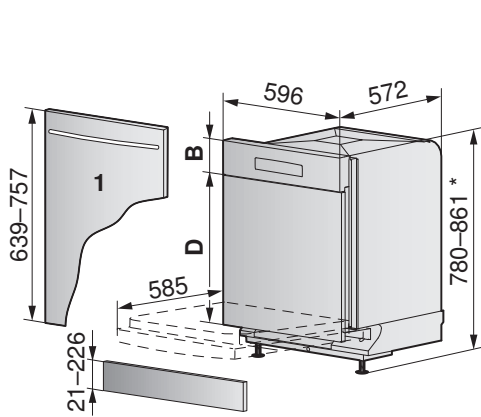
If the bottom edge of the operating panel **B** is not at the same height **X** as the bottom edge of the adjacent kitchen drawer **C**, a levelling piece (compensator **K**) must be mounted (see Installation instructions J18251).



Compensators contained in the set:
 8 mm, 12 mm, 16 mm



Base unit «standard»

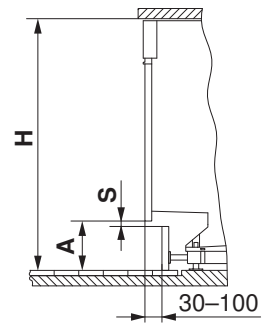


* From 861 up to max. 896 with a second runner only, can be ordered under W82930

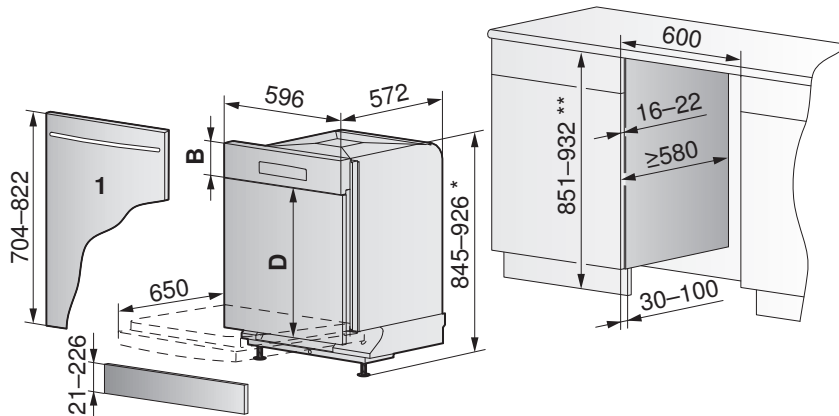
** From 867 up to max. 902 with a second runner only, can be ordered under W82930

«Standard»	Nero, white	ChromeClass	Black glass
Operating panel B incl. compensator	124–146 mm	124–140 mm	124–140 mm
Decor panel D	490–632 mm	496–632 mm	496–632 mm

Dimension A in mm	Niche height H in mm												Min. S in mm
	790	800	810	820	830	840	850	860	870	880	890	900	
Min.	27	37	47	57	67	77	87	97	107	117	127	137	2
	37	47	57	67	77	87	97	107	117	127	137	147	2
	47	57	67	77	87	97	107	117	127	137	147	157	2
	57	67	77	87	97	107	117	127	137	147	157	167	2
	67	77	87	97	107	117	127	137	147	157	167	177	2
	77	87	97	107	117	127	137	147	157	167	177	187	2
	87	97	107	117	127	137	147	157	167	177	187	197	2
	97	107	117	127	137	147	157	167	177	187	197	207	2
	107	117	127	137	147	157	167	177	187	197	207	217	5
	117	127	137	147	157	167	177	187	197	207	217	227	10
	127	137	147	157	167	177	187	197	207	217	227	237	15
	137	147	155	167	177	187	197	207	217	227	237	247	23
Max.	145	155	165	175	185	195	205	215	225	235	245	255	30



Base unit «extra height»

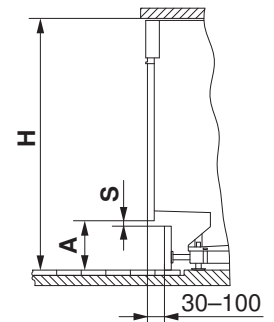


* From 926 up to max. 961 with a second runner only, can be ordered under W82930

** From 932 up to max. 967 with a second runner only, can be ordered under W82930

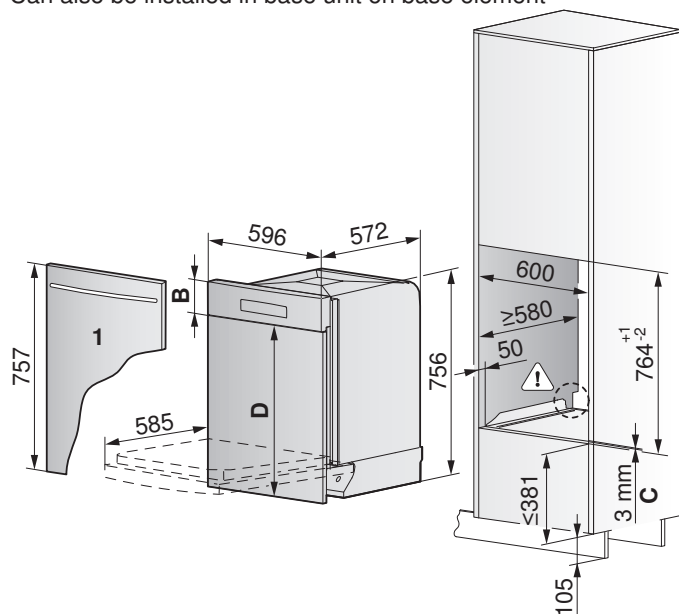
«Extra height»	Nero, white	ChromeClass	Black glass
Operating panel B incl. compensator	124–146 mm	124–140 mm	124–140 mm
Decor panel D	555–697 mm	561–697 mm	561–697 mm

Dimension A in mm	Niche height H in mm												Min. S in mm
	851	860	870	880	890	900	910	920	930	940	950	960	
Min.	23	32	42	52	62	72	82	92	102	112	122	132	2
	33	42	52	62	72	82	92	102	112	122	132	142	2
	43	52	62	72	82	92	102	112	122	132	142	152	2
	53	62	72	82	92	102	112	122	132	142	152	162	2
	63	72	82	92	102	112	122	132	142	152	162	172	2
	73	82	92	102	112	122	132	142	152	162	172	182	2
	83	92	102	112	122	132	142	152	162	172	182	192	2
	93	102	112	122	132	142	152	162	172	182	192	202	2
	103	112	122	132	142	152	162	172	182	192	202	212	5
	113	122	132	142	152	162	172	182	192	202	212	222	10
	123	132	142	152	162	172	182	192	202	212	222	232	15
	133	142	152	162	172	182	192	202	212	222	232	242	23
Max.	141	150	160	170	180	190	200	210	220	230	240	250	30

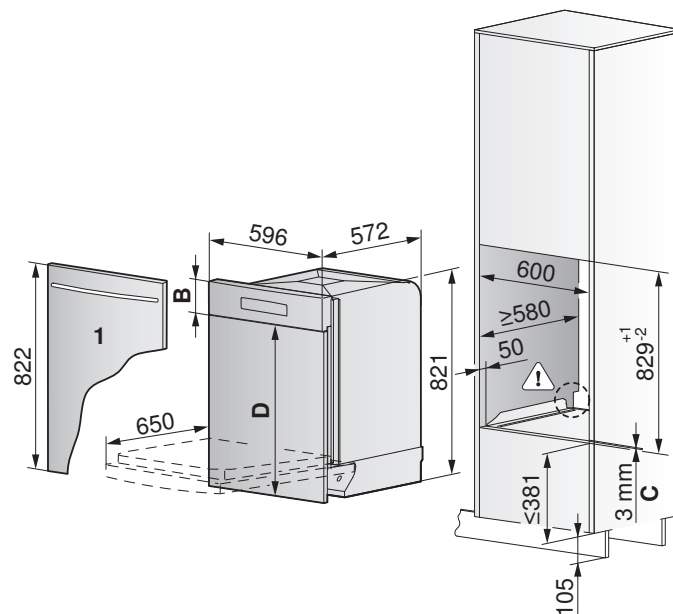


Tall unit «standard»

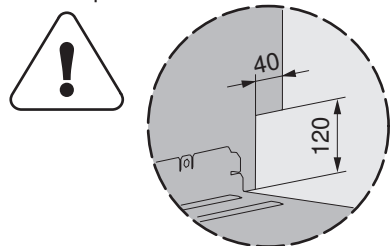
Can also be installed in base unit on base element



Tall unit «extra height»



C Slide plate *

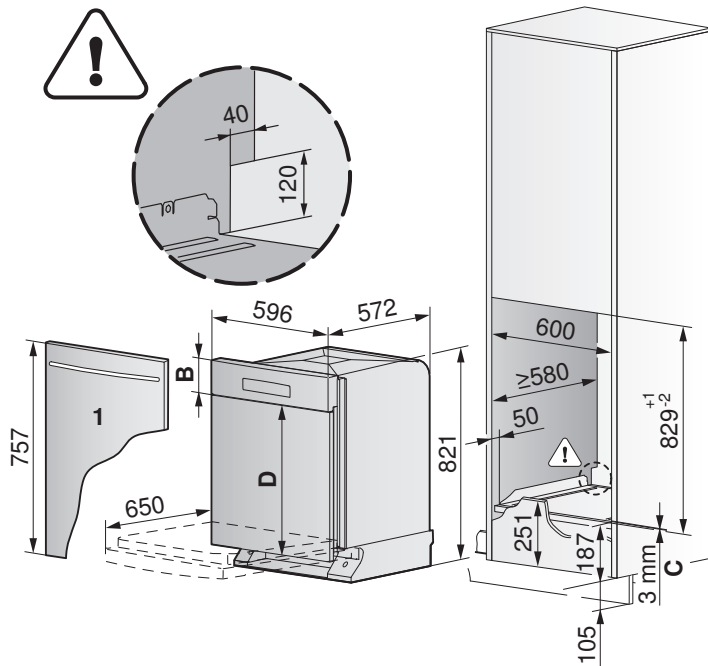


«Standard»	Nero, white	ChromeClass	Black glass
Operating panel B incl. compensator	124–146 mm	124–140 mm	124–140 mm
Decor panel D	610–632 mm	616–632 mm	616–632 mm
«Extra height»	Nero, white	ChromeClass	Black glass
Operating panel B incl. compensator	124–146 mm	124–140 mm	124–140 mm
Decor panel D	675–697 mm	681–697 mm	681–697 mm

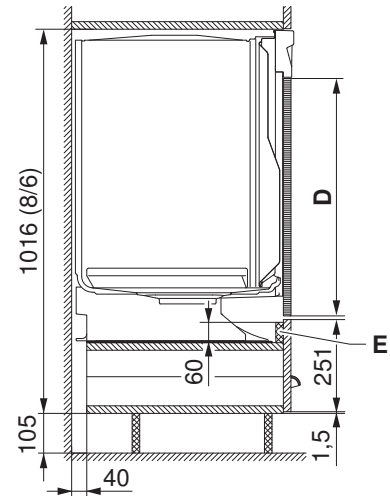


* Slide plate conversion set for tall unit must be ordered from V-ZUG, see Accessories (see page 138).

Tall unit «extra height» with decor panel and drawer 251 mm



Cross-section of installation variant



C Slide plate *

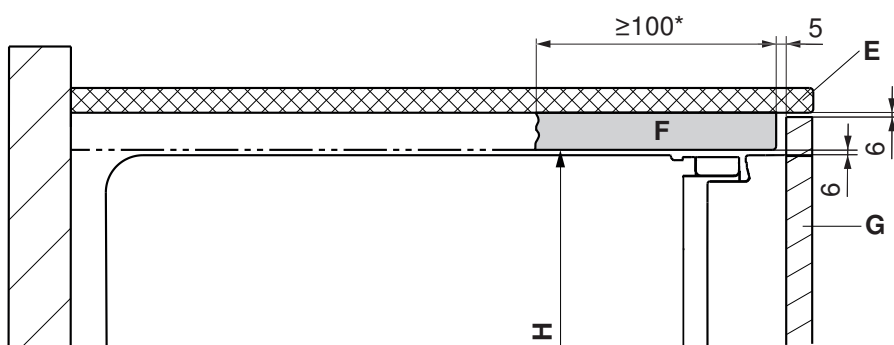
E Removable cover strip

«Extra height»	Nero, white	ChromeClass	Black glass
Operating panel B incl. compensator	124–146 mm	124–140 mm	124–140 mm
Decor panel D	610–632 mm	616–632 mm	616–632 mm



* Slide plate conversion set for tall unit must be ordered from V-ZUG, see Accessories (see page 138).

Installing extra-long decor panel



* A continuous soffit vent is recommended.

- E** Worktop
- F** Continuous soffit vent
- G** Decor panel
- H** Niche height

13 Dishwashers with heat pump

13.1 General notes



Efficient repairs can only be guaranteed if it is possible to uninstall the whole appliance at any time without causing any damage.



At any time it must be possible to pull the appliance out of the niche horizontally without dismantling any part of the cabinet.



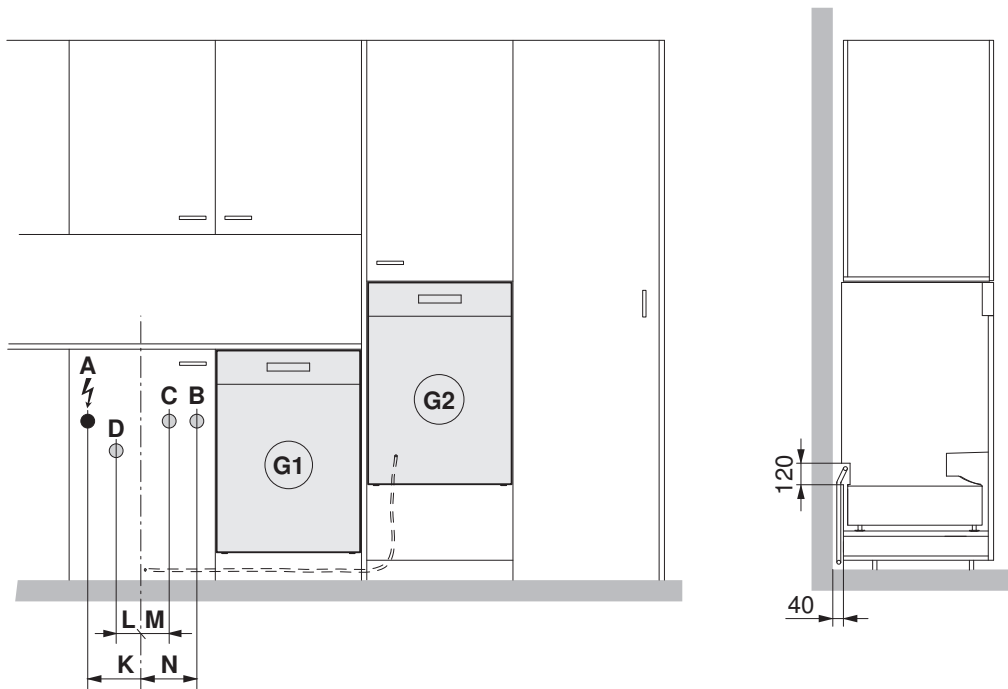
For work surfaces that are susceptible to moisture, use work surface protection W70163.

General operating conditions

Ambient temperature: from min. 10 °C to max. 35 °C

The appliances are designed for use up to a max. altitude of 2000 m above sea level. .

13.2 Electrical connection data / plumbing in



Designation		Connection from floor (plinth height 105 mm)	Connection in niche (from centre to connection)	Type of connection
A	Electrical connection	600 mm	K = 160 mm	Flush power socket 230 V
B	Cold water	600 mm	N = 170 mm	G ³ / ₄ "
C	Hot water *	600 mm	M = 70 mm	G ³ / ₄ "
D	Outlet	400 mm	L = 110 mm	ø56 mm
G1	Dishwasher in base unit	Connection in adjacent compartment left or right		
G2	Dishwasher in tall unit	Connection in max. 2 compartments left or right		

* Water connection at >60 °C is not recommended

Electrical connection data

Appliance	Country group*	Mains connection	Rated load	Fuse	Mains cable
Adora SL WP (41046, 41082)	A, E	230 V~ 50 Hz	3200 W	16 A	1.5 m, with plug
	B		2200 W	10 A	
	D	220–240 V~ 50 Hz	2200 W	16 A	
	F		3200 W		

* Key (see page 2)

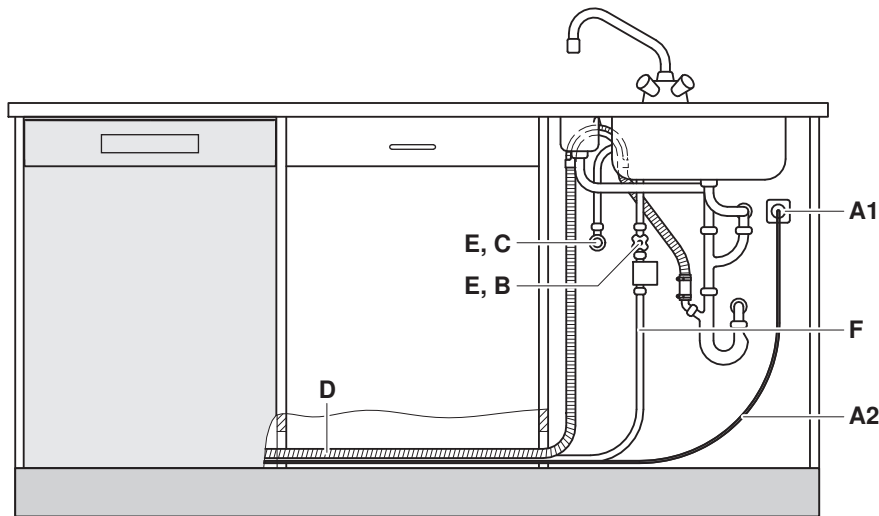
Plumbing-in data



For special cases with water hardness in excess of 50 °fH, an external water softener is recommended.

Value		Nominal value	Minimum	Maximum
Mains pressure (0.1 MPa = 1 bar)	Static	0.3–0.4 MPa	0.1 MPa	1.0 MPa
	Flowing	–	0.08 MPa	1.0 MPa
Water hardness		–	0.5 °fH	50 °fH
Water inlet temperature		–	5 °C	60 °C

Connection example



Designation		Adora dishwasher
A1	Power socket	Yes
A2	Connection cable	Length 1.50 m
B	Cold water connection	Yes
C	Hot water connection	Yes
D	Drain hose	Length 1.55 m / internal diameter = 22 mm
E	Shut-off devices	Yes, 3/4"
F	Aquastop / water inlet with filter, G3/4"	Length 1.55 m

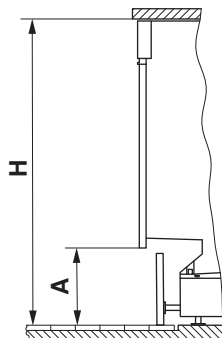
See Accessories (see page 138) for special connection lengths.

13.3 Installation summary



Keep base compartment unobstructed, appliance stands on the floor.

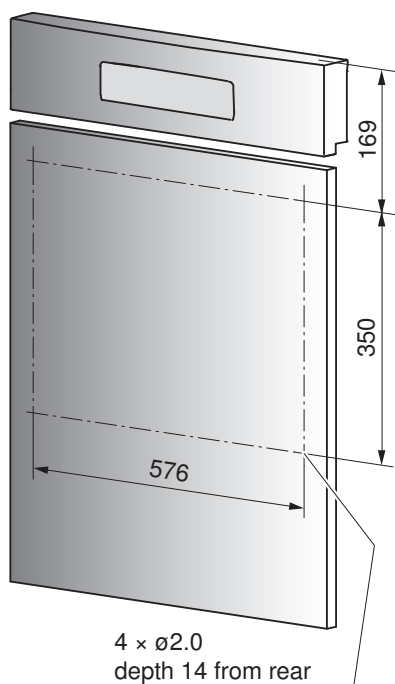
		Niche height H in mm				
		870	880	890	900	910
Dimension A in mm	200					S
	190				S	S
	180			S	S	S
	170		S	S	S	S
	160	S	S	S	S	S
	150	S	S	S	S	S
	140	S	S	S	S	
	130	S	S	S		
	120	S	S			
	110	S				
	105	S				



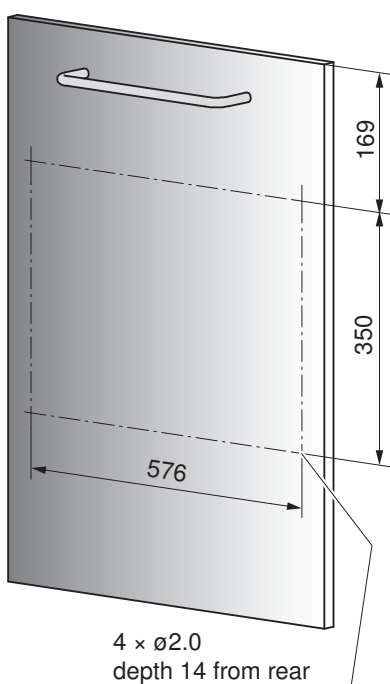
S Standard without cabinet plinth

13.4 Drilling plans for decor panel 60 cm

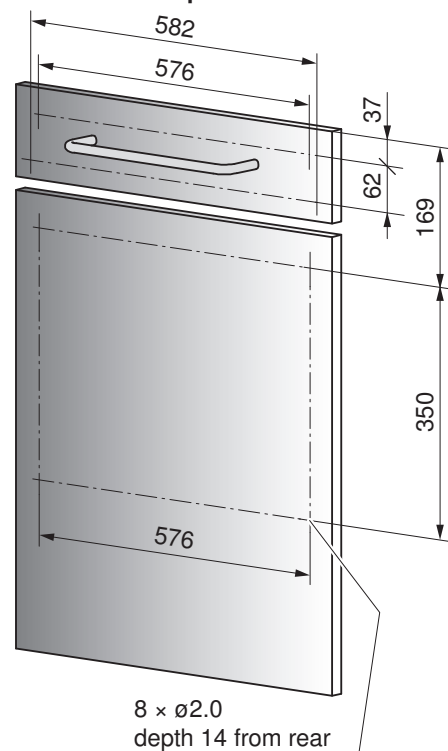
Integrated



Fully integrated



Two-part



For stronger springs, see Accessories (see page 138)

For particularly heavy decor panels, use door hinge brake art. no. 1011228.

13.5 Adora SL WP with niche width 60 cm



It must be ensured air gap remains in the shadow gap.



Screws and fasteners must be countersunk in the niche. There should be no protruding parts, screw heads, brackets, etc., otherwise parts of the appliance could become damaged (risk of water damage).



It must be possible to pull the appliance out of the niche horizontally at any time without dismantling any part of the cabinet.

The permissible weights of the front panel / decor system **1** depend on the design variant:

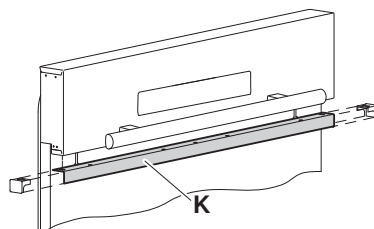
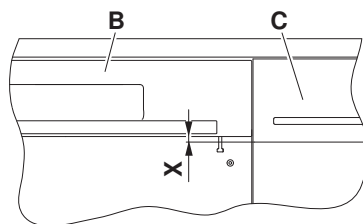
Decor system	Integrated Nero, white	Integrated ChromeClass	Design integrated Black glass	Fully integrated
Maximum weight	8 kg	7 kg	6.5 kg	7 kg
Minimum weight	5.5 kg	4.5 kg	4 kg	5 kg

- Front panel / decor system (wood) **1** fully integrated must be cut to the necessary dimensions.

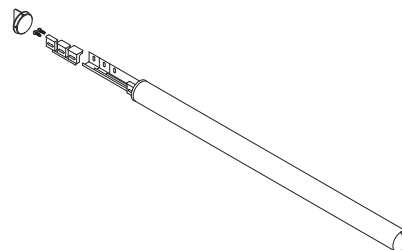
Compensator for ChromeClass and black glass

Compensator set: See Accessories Dishwashers (see page 138)

If the bottom edge of the operating panel **B** is not at the same height **X** as the bottom edge of the adjacent kitchen drawer **C**, a levelling piece (compensator **K**) must be mounted (see Installation instructions J182.51).



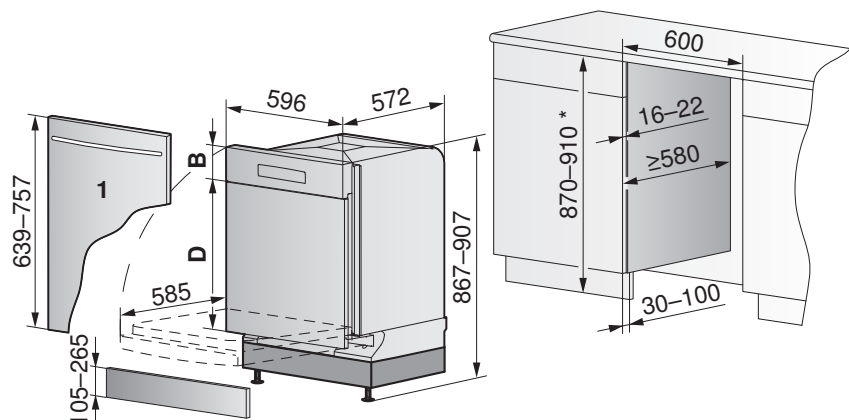
Compensators contained in the set:
 8 mm, 12 mm, 16 mm



For stronger springs, see Accessories (see page 138)

For particularly heavy decor panels, use door hinge brake art. no. 1011228.

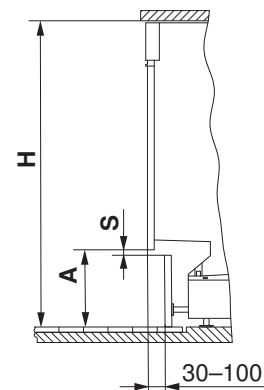
Base unit



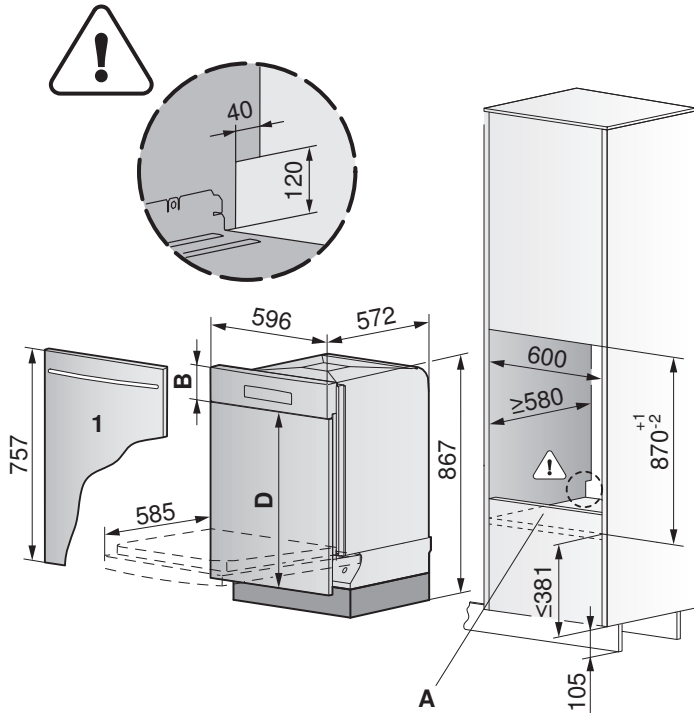
* If the niche height is greater than 910 mm, a plate must be placed underneath the appliance or an extra-long decor panel must be used.

Base unit	Black glass	Fully integrated
Operating panel B incl. compensator	124–140 mm	-
Decor panel D	496–632 mm	639–757

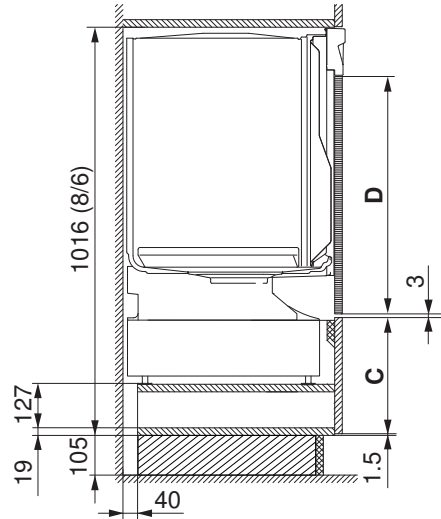
Dimension A in mm	Niche height H in mm					Min. S in mm
	870	880	890	900	910	
Min.	107	117	127	137	147	2
	117	127	137	147	157	2
	127	137	147	157	167	2
	137	147	157	167	177	2
	147	157	167	177	187	2
	157	167	177	187	197	2
	167	177	187	197	207	2
	177	187	197	207	217	2
	187	197	207	217	227	5
	197	207	217	227	237	10
	207	217	227	237	247	15
	217	227	237	247	257	23
Max.	225	235	245	255	265	30



Tall unit

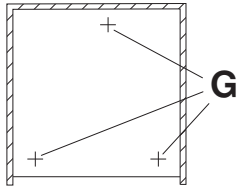


Cross-section of installation example



C Removable lower front panel (251)

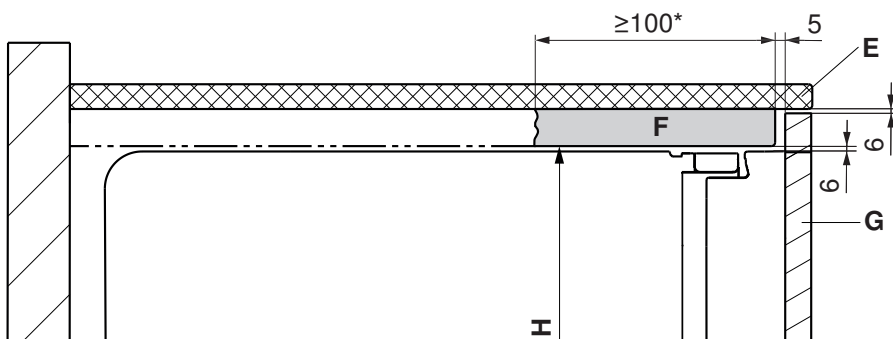
Niche floor A



- Load-bearing capacity of niche floor A: 100 kg
- Given a load of 75 kg per appliance foot G, the niche floor may sag by a max. of 1 mm.

Tall unit	Black glass
Operating panel B incl. compensator	124–140 mm
Decor panel D	616–632 mm

Installing extra-long decor panel

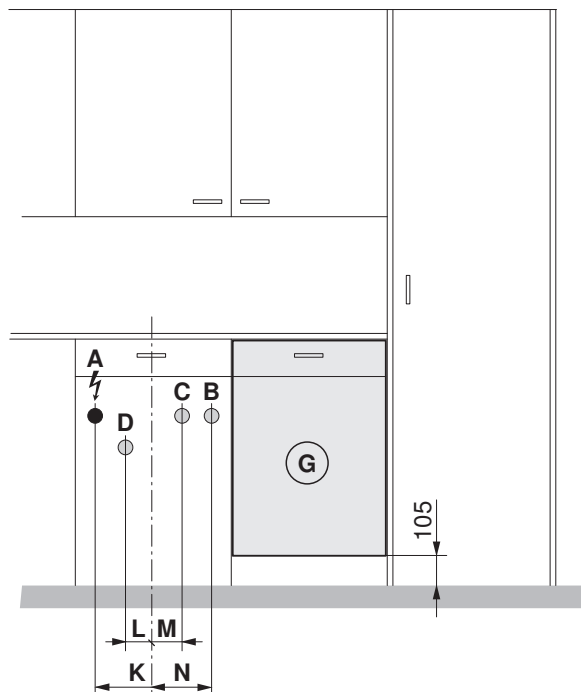


* A continuous soffit vent is recommended.

- E Worktop
- F Continuous soffit vent
- G Decor panel
- H Niche height

14 Adorina dishwashers

14.1 Electrical connection data / plumbing in



Designation		Connection from floor (plinth height 105 mm)	Connection in niche (from centre to connection)	Type of connection
A	Electrical connection	600 mm	K = 160 mm	Flush power socket 230 V / 400 V
B	Cold water	600 mm	N = 170 mm	G $\frac{3}{4}$ "
C	Hot water*	600 mm	M = 70 mm	G $\frac{3}{4}$ "
D	Outlet	400 mm	L = 110 mm	ø56 mm
G	Dishwasher in base unit	Connection in adjacent compartment left or right		

* Water connection at >60 °C is not recommended.

Electrical connection data



General information on the electrical connections can be found in section Overview of connections, ranges and dimensions (see page 5).

Appliance	Country group*	Mains connection	Fuse	Mains cable
Adorina 60 (41087)	C, F	230 V~ 50 Hz	10 A	1.7 m, with plug

* Key (see page 2)

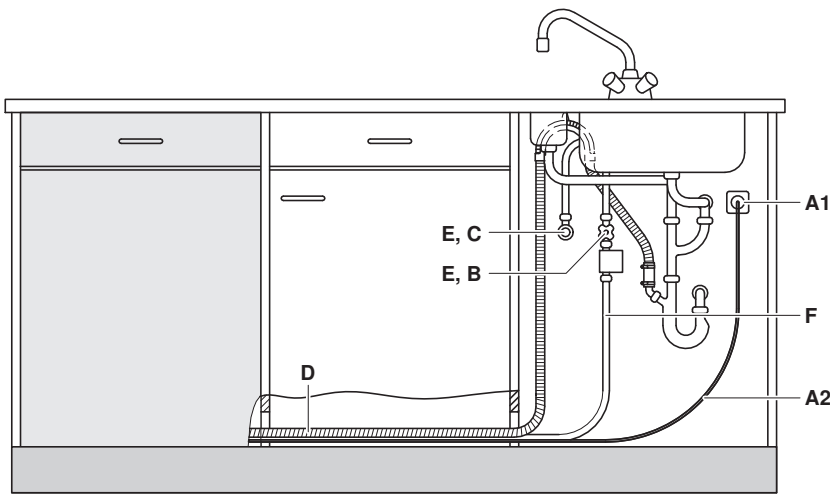
Plumbing-in data



For special cases with water hardness in excess of 50 °fH, an external water softener is recommended. For information on the level of water hardness, contact your local water authority.

Value		Nominal value	Minimum	Maximum
Mains pressure (0.1 MPa = 1 bar)	Static	0.3–0.4 MPa	0.1 MPa	1.0 MPa
	Flowing	–	0.08 MPa	1.0 MPa
Water hardness		–	0.5 °fH	50 °fH
Water inlet temperature	Cold water	–	5 °C:	35 °C:
	Hot water	–	40 °C:	60 °C:

Example of connection with extensions



Designation	GSA Adorina 60	
A1	Power socket	Yes
A2	Connection cable	Length 1.7 m
B	Cold water connection	Yes
C	Hot water connection	Yes
D	Drain hose	Length 1.7 m, internal diameter = 22 mm
E	Shut-off devices	Yes, 3/4"
F	Aquastop / water inlet with filter, G3/4"	Length 1.4 m

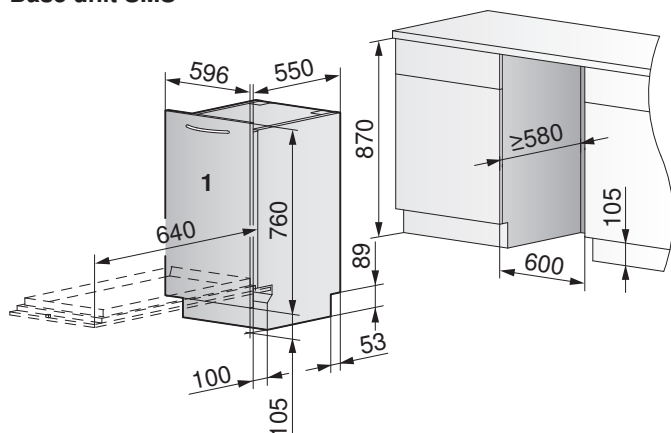
14.2 Adorina with niche width 60 cm



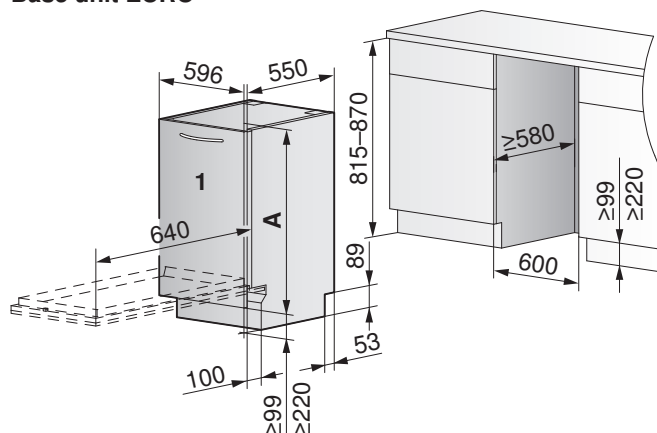
The weight of the front panel / decor system 1 may be 2.5–8.5 kg.

- The front panel / decor system (wood) 1 is fully integrated. This must be supplied on-site.

Base unit SMS



Base unit EURO



- A 650–720 mm: without SMS set
 730–760 mm: with SMS set

Nischenhöhe in mm

	810	820	830	840	850	860	870
220							X
210						X	X
200					X	X	X
190				X	X	X	X
180			X	X	X	X	X
170		X	X	X	X	X	X
160	X	X	X	X	X	X	X
150	X	X	X	X	X	X	X
140	X	X	X	X	X	X	SMS
130	X	X	X	X	X	SMS	SMS
120	X	X	X	X		SMS	SMS
110	X	X	X			SMS	SMS
105	X	X	X			SMS	SMS
100	X	X				SMS	
90	X						

- X Einbau ohne SMS-Bausatz
- SMS Einbau mit SMS-Bausatz H80266

15 Refrigerators

15.1 General notes



Insufficient ventilation can cause a malfunction and shorten the life of the appliance.

Heavy door panel weights shorten the service life of the door hinges. Observe maximum permissible weight.

Efficient repairs can only be guaranteed if it is possible to uninstall the whole appliance at any time without causing any damage.

In an open-plan kitchen and living room, higher noise emissions can be expected if the ventilation slits face into the room.

15.2 Electrical connection data

Appliance	Climate class	Mains connection	Fuse	Mains cable
Refrigerators				
CombiCooler V4000	SN-T	220–240 V~ 50 Hz	10 A	2.2 m, with plug
Prestige	SN-ST			
Prestige T	SN-T			
Jumbo 60i, Jumbo T	SN-T	220–240 V~ 50 Hz	10 A	2.1 m, with plug
Iglu 60i, Iglu T	SN-T			
FoodCenter				
Polaris S	SN-T	220–240 V~ 50 Hz	10 A	2.2 m, with plug
Winecoolers				
Winecooler SL 90	SN-ST	230 V~ 50 Hz	10 A	2.2 m, with plug
Winecooler UCSL 60	SN-ST	230 V~ 50 Hz	10 A	2.1 m, with plug

15.3 Ambient conditions



Condensate may form in the appliance in tropical conditions and this has to be taken into account in the planning.

Climate class	Minimum	Maximum
SN	+10 °C:	+32 °C:
N	+16 °C:	+32 °C:
ST	+16 °C:	+38 °C:
T	+16 °C:	+43 °C:

15.4 Niche ventilation

For trouble-free heat dissipation of the appliance, an air duct must be provided whose width is no greater than the width of the unit with an unobstructed passage of at least 200 cm² from the air inlet in the plinth area **A** to the air outlet at the back **B** and at the front at the top **C**.

If there are wall units the ventilation gap **x** must be selected according to the following table.

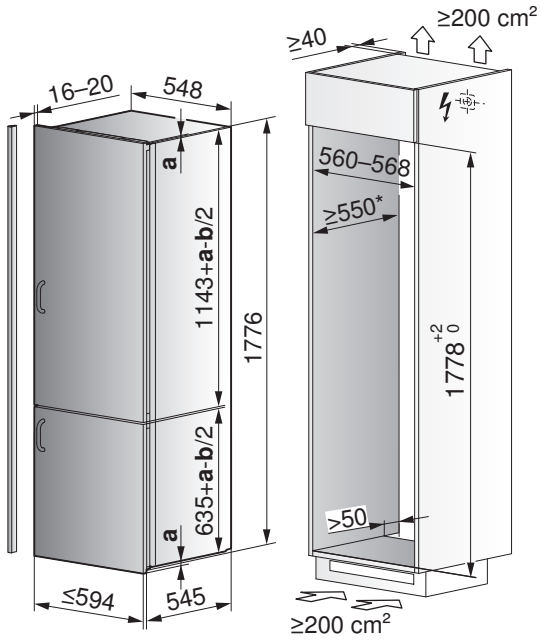
If, for design reasons, a smaller ventilation gap **y** is preferred for the front-facing air outlet at the top, then ventilation at the top must be possible across several unit widths. The dimensions for **y** are given in the following table.

If refrigerators/freezers are installed side by side, the cross-section requirements for the air duct are doubled (**width b**).

Dimensions per appliance	b (mm)	y (mm)	x (mm)	
	550–568	≥40	≥50	
	1100–1168	≥30	≥100	
	≥1650	≥20		

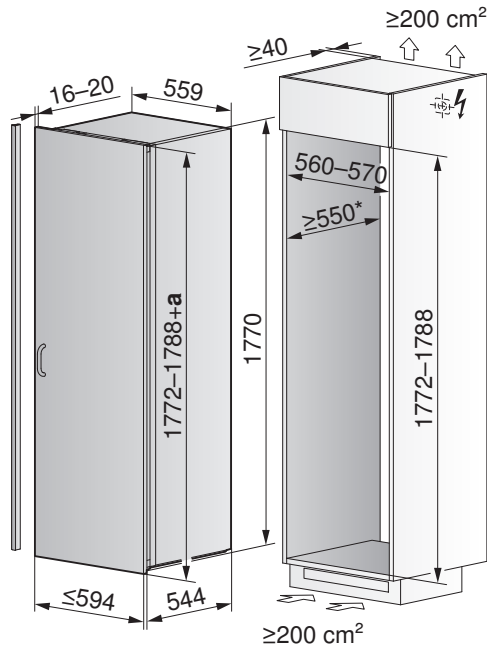
15.5 Refrigerators

CombiCooler V4000 (51086/51087)
CCOI178NBH6VI, CCOI178NBTH6VI (integrable)
 Maximum permissible weight of door panel:
 17.5 kg (top) / 12 kg (bottom)



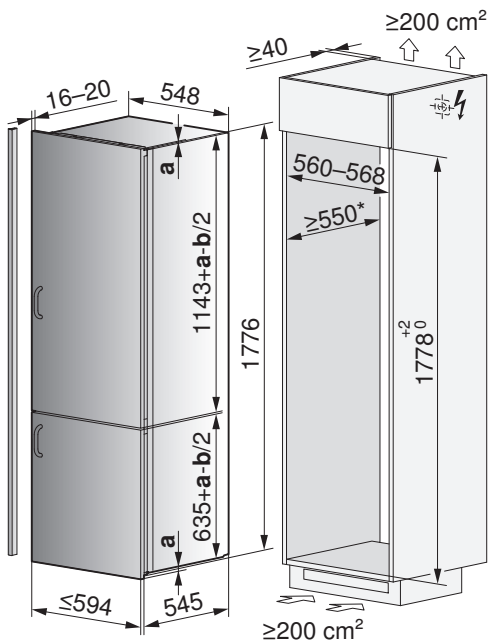
a Overlap, b Gap (≥4 mm)

Jumbo 60i (51078), Jumbo T (51092)
KJ60i, KJT (integrable)
 Maximum permissible weight of door panel: 26 kg



* = Recommendation: 560 mm.

Prestige (51044), Prestige T (51081)
KPRir, KPRil, KPRTir, KPRTil (integrable)
 Maximum permissible weight of door panel:
 17.5 kg (top) / 12 kg (bottom)



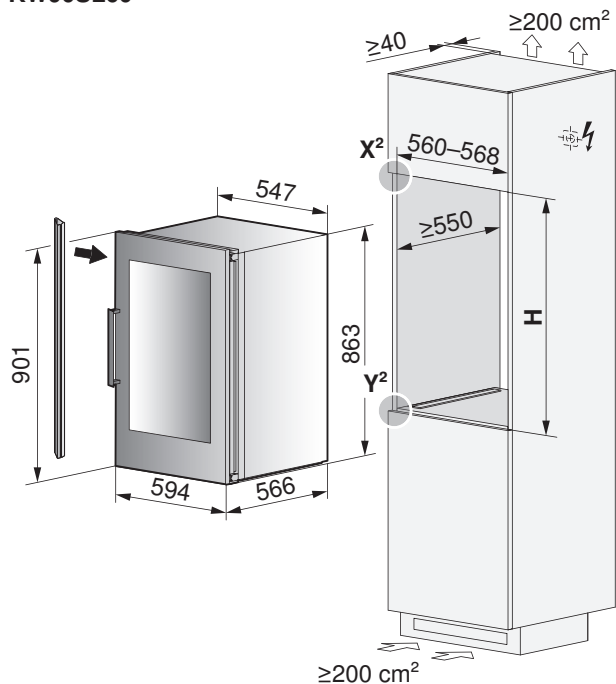
a Overlap, b Gap (≥4 mm), * = Recommendation: 560 mm.

15.6 Winecoolers

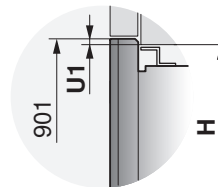


The installation kit for the assembly is included in the scope of delivery.

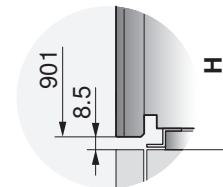
Winecooler 90 SL (51082)
KW90SL60



Detail X²



Detail Y²

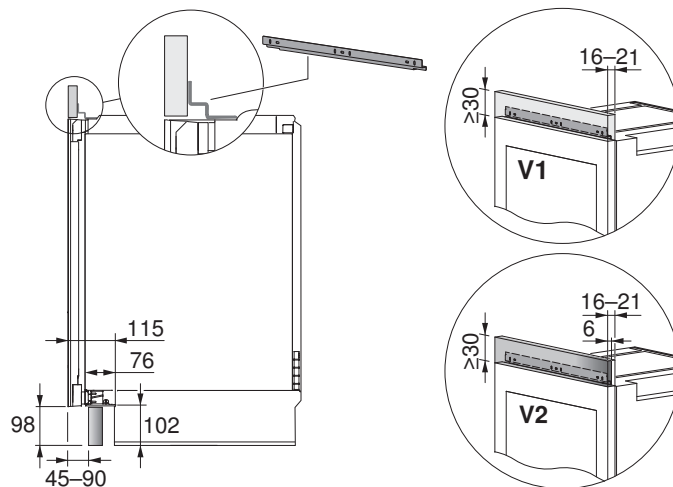
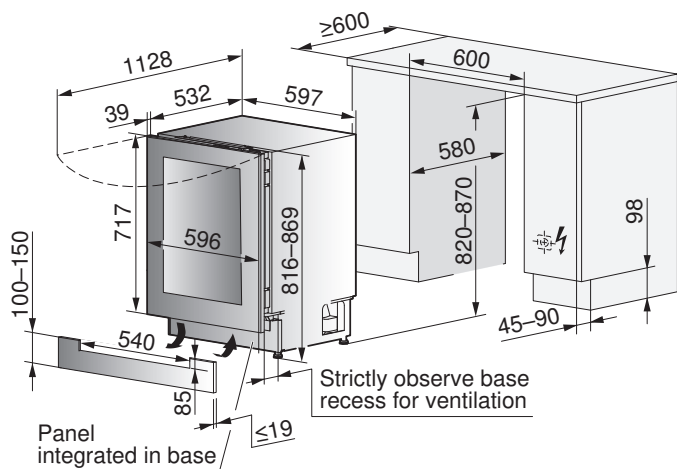


Model	Installation type	Niche height H	Installation kit art. no.	Installation kit height	Overlap U1
KW90SL60	EURO 90/60	906 ^{+2/0}	1031817	16 mm	4 mm

Winecooler UC SL 60i (51073)
KWUCSL60i (integrable)

Ventilation grille included in scope of Mounting angle: **Art. no. 1062627**
delivery.

Cover made from wood (V1) or mirror glass (V2)



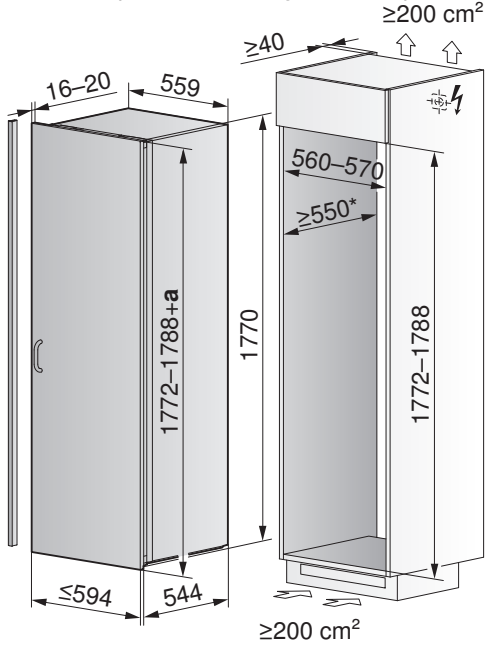
Model	Installation type	Niche height H
KWUCSL60i	EURO 60	820-870+2

15.7 Freezers

Iglu 60i (51077), Iglu T (51091)

KIG60i, KIGTil (integrable)

Maximum permissible weight of door panel: 26 kg



a Overlap, * = Recommendation: 560 mm.

Side-by-side installation

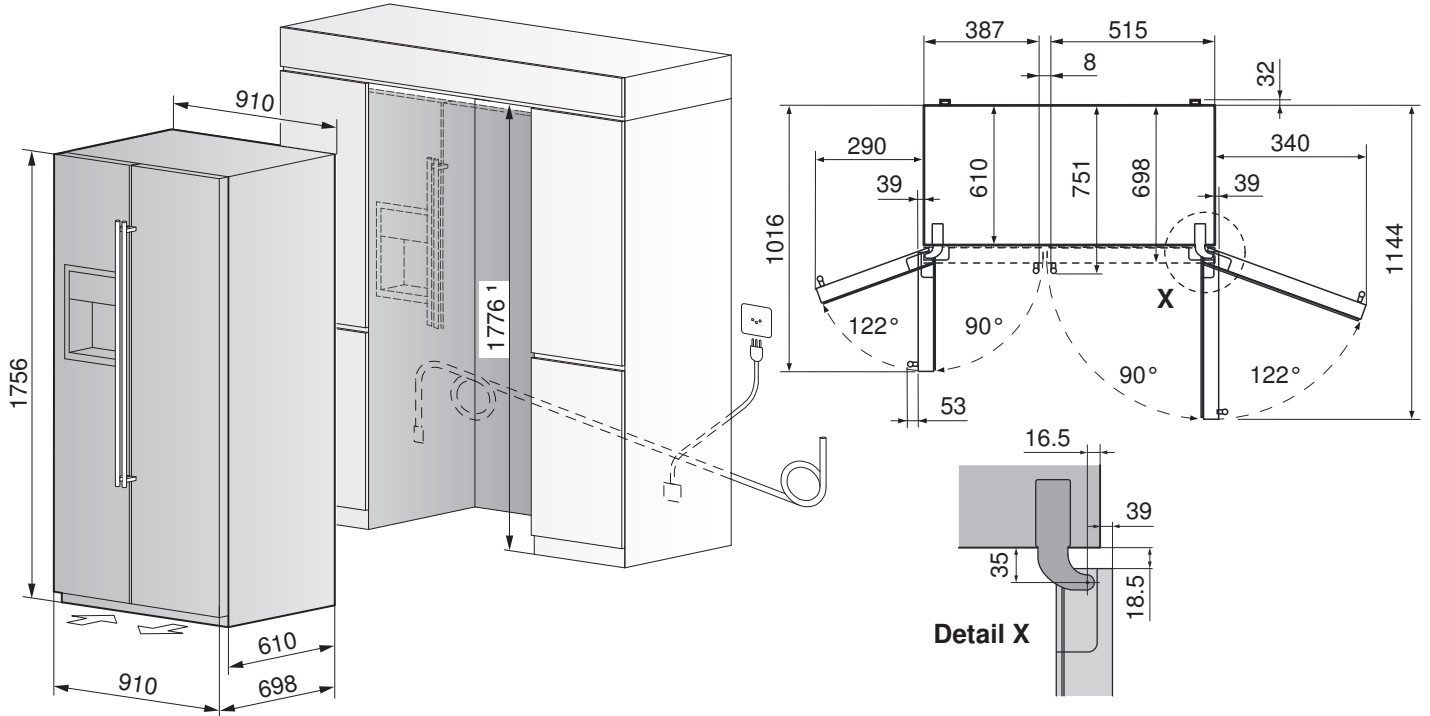


Iglu 60i and Jumbo 60i as well as the rest of our appliances can be installed left/right or vice versa. The appliances must be installed in a separate kitchen unit.

15.8 FoodCenter

Polaris S (52001/52003)

- 3 m reinforced water inlet hose at back of appliance (connection with 3/4" thread)
- Water inlet pressure: min. 2 bar (0.2 MPa), max. 8 bar (0.8 MPa).
- A water outlet does not have to be provided.
- Drawers can only be removed if the doors open at least 122° (freezer compartment) and 122° (refrigerator compartment).

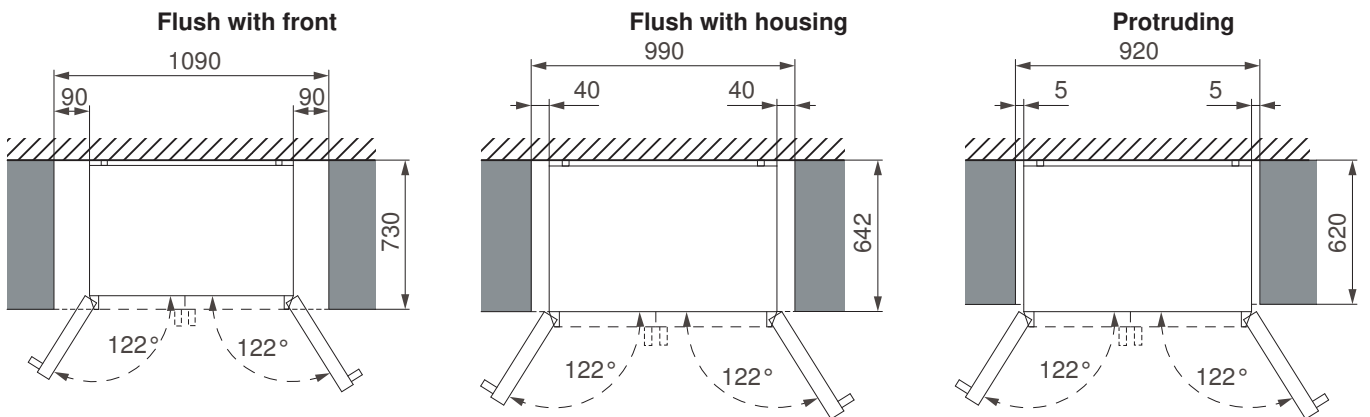


¹ The niche height must be observed for the ventilation of the appliance.



The appliance can be installed flush with front, flush with housing or protruding.

Installation variants



On-site connections (power, water inlet) are not permitted behind the appliance. It must be possible to pull the appliance out of the niche at any time without dismantling any part of the cabinet.

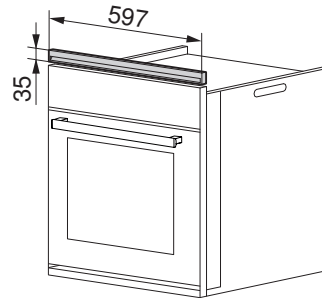
16 Accessories

16.1 Ovens / steam cookers / microwaves / coffee machines / vacuum drawers / warming drawers / system drawers

Compensation elements

Ventilation grille

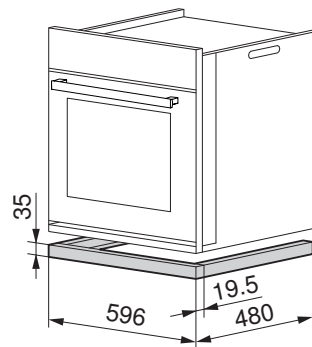
- Ventilation grilles are needed when glass ceramic hobs are installed over ovens.
- For installation above the control panel, see installation instructions J40254.



Niche width 60 cm		
Designation	Appliance height	Article no.
White	60 cm	H63161
Nero	60 cm	H63163
ChromeClass	60 cm	H63256

Adapter frame

- For installation, see installation instructions J73.050.
- Installation below the appliance

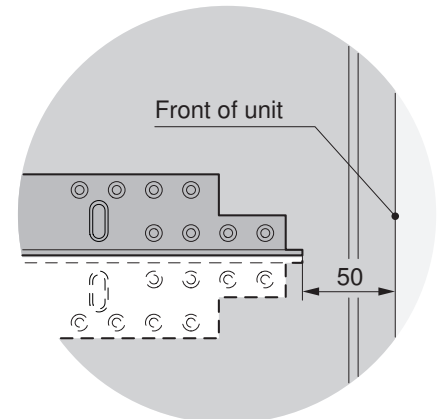


Niche width 60 cm		
Designation	Appliance height	Article no.
White	38.1/60 cm	K38137
Nero	38.1/60 cm	K38136
ChromeClass	38.1/60 cm	K48135
Black glass	38.1/60 cm	K38134
AluClass	38.1/60 cm	K38133

Angle set for combination possibilities

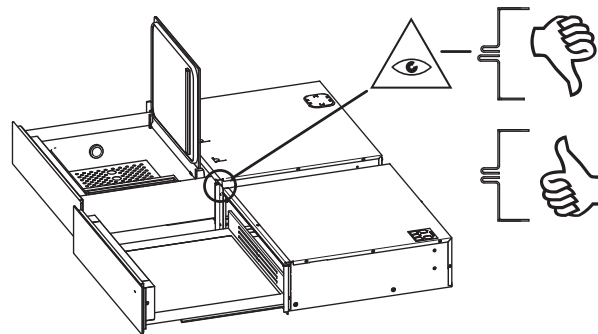
- For installation, see installation instructions J21021050.
- ▶ In the niche mount to the wood left and right.
- ▶ The appliance is placed on the mounting angle and pushed into the niche.

Art. no. K50572, construction type EURO



Trim kit (edge protection)

- For installation, see installation instructions:
1044771, 1044772, 1075859.



Design cover

The design cover covers the intermediate base for EURO niches and is for a combined installation of two appliances e.g. oven **1** and combi-steam cooker **2**. The cover is dimensioned for panel overlapping of 4 mm.

- For installation, see installation instructions J340050
- Depending on the thickness of the intermediate base **b**, two variants (nero) of the design cover **A** are available:

Art. no. K37158 (**b** = 16 mm / **a** = 10.5 mm)

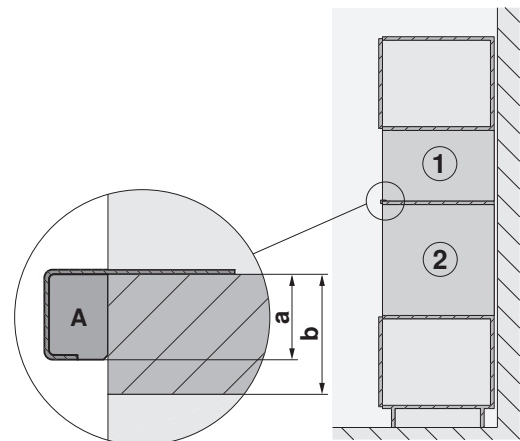
Art. no. K37159 (**b** = 19 mm / **a** = 13.5 mm)

Aesthetic profile

Assembly kit with aesthetic profile for installing Miwell next to another appliance.

- For installation, see installation instructions 1009019

Art. no.1009179



Drain hose

5 m drain hose for steam cooker with fixed water connection CSTXSLF.

Art. no.1012933



16.2 Hobs and gas hobs


Ventilation protective plate set for installation below induction hobs		Article no.	Installation instructions
Niche width 600 mm with seal	For all other induction appliances	H61083	J40248
Niche width 825 mm with seal		H61084	
Niche width 900 mm with seal		H61085	
Niche width 600 mm without seal	- for induction GK46TIMPS..., GK47TIMPS...	H61087	
Niche width 825 mm without seal		H61088	
Niche width 900 mm without seal		H61089	
Ventilation grille, height 35 mm for built-under short ovens		Article no.	Installation instructions
Type of construction 60-600			
- White		H63161	J40254
- Nero		H63163	
- ChromeClass		H63165	
- ChromeClass (TouchClean)		H63256	
Type of construction 60-450			
- Nero		H60039	J40250
- ChromeClass		H60041	
- ChromeClass (TouchClean)		H60053	
Type of construction 60-381			
- Nero		H60033	J40252
- ChromeClass		H60035	
- ChromeClass (TouchClean)		H60049	
Angle set for flush installation with straight stone cut		Article no.	Installation instructions
- Hob size 30		H63770	J004133
- Hob size 40		H63771	
- Hob size 60		H63772	
- Hob size 70		H63773	
- Hob size 80		H63774	
- Hob size 90		H63775	
- Hob size 90 Panorama		H62568	
Set for flush installation		Article no.	Installation instructions
Sealing strip set		H63283	J004133
Spacer set		H60330	
Adjusting brace set for mounting in glass worktops		Article no.	Installation instructions
Adjusting brace set		H62510	J41699
Intermediate support sets for combined installation		Article no.	Installation instructions
Stainless steel intermediate support for the surface-mounted combination of several hobs is not available in Germany .		1014361	1013773
Black intermediate support for the surface-mounted combination of several hobs is not available in Germany		1019199	
Side strips for combination installation with Teppan Yaki and hob hood		1028587	
Intermediate support (2× contained in set) for the flush-mounted combination of several hobs		H63789	1014381



Special gas hobs	Article no.	Installation instructions
Gas deflector for DSMS combination and gas hob	1031218	-
Sealing ring for gas connection, flat	1030096	-
Installation accessories for hobs	Installation instructions	
Instant adhesive for installation of the steel angle (50 ml)	B11657	
Straight mixing nozzle	B11656	
Applicator gun	-	
Sealing strip set (tape and spacer material)	H63283	
Sealing tape 10 × 3 × 2800	86392887	
Sealing tape 5 × 1.5 × 2552	H62377	
Spacer set	H60330	
TREMCLEAN isopropyl alcohol (1000 ml)	1056609	
Black silicone FA880 (310 ml)	B11555	
Anthracite silicone FA880 (310 ml)	B11556	
White silicone FA880 (310 ml)	1031313	
Stone grey silicone FA880 (310 ml)	1031314	
Marble smoothing agent AA320 (1000 ml)	B11557	
Fugenboy (silicone finishing tool)	B75158	

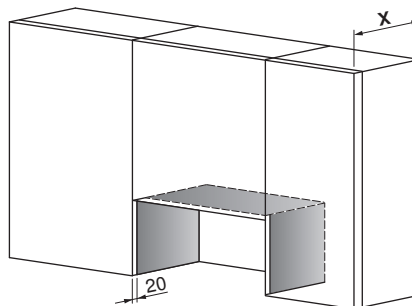
Nozzle sets for gas hobs in section 9.3 (see page 62)

16.3 Range hoods

 Technical information on the range hoods can be found in the document J32836 «TechInfo for range hoods».

Protective plate for side walls

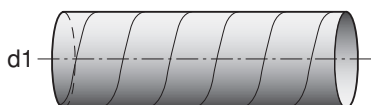
The protective plates for the side walls are needed to protect the sides of the wall unit from grease and moisture.



Designation	Dimensions (height x depth)	Wall unit depth x	Colour	Article no.
Protective plate for side walls	235 x 310 mm	330 mm	White	K26092
Protective plate for side walls	235 x 310 mm	330 mm	Nero	K26093
Protective plate for side walls	235 x 310 mm	330 mm	ChromeClass	K26094
Protective plate for side walls	235 x 330 mm	350 mm	White	H42792
Protective plate for side walls	235 x 330 mm	350 mm	Nero	H42791
Protective plate for side walls	235 x 330 mm	350 mm	ChromeClass	H42790
Protective plate for side walls	235 x 350 mm	370 mm	White	H42795
Protective plate for side walls	235 x 350 mm	370 mm	Nero	H42794
Protective plate for side walls	235 x 350 mm	370 mm	ChromeClass	H42793

Helically wound pipes

Helically wound pipe



Description

Strong, helically wound pipe, sendzimir galvanized
 Material thickness 0.5 mm
 1 à 3 m

Art.-no.

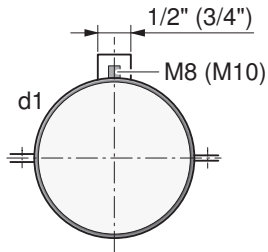
H42028
 H42029

d1

ø125 mm
 ø150 mm

Fastening elements

Pipe clip with thread

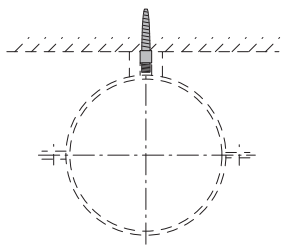


Description

For mounting the helically wound pipe
2-part set with sound insulation insert, incl. screws and nuts
Galvanized steel, thread M8

Art. no. d1
H42050 $\varnothing 150$ mm

Double-threaded pin M8, galvanized

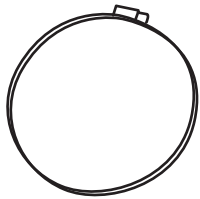


Description

For mounting the pipe clip in the concrete wall
Length 40 mm

Art. no.
H42057

Quick-locking hose clamp

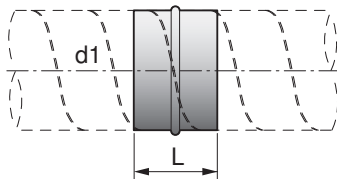


Art. no.

33121304 $\varnothing 110-130$ mm
33121336 $\varnothing 150$ mm

Connecting nipples / connecting pipes

Connecting nipple

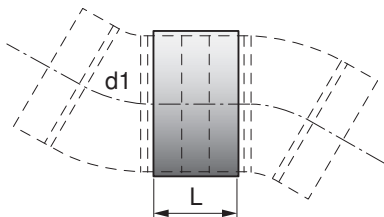


Description

Sendzimir galvanized sheet steel
L = 80 mm

Art. no. d1
H42031 $\varnothing 150$ mm

Connecting pipe



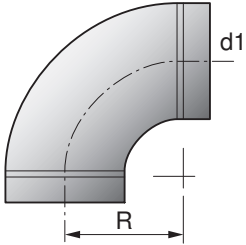
Description

Sendzimir galvanized sheet steel
L = 90 mm

Art. no. d1
H42032 $\varnothing 125$ mm
H42033 $\varnothing 150$ mm

Elbows

Elbow 90°



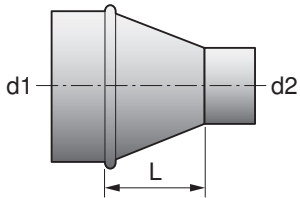
Description

Elbow, pressed, $R = d1$
Use with flexible and rigid pipes
Sendzimir galvanized sheet steel

Art. no.	d1
H42034	ø125 mm
H42036	ø150 mm

Reducers

Reducer



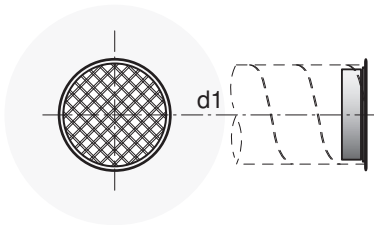
Description

Pressed version, $L = 22$ mm
Sendzimir galvanized sheet steel

Art. no.	d1
H42040	ø150–125 mm

Pipe end pieces

Pipe end piece



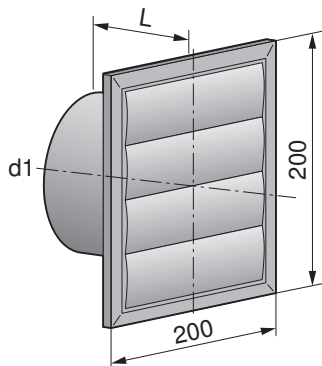
Description

Connection with grille
Sendzimir galvanized sheet steel

Art. no.	d1
H42048	ø150 mm

Weather protection grilles

Weather protection grille made from plastic

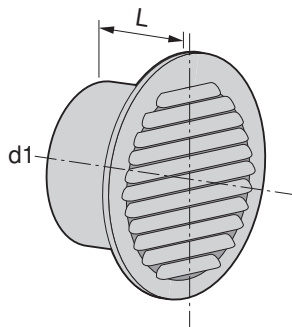


Description

Weather protection grille without a non-return flap valve, square with connection piece weatherproof, L = 40 mm

Art. no.	d1
H42080	ø150 mm, white

Weather protection grille



Description

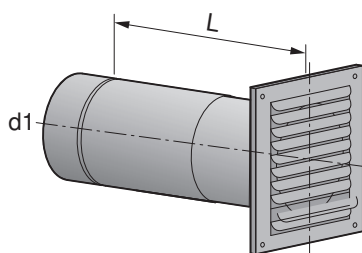
Weather protection grille without a non-return flap valve, round, pressed, made from aluminium

With fly screen and connection piece, L = 45 mm

Art. no.	d1
H42064	ø150 mm

Wall pipes

Telescopic wall pipe with non-return flap valve



Description

3-part set, L = Wall thickness 300–460 mm

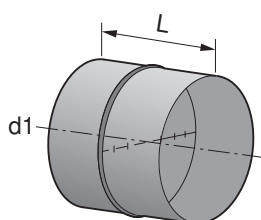
Sendzimir galvanized sheet steel

Grille made from aluminium; can be painted

Art. no.	d1
H42065	ø125 mm
H42066	ø150 mm

Flaps

Non-return flap valve with sealing lip



Description

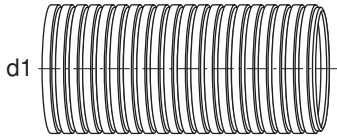
Made from robust sheet steel

For flexible and rigid pipes, L = 80 mm

Art. no.	d1
H42061	ø125 mm
H42062	ø150 mm

Hoses

Aluminium hose, semi-flexible

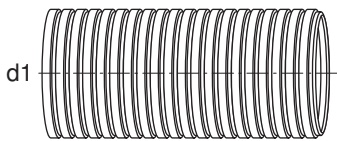


Description

Round Aluflex, semi-flexible
Dimensionally stable, flame resistant
1 à 3 m

Art. no.	d1
H42051	ø125 mm
H42052	ø150 mm
H40168	ø160 mm

Aluminium hose, highly flexible

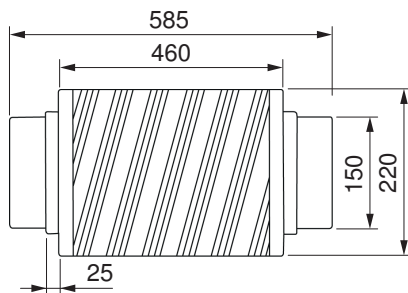


Description

Round Aluflex, highly flexible
Internal bending radius 30–60 mm
Dimensionally stable, flame resistant

Art. no.	d1
H42053	ø125 mm, 1 à 10 m
16955803	ø150 mm, 1 à 15 m

Noise insulation, aluminium



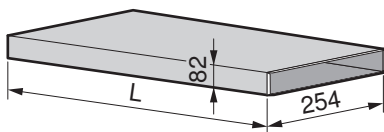
Description

Noise insulation made of aluminium for ø150 mm pipe dimension.
Noise reduction of up to 22 dB.

Art. no.	ø150 mm
1030591	

Flat channels

Flat channel

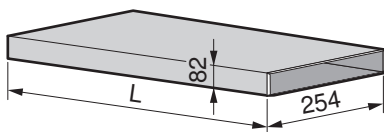


Description

Exhaust ducting system with very low installation height of 82 mm
Sendzimir galvanized sheet steel
Corresponds to nominal diameter ø150 mm

Art. no.	L = 1000 mm
H42068	
H42069	L = 600 mm

Reinforced flat channel

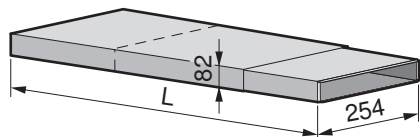


Description

Exhaust ducting system with very low installation height of 82 mm
Sendzimir galvanized sheet steel
With reinforcement for concreting in
Corresponds to nominal diameter ø150 mm

Art. no.	L = 600 mm
H42085	
H42086	L = 1000 mm

Telescopic flat channel



Description

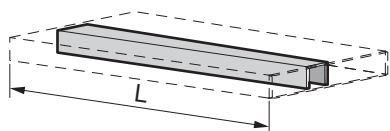
Exhaust ducting system with very low installation height of 82 mm
 Sendzimir galvanized sheet steel
 Corresponds to nominal diameter $\varnothing 150$ mm

Art. no.

H42070

L = 275–535 mm

Reinforcing rib for flat channel



Description

For concreting in flat channel

Art. no.

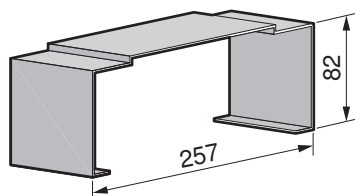
H42071

L = 600 mm

H42072

L = 1000 mm

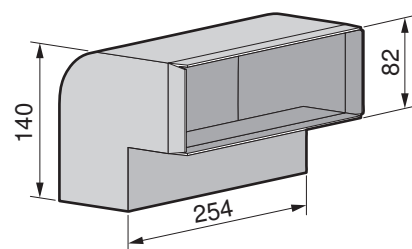
Mounting bracket for flat channel



Art. no.

H42073

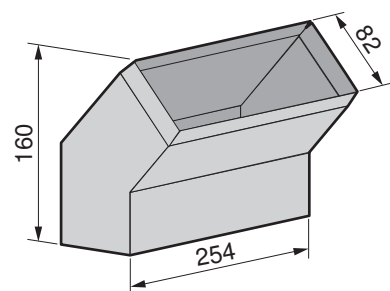
Elbow 90°, vertical, for flat channel



Art. no.

H42074

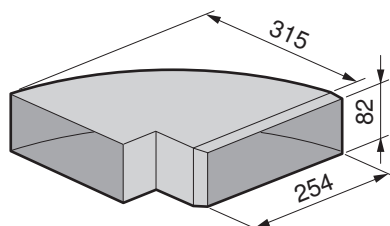
Elbow 45°, vertical, for flat channel



Art. no.

H42075

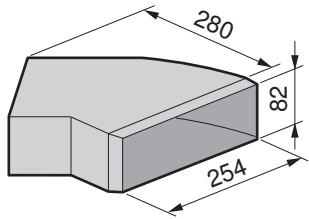
Elbow 90°, horizontal, for flat channel



Art. no.

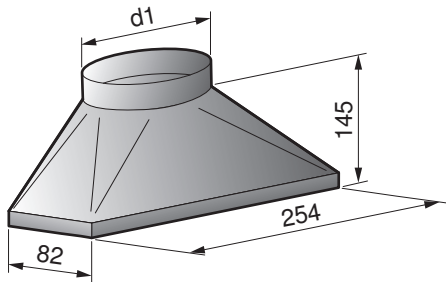
H42076

Elbow 45°, horizontal, for flat channel



Art. no.
 H42077

Transition piece for flat channel



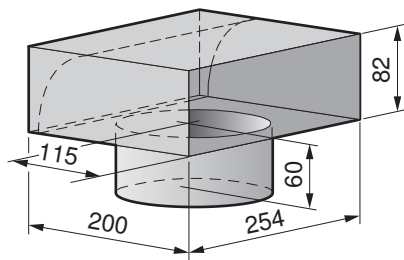
Description

For transition from round to flat

Art. no.
 H42078

d1
 ø150 mm

Diverter piece on flat channel

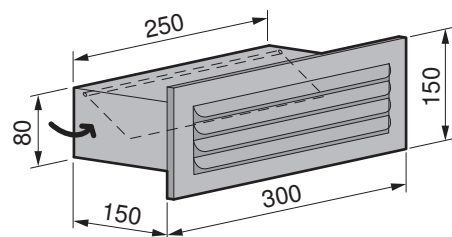


Art. no.

H42087
 H42079

Connection ø125 mm
 Connection ø150 mm

Flat channel wall box



Description

With non-return flap valve and weather protection grille

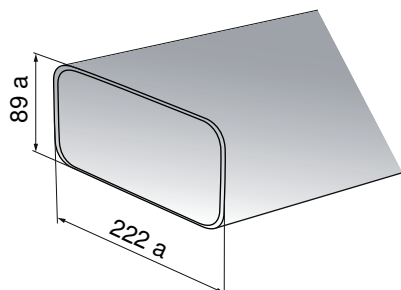
Art. no.
 H42054

Flat channel systems made of plastic



Accessory parts made of non-fireproof plastic.

Flat channel



Description

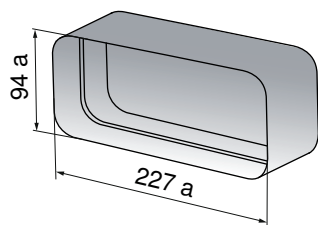
Ventilation duct without sleeve

Art. no.

1012780

L = 1000 mm

Channel connector



Description

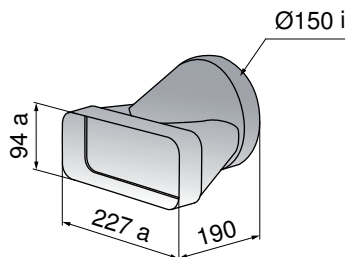
For straight ventilation pipes

Art. no.

1012781

L = 80 mm

Transition piece for flat channel



Description

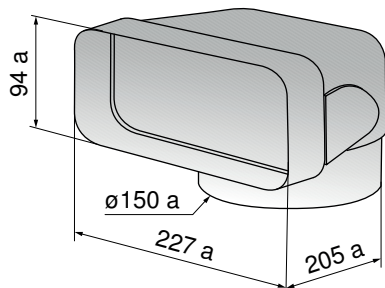
Formed sleeve for direct transition from flat to round

Fluidically optimized

Art. no.

1012782

Diverter piece on flat channel 90°



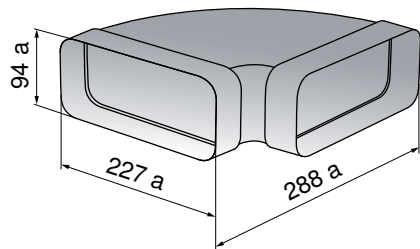
Description

For direct hood connection with air guides and formed sleeve at one end

Art. no.

1012783

Elbow 90°, horizontal

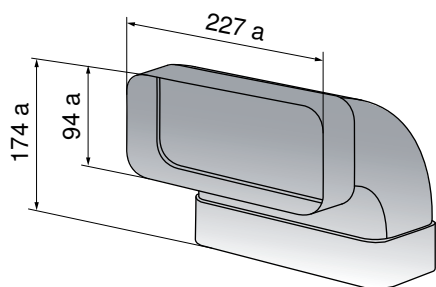


Description

With air guides and formed sleeve at both ends

Art. no.
 1012784

Elbow 90°, vertical

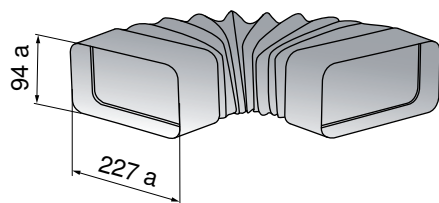


Description

With air guides and formed sleeve at both ends

Art. no.
 1012785

Flexible elbow, flat



Description

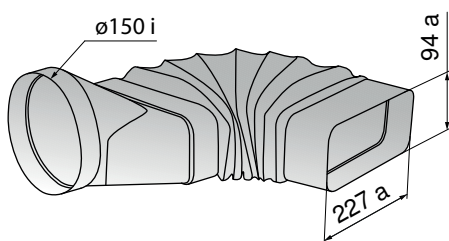
For bends and turns up to 90°

Adapter, flexible, angular to angular, with formed sleeve

Art. no.
 1012786

L = 240–600 mm

Flexible elbow, round onto flat



Description

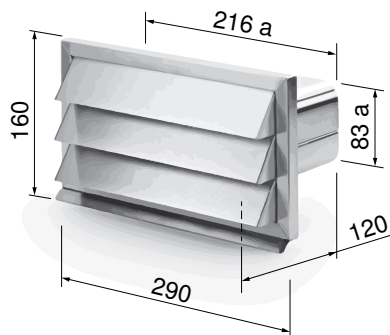
For bends and turns up to 90°

Adapter, flexible, round to angular, with formed sleeve

Art. no.
 1012787

L = 160–550 mm

Weather protection grille for plastic flat channel



Description

Ventilation grille for plastic flat channel, ChromeClass with non-return flap valve. Compatible with flat channel art. no. 1012780

Art. no.
 1030590

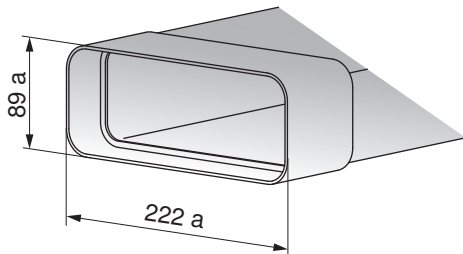
290 × 160 mm

Flat channel systems made of metal



Accessory parts made of fireproof metal

Flat channel



Description

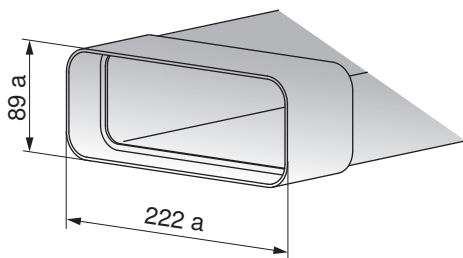
Flat channel with seal

Art. no.

1046627

L = 500 mm

Flat channel



Description

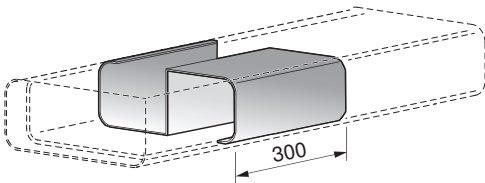
Flat channel with seal

Art. no.

1046628

L = 1000 mm

Reinforcing rib for embedding in concrete



Description

Reinforcing rib for embedding in concrete (tread load of up to 100 kg)

1× required for use in flat channel (L=500mm) art. no. 1046627

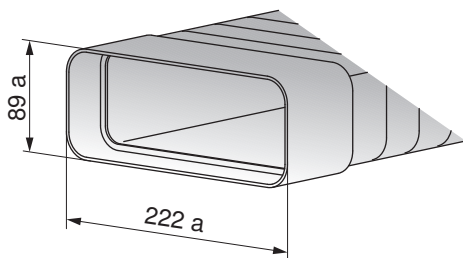
2× required for use in flat channel(L=1000mm) art. no. 1046628

Art. no.

1077495

L = 300 mm

Flat channel, flexible



Description

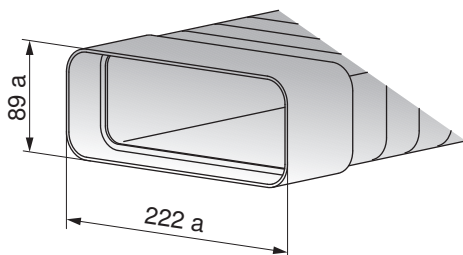
Flat channel, flexible, with seal

Art. no.

1046629

L = 500 mm

Flat channel, flexible



Description

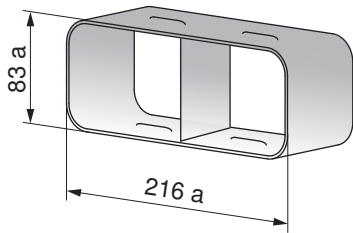
Flat channel, flexible, with seal

Art. no.

1046635

L = 1000 mm

Channel connector



Description

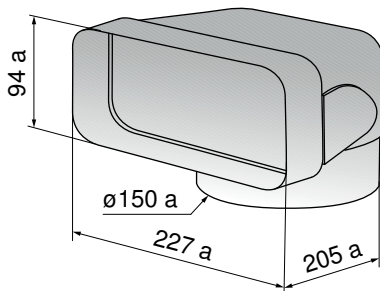
For straight flat channels

Art. no.

1046636

L = 100 mm

Diverter piece on flat channel 90°



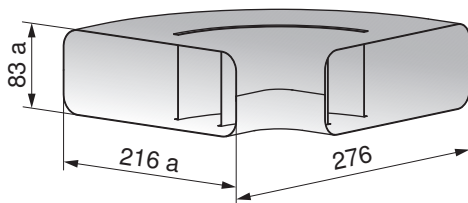
Description

For direct hood connection with air guides and formed sleeve at one end

Art. no.

1046638

Elbow 90°, horizontal



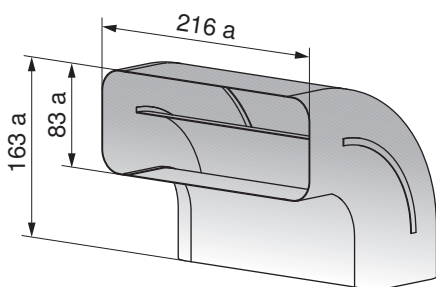
Description

Elbow with air guides

Art. no.

1046639

Elbow 90°, vertical



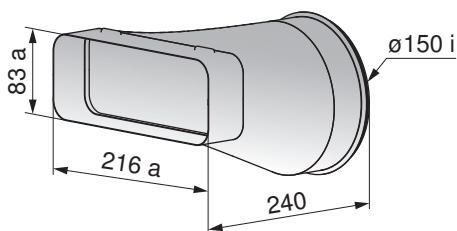
Description

Elbow with air guides

Art. no.

1046643

Transition piece for flat channel



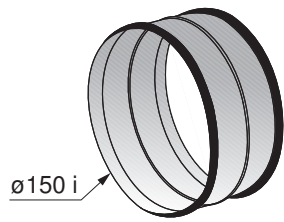
Description

For direct transition from flat to round, fluidically optimized

Art. no.

1046644

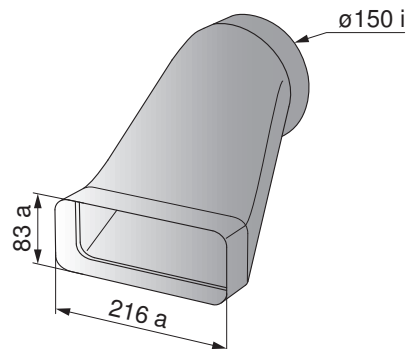
Pipe connection



Art. no.
1046646

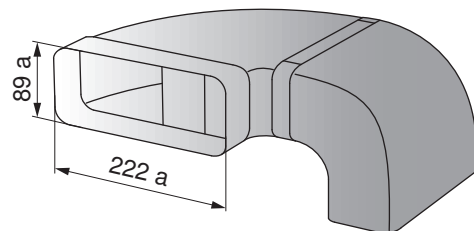
d = 150 mm

Offsetting end piece on base motor



Art. no.
1046649

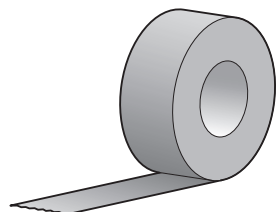
Pipe set for hob hoods



Art. no.
1046650

Sealing tape

Aluminium tape



Description

Fabric-reinforced tape, with protective film, 50 mm x 50 m roll

Art. no.
H42067



16.4 Dishwashers

Adora

- Suitable length for tall unit according to specifications in this planning aid.
- For base unit, calculate correct niche dimensions working back from decor panel length.
- For questions, please contact Customer Services.

Stainless steel fronts (option)

Integrated	Width	Height	Depth	Article no.
Decor set 60 standard ChromeClass	596 mm	632 mm	20 mm	W83523
Decor set 60 extra height ChromeClass	596 mm	697 mm	20 mm	W83524

Black glass fronts (option)

Integrated	Width	Height	Depth	Article no.
Decor set 60 standard black glass	596 mm	632 mm	20 mm	W83526
Decor set 60 extra height black glass	596 mm	697 mm	20 mm	W83527

Diverse sets

Set	Article no.	Remarks
Conversion kit for slide plate	W83583	In place of the plinth runners, for the installation on a plinth or for the tall unit.
Installation set, fully integrated, two-part	W83931	For a two-part, fully integrated decor front panel.
Compensator set, ChromeClass	W81302	Supplied for «ChromeClass» appliances.
Compensator set, black	W82043	Additional order for «Black glass» appliances. The set can also be used for «ChromeClass» appliances.
Plinth runner	W82930	For height compensation in a niche
Work surface protection	W70163	Protection against escaping moisture
CS set containing strong spring	W84603	For heavier decor panels, standard height, weight of decor panel max. 10.5 kg
CS set containing strong spring	W84604	For heavier decor panels, extra height, weight of decor panel max. 10.5 kg
CS set containing long hoses SL	1032108	Conversion to 3 m Aquastop and 3 m drain hose*
CS set containing long hoses N/S	1032107	Conversion to 3 m Aquastop and 3 m drain hose*
CS set containing door hinge brake	1011228	For very heavy decor panels for appliances with door opener

* Conversion to be carried out by trained personnel only.

16.5 Refrigerators

Designation	Article no.	Remarks
Supplementary kit 60 cm (filler strip)		
KRi	H71755	Length 1530 mm
KCi, KPRPieco, KPRi, KPRT	H71756	Length 1780 mm
Installation set for stone cladding		
KK60i	H72998	-



Index

A		F	
Accessories	122	Fault currents.....	5
Compensation elements for combination possibilities.....	123	Flat channel systems made of metal	135
Design cover.....	123	Flat channel systems made of plastic.....	133
Drain hose	123	FoodCenter.....	121
for ovens, steam cookers, microwaves	122	Frequency stability.....	5
for range hoods	126	Frequency variation	5
for refrigerators	138	Front dimensions of the appliances	
Gas hobs	125	Manufacturing tolerance	10
Installation for hobs	125	G	
Adapter frame.....	122	General operating conditions.....	5
Adjusting brace set.....	124	Glass ceramic hobs	
Adorina dishwashers	113	Examples for combined installation	69
Angle set.....	124	Induction hobs	30
Angle set for combination possibilities.....	123	H	
B		Hobs	
Built-in range hoods.....	90	Accessories	122
C		I	
Coffee machines		Induction hobs	30
Accessories	122	Induction woks.....	30
Combination possibilities		Installation dimensions	5
Steam cookers.....	26	EURO	9
Compensation elements		Front dimensions	10
Adapter frame.....	122	Installing	
Angle set for combination possibilities.....	123	EURO	9
Design cover.....	123	Intermediate support set.....	124
Ventilation grille	122	Island hoods	87
Compensator	103	M	
Country groups	2	Microwaves.....	23
D		Accessories	122
Design cover.....	123	N	
Dishwashers		Notes	141
Accessories	138	O	
Compensator	103	Operating conditions	
Electrical connection data.....	99, 113	General.....	5
Plumbing-in data.....	99	Ovens	
Dishwashers with heat pump.....	107	Accessories	122
Compensator	110	Electrical connection data.....	17
Electrical connection data.....	108	P	
Plumbing-in data.....	108	Plumbing in	
E		Adorina dishwashers	113
Electrical connection data		Dishwashers Adora	98, 107
Adorina	113	Positions of electrical connections.....	8
Dishwashers Adora	98, 107	Range hoods	88
Ovens	17		
Warming and system drawers	18		
Electrical connections			
Fault currents.....	5		
General operating conditions.....	5		
Microwaves.....	23		
Position.....	8		
Residual current devices (RCD)	5		
Steam cookers.....	11		
Electrical connections and installation dimensions.....	5		

**R**

Range hoods	73
Built-in range hoods.....	90
Connecting nipples.....	127
Connecting pipes.....	127
Elbow.....	128
Fastening elements	127
Flaps.....	129
Flat channels	130
Helically wound pipes	126
Hoses	130
Island hoods	87
Pipe end pieces.....	128
Positions of electrical connections.....	88
Reducers	128
Sealing tape.....	137
TechInfo for range hoods	126
Wall hoods.....	88
Wall pipes.....	129
Weather protection grilles.....	129
Range hoods:Special hoods.....	74
Refrigerators.....	116
Residual current devices (RCD).....	5

S

Sealing strip set.....	124
Spacer set	124
Special hoods.....	74
Steam cookers.....	11
Accessories	122
Installing	15
Plumbing in.....	16
Supplementary documents.....	2
TechInfo for range hoods	126
Symbols used.....	2
System drawers.....	18
Accessories	122

T

TechInfo for range hoods	126
--------------------------------	-----

U

Use at altitude.....	5
Useful links	2

V

Vacuum drawer	
Accessories	122
Vacuum drawers.....	18
Validity.....	6
Ventilation grille	122, 124
Ventilation protective plate set.....	124

W

Wall hoods.....	88
Warming and system drawers	
Electrical connection data.....	18
Warming drawers	18
Accessories	122
Winecoolers.....	119



17 Notes





CONTACT IN SWITZERLAND

V-ZUG Ltd
Industriestrasse 66
6302 Zug/Switzerland
www.vzug.com

Service & Support International
Tel. +41 58 767 67 78
service-support@vzug.com

